

CADEE X
DEFENCE 

Owning a Formula 1 car will immediately make you look good but won't automatically make you win podiums unless you perfect your driving skills.

A Precision Rifle is similar, the rifle is just as good as its shooter's skills. Environmental data gathering, advanced ballistic calculation and wind reading are hard to master. The synergy between the shooter, his rifle, the ammo and the shooting conditions must be absolutely perfect in order to make the shot count.

At Cadex we pride ourselves at manufacturing the absolute best sniper rifle money can buy, but also at being able to train beginner to advanced level shooters. It's not a coincidence that 3 of the 5 longest sniper kills ever recorded have been by Canadian shooters. Latest achievement being done at 3540m (3871 yards). There's no doubt that Canada has some of the best snipers trainers in the world and has perfected this art.

Our team is composed of former military snipers. Our instructors can provide training in Canada or overseas. Their track records vary between Special Forces training, Law Enforcement training up to recreational shooters interested to jump in the PRS/ELR game. Training is offered in English or French at their installations or in the end-users country if needed. We are equipped with the best gear on the market, guns, optics, ammo, steel or electronic targetry, etc.

The dream of hitting a target at extreme range is not far away. If you want to be part of the best you must train with the best. Contact us to be put in contact with our team.

Rob Furlong, former Canadian Sniper and President of Rob Furlong's Marksmanship Academy (RFMA) is looking forward to push your limits.




EXTREME RANGE SUPREMACY®

WE ARE PROUD TO HAVE BEEN AWARDED ISO 9001:2015 CERTIFICATION



By achieving this level of certification, we have demonstrated that we consistently meet high quality standards. We would also like to take this opportunity to express our sincere thanks to our customers for their continued commitment and loyalty. We look forward to bringing our business to new heights in the years to come and putting the emphasis of quality assurance and innovation.

Introduction	1-4	
CDX-R7 series modularity	5-6	
Hunting rifles.....	7-10	
Precision rifles.....	11-26	
ELR rifles and left handed.....	27-32	
Available colors.....	33-34	
Chassis systems.....	35-54	
Barrels, actions & accessories.....	55-91	
Carbine & shotgun accessories	92-98	
Electro-optic & accessories	99-112	
Machine gun equipment.....	113-122	
Breaching equipment	123-126	
Vehicle equipment	127-130	
Cadex R&D solutions	131	
Cadex armor	132-134	
Special order products.....	135-136	
Spec sheets.....	137-142	
Promotional materials.....	143-144	
Contact us	145-146	

DELIVERING COMPLETE SOLUTIONS WORLDWIDE



PARTNER IN MISSION SINCE 1995 - EXTREME RANGE SUPREMACY® - MILITARY DRIVEN DNA

THE RIGHT TOOL FOR THE RIGHT APPLICATION

WILD GAME HUNTING



- **CDX-R7 CRBN** (P. 7-8)
- **CDX-R7 SPTR** (P. 9-10)

RECREATIONAL SHOOTING



- **CDX-R7 SHP** (P. 15-16)

PRS & LR COMPETITION



- **CDX-SS SEVEN S.T.A.R.S. PRO** (P. 11-12)
- **CDX-R7 LCP** (P. 17-18)
- **CDX-R7 FCP** (P. 19-20)

TACTICAL & MIL/LE GRADE



- **CDX-SS SEVEN S.T.A.R.S. COVERT** (P. 13-14)
- **CDX-30/300/33 LITE** (P. 23-24)
- **CDX-30/300/33 TAC** (P. 25-26)
- **CDX-R7 LITE** (Special request only)

EXTREME RANGE & ANTI-MATERIAL



- **CDX-40 SHDW** (P. 27-28)
- **CDX-50 TREMOR®** (P. 29-30)

ELR COMPETITION



- **CDX-40SS** (Single Shot) (P. 31)
- **CDX-50SS** (Single Shot) (P. 31)

MULTI-CALIBER SYSTEM



- **CDX-MC KRAKEN®** (P. 21-22)

CDX-R7 SERIES MODULARITY

BIG GAME HUNTING



CDX-R7 CRBN



CDX-R7 SPTR



PRS COMPETITION



CDX-R7 FCP



CDX-R7 LCP

Folding stock



CDX-R7 SERIES MODULARITY

PRS COMPETITION



CDX-R7 SHP



CDX-R7 PRO (Special request only)

Folding stock



LAW ENFORCEMENT



Folding stock

CDX-R7 COVERT (Special request only)

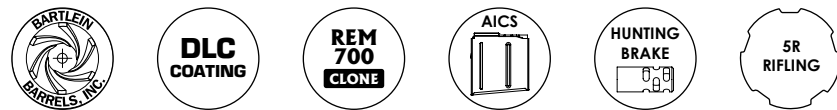


CDX-R7 LITE (Special request only)

Folding stock



CDX-R7 CRBN (CARBON)



After spending years perfecting our multiple tactical and long range platforms, it was time for Cadex to diversify its selection. This is why we added two rifles oriented towards the performance hunter.

The CDX-R7 CRBN rifle is designed with back country hunters in mind. Unlike other manufacturers out there aiming at the absolute lightest materials available, Cadex oriented this rifle towards a perfect balance between weight reduction and no compromise on stability. We equipped the CDX-R7 CRBN model with the best carbon fiber barrel on the market: Bartlein®.

If you are looking for a reliable hunting rifle of a superior craftsmanship, fit and finish than what is offered from mass production gun makers, the CDX-R7 CRBN is what you've been searching for.



Model	Caliber	Barrel length	Twist rate	Rifling	Magazine capacity*
CDX-R7 CRBN SA (short action)	6.5 Creedmoor	24"	1:8	5R	5
	6.5 PRC	24"	1:8	5R	3
	308 Win	24"	1:10	5R	5
	270 WSM	24"	1:9	5R	3
	300 WSM	24"	1:10	5R	3
CDX-R7 CRBN LA (long action)	270 Win	24"	1:9	5R	5
	NEW ▶ 7 PRC	24"	1:8	5R	5
	28 Nosler	26"	1:9	5R	5
	300 PRC	26"	1:8	5R	5
	300 RUM	26"	1:8	5R	5
	338 Lapua Mag	26"	1:9½	5R	5

See the complete spec sheet P. 137
*Higher capacity magazines sold separately

BARREL

- Bartlein® carbon fiber match grade barrel (stainless steel inner core).
- Semi-bull barrel profile with single point cut rifling technology for stable cold bore shot and premium precision.
- 5/8-24 threaded muzzle with hunting style muzzle brake installed.

CHASSIS

- Interchangeable pinned top rail in 0 MOA (aluminum), 20 or 30 MOA (stainless steel).
- Tundra Strike synthetic Monte-Carlo rifle stock with aluminum bedding blocks.
- Rubberized inserts at grip and fore-end locations for better handling.
- Comfortable high density neoprene cheek pad.
- Complete rifle stock features (P. 35-36).

ACTION

- 416 stainless steel, 1.350" custom grade bolt action repeater (Rem 700 footprint).
- DLC coated 4 lug bolt with ultra-fast 50° short bolt throw.
- Standard low profile hunting knob.
- ¼ turn tool-free bolt disassembly for an easy access to the firing pin.
- Rem style safety lever.

COLORS

- Cerakote non-reflective coating.
- See all colors available (P. 33-34).

MORE SPECIFICATIONS

- AICS magazine compatible, short and long action (P. 65).
- Selectable single/two stage DX2 EVO trigger (P. 69).
- Hunting hard case included (P. 73-74).
- Hunting style muzzle brake included (P. 65).
- Accessories table (P. 53).
- Action specifications (P. 58).
- Actions table (P. 141).



COMPATIBLE OPTIONAL ACCESSORIES



HUNTING HARD CASE INCLUDED



CDX-R7 SPTR (SPORTER)



Model	Caliber	Barrel length	Twist rate	Rifling	Magazine capacity*
CDX-R7 SPTR SA (short action)	6.5 Creedmoor	24"	1:8	5R	5
	6.5 PRC	24"	1:8	5R	3
	308 Win	20" / 24"	1:10	5R	5
	270 WSM	24"	1:9	5R	3
	300 WSM	24"	1:10	5R	3
CDX-R7 SPTR LA (long action)	270 Win	24"	1:9	5R	5
	NEW ▶ 7 PRC	24"	1:8	5R	5
	30-06 SPRG	24"	1:10	5R	5
	28 Nosler	26"	1:9	5R	5
	300 PRC	26"	1:8	5R	5
	300 RUM	26"	1:8	5R	5
	338 Lapua Mag	26"	1:9½	5R	5

See the complete spec sheet P. 137 *Higher capacity magazines sold separately

BARREL

- Cadex sporter profiled stainless steel barrel or optional Bartlein® barrel.
- Longitudinal barrel flutes for weight reduction, rigidity, faster cooling and nicer look.
- 5/8-24 threaded muzzle with hunting style muzzle brake installed.

CHASSIS

- Interchangeable pinned top rail in 0 MOA (aluminum), 20 or 30 MOA (stainless steel).
- Tundra Strike synthetic Monte-Carlo rifle stock with aluminum bedding blocks.
- Rubberized inserts at grip and fore-end locations for better handling.
- Comfortable high density neoprene cheek pad.
- Complete rifle stock features (P. 35-36).

After spending years perfecting our multiple tactical and long range platforms, it was time for Cadex to diversify its selection. This is why we added two rifles oriented towards the performance hunter.

Not everyone is a firm believer in carbon fiber barrels. Some people are more conservative and they prefer a traditional stainless steel barrel. For this reason, we designed the CDX-R7 SPTR, a variant equipped with a sporter profiled stainless steel barrel. We added some longitudinal flutes for weight reduction, faster cooling and nicer look. The CDX-R7 SPTR shares the same features as the CDX-R7 CRBN except the barrel type, which makes it more affordable.

If you are looking for a reliable hunting rifle of a superior craftsmanship, fit and finish than what is offered from mass production gun makers, the CDX-R7 SPTR is what you've been searching for.



ACTION

- 416 stainless steel, 1.350" custom grade bolt action repeater (Rem 700 footprint).
- DLC coated 4 lug bolt with ultra-fast 50° short bolt throw.
- Standard low profile hunting knob.
- ¼ turn tool-free bolt disassembly for an easy access to the firing pin.
- Rem style safety lever.

COLORS

- Cerakote non-reflective coating.
- See all colors available (P. 33-34).

MORE SPECIFICATIONS

- AICS magazine compatible, short and long action (P. 65).
- Selectable single/two stage DX2 EVO trigger (P. 69).
- Hunting hard case included (P. 73-74).
- Hunting style muzzle brake included (P. 65).
- Accessories table (P. 53).
- Action specifications (P. 58).
- Actions table (P. 141).



*Riflescope and scope mount sold separately

COMPATIBLE OPTIONAL ACCESSORIES

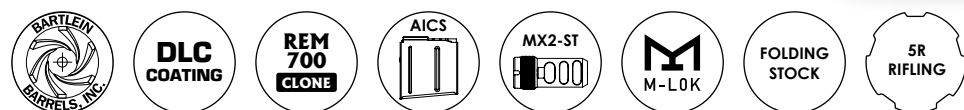


HUNTING HARD CASE INCLUDED



Hunting hard case (More details on pages 73-74)

CDX-SS SEVEN S.T.A.R.S. PRO



Model	Caliber	Barrel length	Twist rate	Rifling	Magazine capacity
CDX-SS SEVEN S.T.A.R.S. PRO	223 Rem	26"	1:8"	5R	10
	6 BR Norma	26"	1:7½"	5R	12
	6 Dasher	26"	1:7½"	5R	12
	6 Creedmoor	26"	1:7½"	5R	10
	6.5x47 Lapua	26"	1:8"	5R	10
	6.5 Creedmoor	26"	1:8"	5R	10
	308 Win	26"	1:10"	5R	10

See the complete spec sheet on page 137

CHASSIS

- PRO tool-free fully adjustable buttstock and neoprene cheek rest.
- Rock solid reverse folding stock mechanism with free-play adjustable hinge system to remove loosening that may develop over time.
- Adjustable forward/rearward trigger guard with rubberized vertical grip.
- Funnel magwell for faster mag change.
- Ambidextrous extended magazine latch with fine-tunable height feature for optimized cartridge feeding.
- Ultra rigid one-piece lower receiver and fore-end, with 17" long built-in Arca Elite System (AES), barricade stop and 10 M-LOK mounting slots at 3, 6 and 9 o'clock.
- Minimum flex fore-end, capable to secure up to 5.8 lb of optional weights, for minimized recoil, optimum balance and rigidity.
- Compatible with an infinite selection of M-LOK and aftermarket competition accessories.
- Thumb rest included (2024).
- Complete rifle stock features (P. 37-38).

The CDX-SS SEVEN S.T.A.R.S. PRO is the latest addition to our growing line-up of products intended for PRS shooting. It is the ultimate rifle for professional shooters aiming for the championship, as much as for persevering amateurs dreaming of podiums at regional matches. The CDX-SS PRO combines the SEVEN S.T.A.R.S. (Sport and Tactical Application Rifle System) action with the STRIKE PRO chassis and legendary Bartlein® 5R single point cut technology barrel. The CDX-SS SEVEN S.T.A.R.S. PRO delivers amazing accuracy right out of the box and is packed with all features needed for positional shooting games where every second matters. Engineered to reliably ignite small and large rifle primers, it is available in most top performing Open and Tactical class short action calibers as well as in 223 Rem for affordable training.

This competition rifle features a 17" long built-in Arca Elite System (AES) rail, 10 M-LOK mounting slots at 3, 6 and 9 o'clock, a barricade stop, the PRO folding tool-free adjustable rear stock, a multi-position adjustable trigger guard, tunable height ambidextrous extended magazine latch and rubberized vertical grip. Popular optional items such as M-LOK weights, full length night vision bridge and PRO handguard can be purchased separately.

BARREL

- Bartlein® stainless 1.238" straight taper fluted match grade barrel with 5R single point cut rifling technology.
- Easy and unique do-it-yourself rebarreling system.
- Threaded muzzle for muzzle brake installation (MX2-ST included).

ACTION

- 416 stainless steel, 1.350" custom grade bolt action repeater (Rem 700 footprint).
- DLC coated 3 lug bolt with fast 60° bolt throw.
- Standard round bolt knob (optional tactical bolt knob sold separately).
- Fast dismantle firing pin using the supplied tool.
- 20 MOA stainless top rail with unique localization system.
- Rem style safety lever.

COLORS

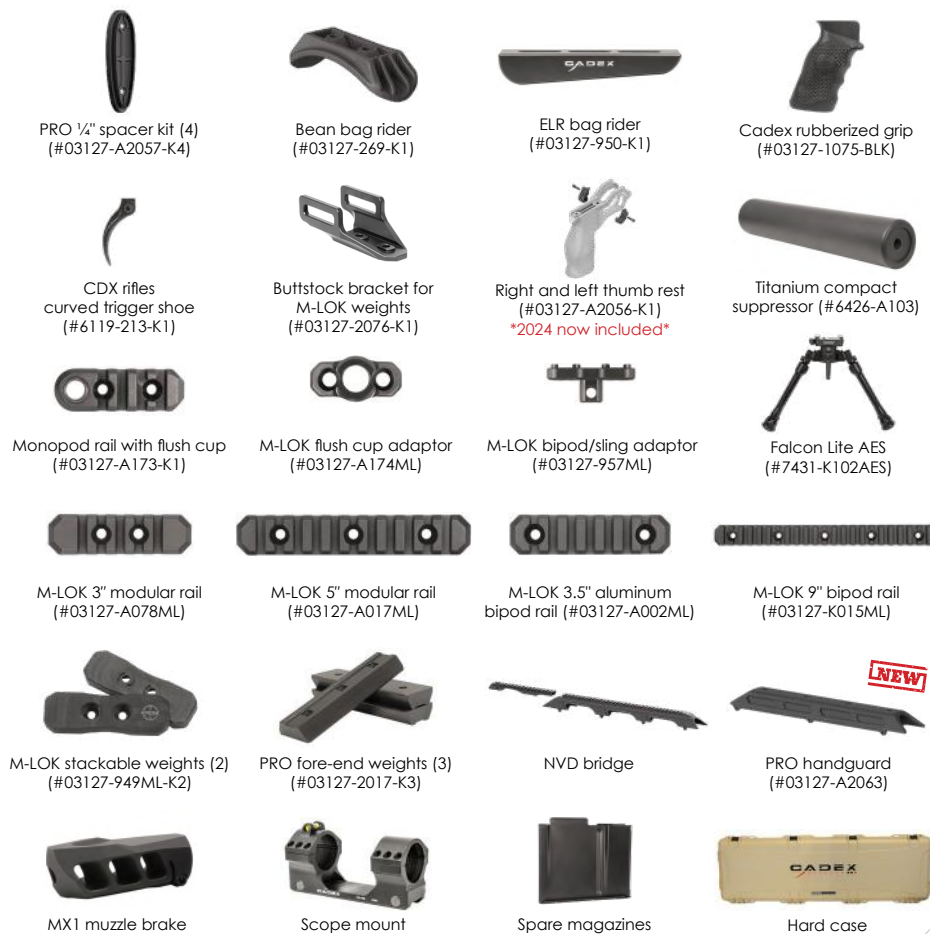
- Cerakote non-reflective coating.
- See all colors available (P. 33-34).

BORN TO WIN

MORE SPECIFICATIONS

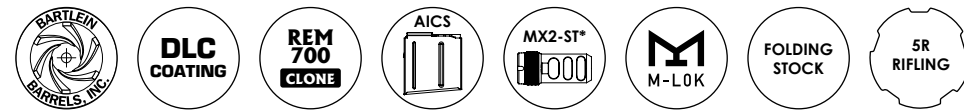
- AICS magazine compatible, short and long action (P. 65).
- Selectable single/two stage DX2 EVO trigger with position adjustable straight trigger shoe (P. 69).
- MX2-ST Tactical muzzle brake included (P. 78).
- Accessories table (P. 53).
- Action specifications (P. 57).
- Actions table (P. 141).

COMPATIBLE OPTIONAL ACCESSORIES



CDX-SS SEVEN S.T.A.R.S. COVERT

The CDX-SS SEVEN S.T.A.R.S. COVERT is a compact rifle similar to the former CDX-R7 CPS. They both achieve the same purpose, which is concealability for short/medium distances target engagement. This rifle combines an ultra-short 11" fluted barrel with a Covert Slim Titanium Suppressor small enough to fit within the chassis M-LOK fore-end tube. This fore-end tube is shorter than on other Cadex rifles while still maintaining a fully functional 19" Picatinny top rail for optics and night vision device mounting. It features the folding buttstock of the Strike PRO chassis which allows for fast tool-free stock adjustments. Cadex also offers a version equipped with 16.5" barrels in order to comply with the 26" minimum overall length regulations in many countries.



*MX2-ST is not compatible on Covert 11" model

Model	Caliber	Barrel length	Twist rate	Rifling	Magazine capacity*
CDX-SS SEVEN S.T.A.R.S. COVERT	223 Rem	11" * / 16.5"	1:8"	5R	10
	300 Blackout	11" * / 16.5"	1:8"	5R	10
	6.5 Creedmoor	16.5"	1:8"	5R	10
	308 Win	16.5"	1:10"	5R	10

See the complete spec sheet P. 137

*11" variant for MIL/LE sales only

BARREL

- Bartlein® stainless 1.238" straight taper fluted match grade barrel with 5R single point cut rifling technology.
- Covert 11" barrel variant folds under 25" length (without muzzle brake included) while 16.5" model folds under 29" (with muzzle brake included).
- Covert 11" variant requires the covert slim titanium suppressor (#6426-A023).

CHASSIS

- PRO tool-free fully adjustable buttstock and neoprene cheek rest.
- Rock solid reverse folding stock mechanism with free-play adjustable hinge system to remove loosening that may develop over time.
- 20 MOA full length top rail with unique localization system.
- Short M-LOK fore-end with Picatinny rails at 3, 6 and 9 o'clock. M-LOK flush cup adaptor included.
- Compatible with an infinite selection of M-LOK accessories.

ACTION

- 416 stainless steel, 1.350" custom grade bolt action repeater (Rem 700 footprint).
- DLC coated 3 lug bolt with fast 60° bolt throw.
- Standard round bolt knob (optional tactical bolt knob sold separately).
- Fast dismantle firing pin using the supplied tool.
- Rem style safety lever.

COLORS

- Cerakote non-reflective coating.
- See all colors available (P. 33-34).

MORE SPECIFICATIONS

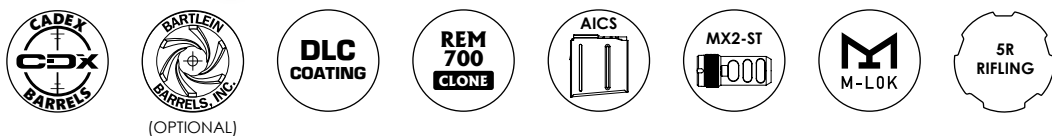
- AICS magazine compatible, short action only (P. 65).
- Selectable single/two stage DX2 EVO trigger (P. 69).
- MX2-ST Tactical muzzle brake included on 16.5" variant (P. 78).
- Accessories table (P. 53).
- Action specifications (P. 57).
- Actions table (P. 141).

COMPATIBLE OPTIONAL ACCESSORIES



CDX-R7 SHP SERIES

The CDX-R7 SHP Series are precision rifles designed for shooters who prefer a traditional style stock to chassis systems. These rifles feature Cadex's fully adjustable synthetic stock called the Strike Nuke Evo. The ergonomics of this stock are a great blend between the stability offered by tactical stocks and lightweight hunting stocks. This stock features a built-in aluminum micro-chassis system for improved accuracy. This rifle out of the box will compete with any custom gun.



Model	Caliber	Barrel length	Twist rate	Rifling	Magazine capacity
CDX-R7 SHP SA (short action)	6 Creedmoor*	26"	1:7½	5R	10
	6.5 Creedmoor*	16.5" / 20" / 24" / 26"	1:8	5R	10
	6.5 PRC*	24" / 26"	1:8	5R	7
	308 Win*	(16.5") / 20" / 24" / 26"	(1:10) / 1:11¼	5R	10
	NEW ▶ 300 WSM*	24"	1:10	5R	7
CDX-R7 SHP LA (long action)	NEW ▶ 7 PRC	26"	1:8	5R	5
	300 PRC	26"	1:8	5R	5
	300 Norma Mag	26"	1:8	5R	5
	338 Lapua Mag	27"	1:9½	5R	5

See the complete spec sheet P. 138 *Available in left handed with TriggerTech® primary trigger

ACTION

- 416 stainless steel, 1.350" custom grade bolt action repeater (Rem 700 footprint).
- DLC coated 4 lug bolt with ultra-fast 50° short bolt throw.
- Standard round bolt knob (optional tactical bolt knob sold separately).
- ¼ turn tool-free bolt disassembly for an easy access to the firing pin.
- Rem style safety lever.

COLORS

- Cerakote non-reflective coating.
- See all colors available (P. 33-34).

MORE SPECIFICATIONS

- Includes one 1/4" spacer.
- AICS magazine compatible, short and long action (P. 65).
- Selectable single/two stage DX2 EVO trigger (P. 69).
- MX2-ST Tactical muzzle brake included (P. 78).
- Accessories table (P. 53).
- Action specifications (P. 58).
- Actions table (P. 141).

BARREL

- Cadex 1.238" straight taper fluted match grade button rifling barrel.
- Optional Bartlein® single point cut rifling fluted barrel also available on special request.
- Easy and unique do-it-yourself rebarreling system.

CHASSIS

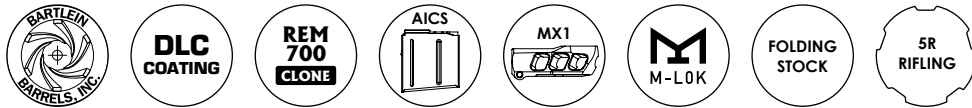
- Strike Nuke Evo with built-in aluminum micro-chassis technology (no bedding required).
- Interchangeable pinned top rail in 0, 20 or 30 MOA (stainless steel).
- M-LOK fore-end. Optional night vision rail system.
- Complete rifle stock features (P. 39-40).

COMPATIBLE OPTIONAL ACCESSORIES



CDX-R7 LCP SERIES

The CDX-R7 LCP Series includes all features required by the most demanding PRS competitive shooters. Its folding stock mechanism is a charm when it comes to cleaning and transport. The lightning fast R7 action with its 4 lug 50° bolt throw is a must to save time on PRS stages. Based on a Rem 700 footprint and combined with a medium contour Bartlein® Single Point Cut match grade fluted barrel for optimum performance. Compatible with M-LOK accessories.



Model	Caliber	Barrel length	Twist rate	Rifling	Magazine capacity
CDX-R7 LCP SA (short action)	6 Creedmoor*	26"	1:7½	5R	10
	6.5 Creedmoor*	24" / 26"	1:8	5R	10
	6.5 PRC*	24" / 26"	1:8	5R	7
	308 Win*	20" / 24" / 26"	1:11¼	5R	10
NEW ▶	300 WSM*	24"	1:10	5R	7
CDX-R7 LCP LA (long action)	NEW ▶ 7 PRC	26"	1:8	5R	5
	300 PRC	26"	1:8	5R	5
	300 Norma Mag	26"	1:8	5R	5
	338 Lapua Mag	27"	1:9½	5R	5

See the complete spec sheet P. 138 *Available in left handed with TriggerTech® primary trigger

ACTION

- 416 stainless steel, 1.350" custom grade bolt action repeater (Rem 700 footprint).
- DLC coated 4 lug bolt with ultra-fast 50° short bolt throw.
- Standard round bolt knob (optional tactical bolt knob sold separately).
- ¼ turn tool-free bolt disassembly for an easy access to the firing pin.
- Interchangeable pinned top rail in 0, 20 or 30 MOA (stainless steel).
- Rem style safety lever.

COLORS

- Cerakote non-reflective coating.
- See all colors available (P. 33-34).

MORE SPECIFICATIONS

- AICS magazine compatible, short and long action (P. 65).
- Selectable single/two stage DX2 EVO trigger (P. 69).
- MX1 muzzle brake included (P. 77) (optional MX-ST Tactical muzzle brake sold separately).
- Accessories table (P. 53).
- Action specifications (P. 58).
- Actions table (P. 141).

BARREL

- Bartlein® 1.238" straight taper fluted match grade barrel with 5R single point cut rifling technology.
- Easy and unique do-it-yourself rebarreling system.
- Threaded muzzle for muzzle brake installation (MX1 included).

CHASSIS

- Lite Competition chassis (LCP) with skeleton folding stock.
- M-LOK full length competition fore-end tube with mirage mitigation technology.
- Complete rifle stock features (P. 45-46).

COMPATIBLE OPTIONAL ACCESSORIES

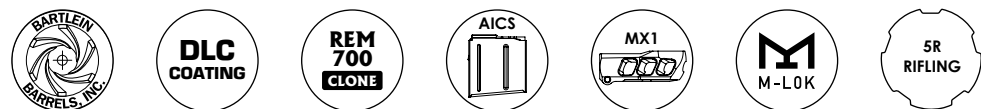


CDX-R7 FCP SERIES

The CDX-R7 FCP Series includes most features of the CDX-R7 LCP Series model but in a fixed stock variant. The polymer detachable base of the Field Series is a solid and cost effective solution that will satisfy the most demanding shooters. The fixed skeleton stock is completely tool-free and provides weight saving from the competition models. The CDX-R7 FCP Series is the best bang for your buck. Compatible with M-LOK accessories.



*Shown with optional tactical bolt knob



Model	Caliber	Barrel length	Twist rate	Rifling	Magazine capacity
CDX-R7 FCP SA (short action)	6 Creedmoor*	26"	1:7½	5R	10
	6.5 Creedmoor*	24" / 26"	1:8	5R	10
	6.5 PRC*	24" / 26"	1:8	5R	7
	308 Win*	20" / 24" / 26"	1:11¼	5R	10
NEW ▶	300 WSM*	24"	1:10	5R	7
CDX-R7 FCP LA (long action)	NEW ▶ 7 PRC	26"	1:8	5R	5
	300 PRC	26"	1:8	5R	5
	300 Norma Mag	26"	1:8	5R	5
	338 Lapua Mag	27"	1:9½	5R	5

See the complete spec sheet P. 138 *Available in left handed with TriggerTech® primary trigger

BARREL

- Bartlein® 1.238" straight taper fluted match grade barrel with 5R single point cut rifling technology.
- Easy and unique do-it-yourself rebarreling system.
- Threaded muzzle for muzzle brake installation (MX1 included).

CHASSIS

- Field Competition chassis (FCP) with skeleton fixed stock.
- M-LOK full length competition fore-end tube with mirage mitigation technology.
- Complete rifle stock features (P. 47-48).

ACTION

- 416 stainless steel, 1.350" custom grade bolt action repeater (Rem 700 footprint).
- DLC coated 4 lug bolt with ultra-fast 50° short bolt throw.
- Standard round bolt knob (optional tactical bolt knob sold separately).
- ¼ turn tool-free bolt disassembly for an easy access to the firing pin.
- Interchangeable pinned top rail in 0, 20 or 30 MOA (stainless steel).
- Rem style safety lever.

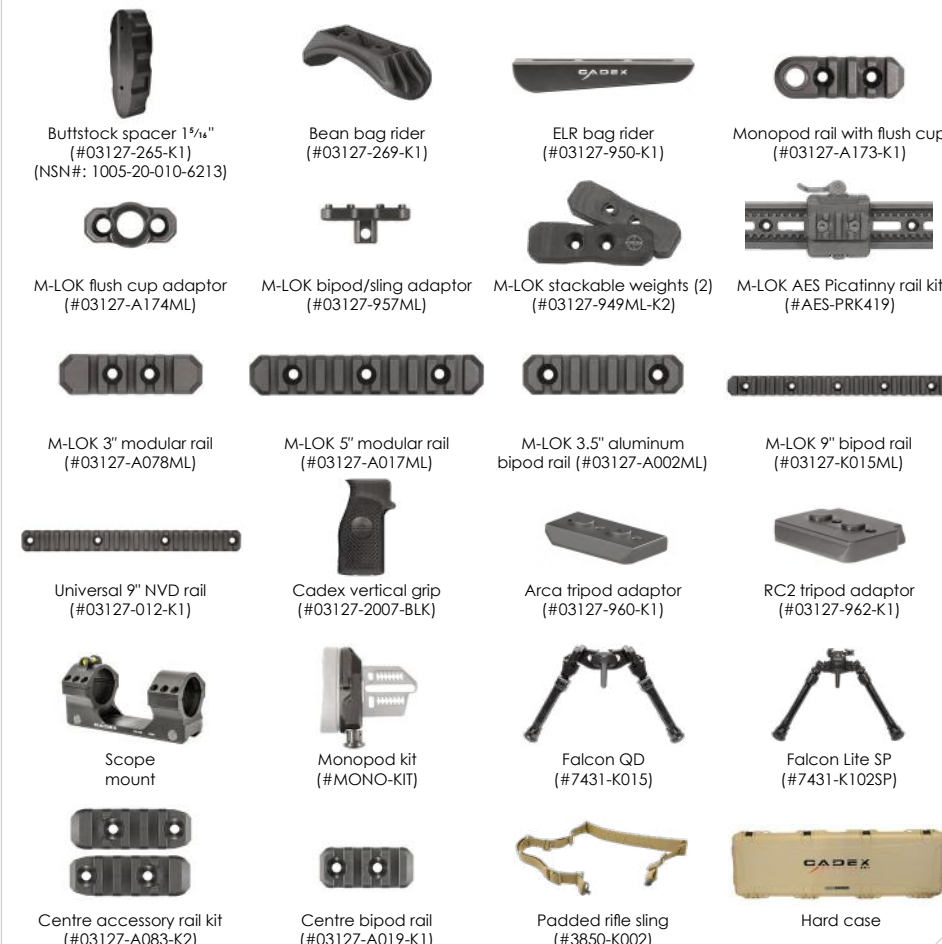
COLORS

- Cerakote non-reflective coating.
- See all colors available (P. 33-34).

MORE SPECIFICATIONS

- AICS magazine compatible, short and long action (P. 65).
- Selectable single/two stage DX2 EVO trigger (P. 69).
- MX1 muzzle brake included (P. 77) (optional MX1-ST Tactical muzzle brake sold separately).
- Accessories table (P. 53).
- Action specifications (P. 58).
- Actions table (P. 141).

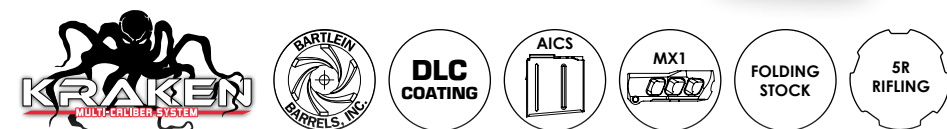
COMPATIBLE OPTIONAL ACCESSORIES



CDX-MC KRAKEN®

PATENTED MULTI-CALIBER SYSTEM

The CDX-MC KRAKEN®, is a multi-caliber rifle using an innovative patented barrel change system. This multi-caliber system features the lowest shift of point of impact (0.1 mil) between takedown and reassembly of the same barrel on the market. Cadex CDX-MC uses a traditional barrel to action threading system while incorporating a special tool designed to unscrew and torque its barrel from the breech side. A single screw secures the chassis detachable base for a fast conversion between short and long action calibers. Maintaining the same P.O.I. is critical at extreme range and the KRAKEN® surpasses any other multi-caliber system on the market. Add your P.O.I. off sets between each barrels in your ballistics software and you'll never have to reconfirm a zero again!



Caliber	Barrel length	Twist rate	Rifling	Magazine capacity	Bolt face
6 Creedmoor	26"	1:7½	5R	10	B
6.5 Creedmoor	16.5" / 20" / 24" / 26"	1:8	5R	10	B
308 Win	(16.5") / 20" / 24" / 26"	(1:10) / 1:11¼	5R	10	B
NEW ▶ 7 PRC	26"	1:8	5R	5	C
300 PRC	26"	1:8	5R	5	C
300 RUM	26"	1:8	5R	5	C
300 Norma Mag	26" / 32" ◀ NEW	1:8	5R	5	D
338 Lapua Mag	27" / 32" ◀ NEW	1:9½	5R	5	D

See the complete spec sheet on page 140 NSN#: 1005-20-011-8160 (for CDXMC-KRKN-338-27)

BARREL

- Bartlein® 1.300" straight taper fluted match grade barrel with 5R single point cut rifling technology.
- Unique barrel tenon design with machined grooves to work in conjunction with the Kraken® tooling kit.
- Easy and unique do-it-yourself rebarreling system.
- Threaded muzzle for muzzle brake installation.
- Optional ¾-20 threads with suppressor band for use with a Cadex slip-on suppressor.

CHASSIS

- Proprietary Kraken® chassis system with folding stock (fixed variant available).
- Skeleton folding stock variant available.
- Interchangeable 20, 30 or 45 MOA full length top rail.
- Complete rifle stock features (P. 41-42).

COLORS

- Cerakote non-reflective coating.
- See all colors available (P. 33-34).

ACTION

- 416 stainless steel, heavy duty 1.550" custom grade bolt action repeater with integral recoil lug.
- DLC coated 3 lug bolt with 60° short bolt throw.
- Standard round bolt knob (optional tactical bolt knob sold separately).
- ¼ turn tool-free bolt disassembly for an easy access to the firing pin.
- Ambidextrous safety lever on shroud.

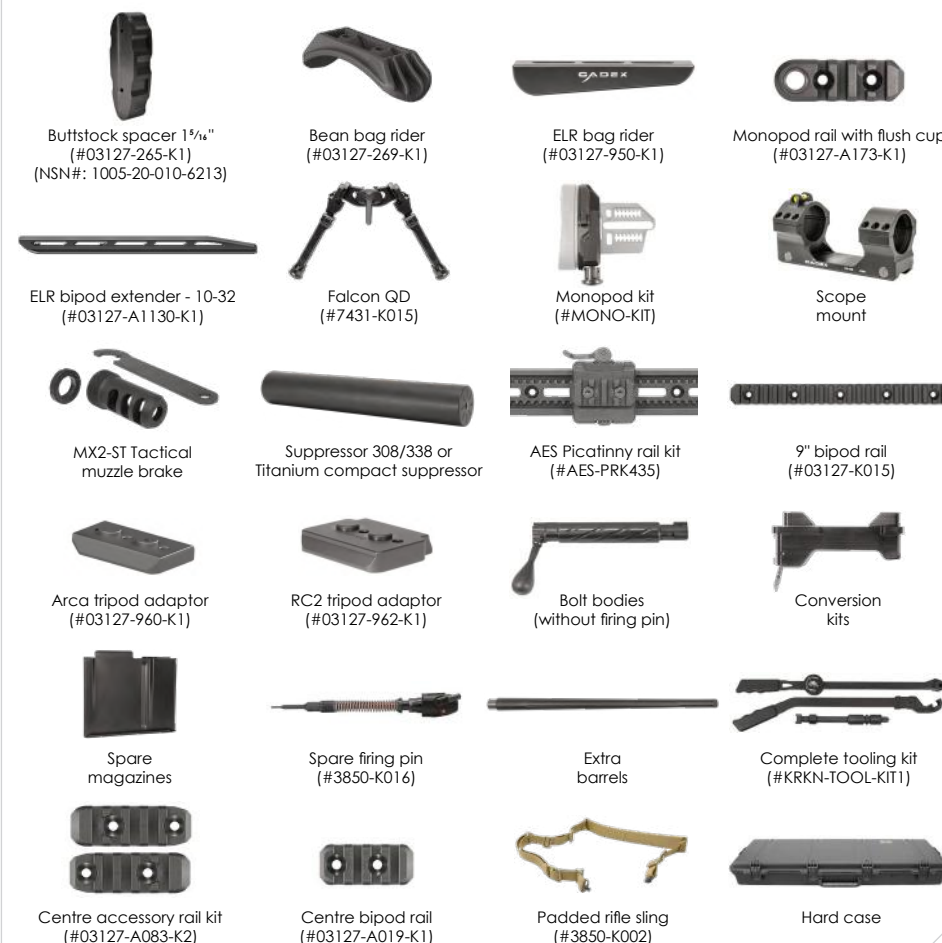
MULTI-CALIBER SYSTEM

- Easy access to the conversion kit and trigger group by taking down one single captive screw.
- Quick caliber change (2 to 3 minutes) with virtually no shift of point of impact (<0.1 mil) on the same barrel.
- Multi-caliber system with the lowest shift of P.O.I. on the market.
- Multiple caliber group bolts: Type B (.480"), C (.550") or D (.600").

MORE SPECIFICATIONS

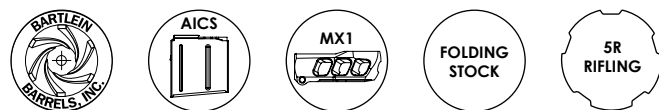
- AICS magazine compatible, short and long action (P. 65).
- Selectable single/two stage DX2 EVO trigger (P. 69).
- MX1 muzzle brake included (P. 77) (optional MX2-ST Tactical muzzle brake sold separately).
- Accessories table (P. 53).
- Action specifications (P. 61).
- Actions table (P. 141).

COMPATIBLE OPTIONAL ACCESSORIES



CDX-LITE SERIES

The CDX-30 LITE, CDX-300 LITE and CDX-33 LITE precision rifles combine all mandatory features that an operator needs in the field. Nothing is left to chance and every detail has been designed to offer the best long range sub-minute sniper system on the market. The CDX-LITE precision rifles will be your most reliable partner. Often imitated but never equaled. One shot, one kill... Then extract safely.



Model	Caliber	Barrel length	Twist rate	Rifling	Magazine capacity
CDX-30 LITE	6 Creedmoor	26"	1:7½	5R	10
	6.5 Creedmoor	24" / 26"	1:8	5R	10
	6.5 PRC	24" / 26"	1:8	5R	7
	308 Win	20" / 24" / 26"	1:11¼	5R	10
CDX-300 LITE	300 PRC	26"	1:8	5R	5
	300 RUM	26"	1:8	5R	5
CDX-33 LITE	300 Norma Mag	26"	1:8	5R	5
	338 Lapua Mag	27"	1:9½	5R	5

See the complete spec sheet on page 139

BARREL

- Bartlein® 1.300" straight taper fluted match grade barrel with 5R single point cut rifling technology.
- Easy and unique do-it-yourself rebarreling system.
- Threaded muzzle for muzzle brake installation.
- Optional ¼-20 threads with suppressor band for use with a Cadex slip-on suppressor.

CHASSIS

- Lite Strike chassis system with folding stock.
- Skeleton folding stock variant available.
- Interchangeable 20, 30 or 45 MOA full length top rail.
- Mirage mitigation technology fore-end tube.
- Complete rifle stock features (P. 43-44).

ACTION

- 416 stainless steel, heavy duty 1.550" custom grade bolt action repeater.
- 3 lug bolt with ultra-smooth 60° short bolt throw.
- Standard round bolt knob (optional tactical bolt knob sold separately).
- ¼ turn tool-free bolt disassembly for an easy access to the firing pin.
- Ambidextrous safety lever on shroud.

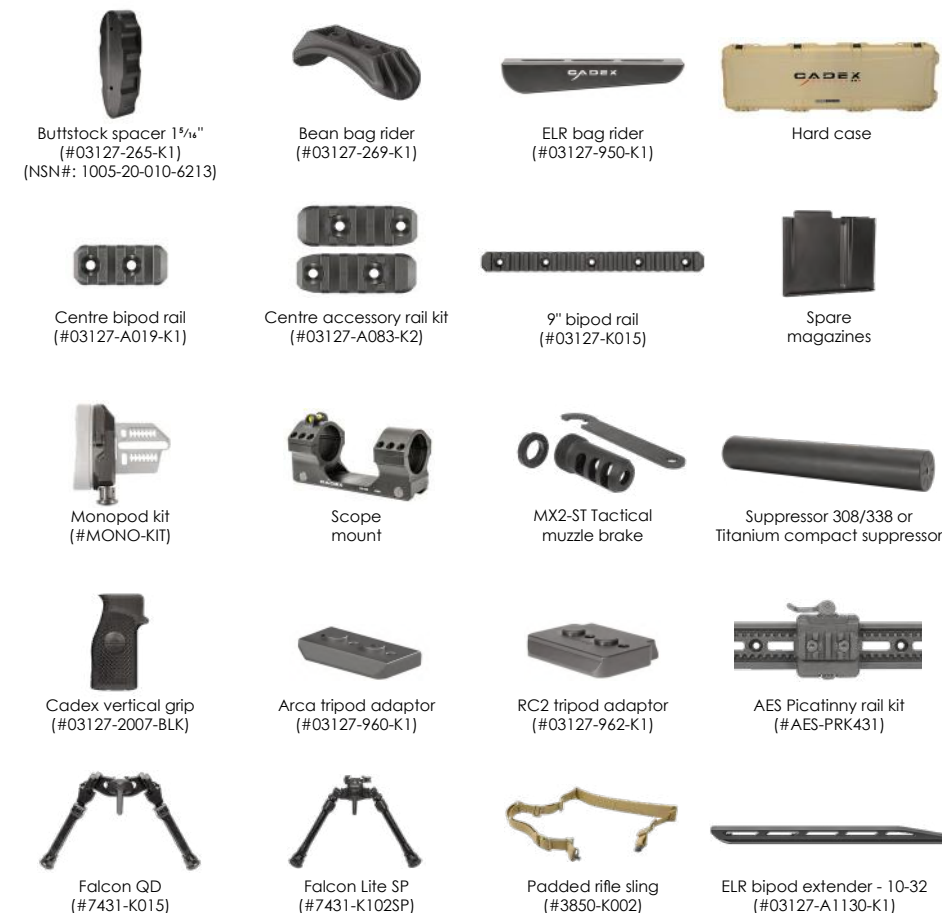
COLORS

- Cerakote non-reflective coating.
- See all colors available (P. 33-34).

MORE SPECIFICATIONS

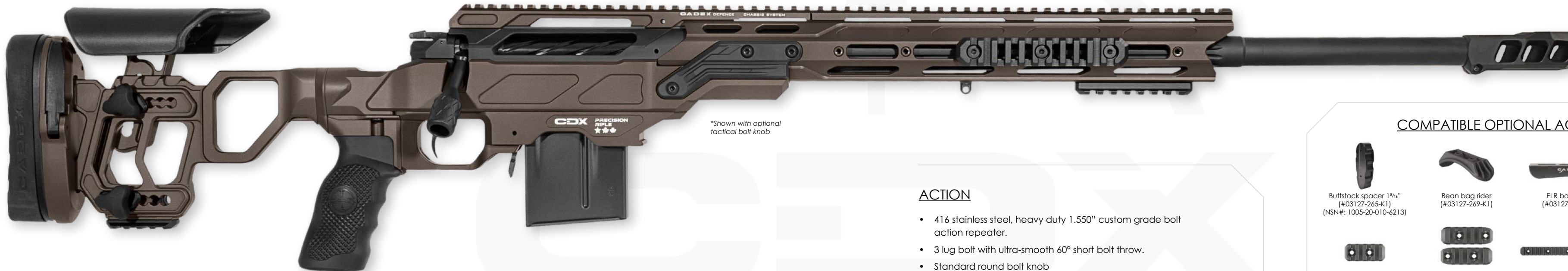
- AICS magazine compatible, short and long action (P. 65).
- Selectable single/two stage DX2 EVO trigger (P. 69).
- MX1 muzzle brake included (P. 77) (optional MX2-ST Tactical muzzle brake sold separately).
- Accessories table (P. 53).
- Action specifications (P. 59).
- Actions table (P. 141).

COMPATIBLE OPTIONAL ACCESSORIES

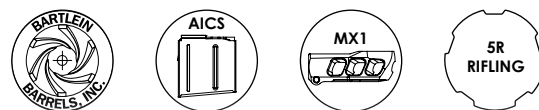


CDX-TAC SERIES

The CDX-30 TAC, CDX-300 TAC and CDX-33 TAC precision rifles are cost efficient solutions for law enforcement agencies or the civilian market that do not see an advantage in a folding stock mechanism. Same reliability and accuracy combined into a well-proven package at a fraction of the cost.



*Shown with optional tactical bolt knob



Model	Caliber	Barrel length	Twist rate	Rifling	Magazine capacity
CDX-30 TAC	6 Creedmoor	26"	1:7½	5R	10
	6.5 Creedmoor	24" / 26"	1:8	5R	10
	6.5 PRC	24" / 26"	1:8	5R	7
CDX-300 TAC	308 Win	20" / 24" / 26"	1:11¼	5R	10
CDX-300 TAC	300 PRC	26"	1:8	5R	5
	300 RUM	26"	1:8	5R	5
CDX-33 TAC	300 Norma Mag	26"	1:8	5R	5
	338 Lapua Mag	27"	1:9½	5R	5

See the complete spec sheet on page 139

BARREL

- Bartlein® 1.300" straight taper fluted match grade barrel with 5R single point cut rifling technology.
- Easy and unique do-it-yourself rebarreling system.
- Threaded muzzle for muzzle brake installation.
- Optional ¼-20 threads with suppressor band for use with a Cadex slip-on suppressor.

CHASSIS

- Field Tactical chassis system with fixed stock.
- Interchangeable 20, 30 or 45 MOA full length top rail.
- Mirage mitigation technology fore-end tube.
- Complete rifle stock features (P. 49-50).

ACTION

- 416 stainless steel, heavy duty 1.550" custom grade bolt action repeater.
- 3 lug bolt with ultra-smooth 60° short bolt throw.
- Standard round bolt knob (optional tactical bolt knob sold separately).
- ¼ turn tool-free bolt disassembly for an easy access to the firing pin.
- Ambidextrous safety lever on shroud.

COLORS

- Cerakote non-reflective coating.
- See all colors available (P. 33-34).

MORE SPECIFICATIONS

- AICS magazine compatible, short and long action (P. 65).
- Selectable single/two stage DX2 EVO trigger (P. 69).
- MX1 muzzle brake included (P. 77) (optional MX2-ST Tactical muzzle brake sold separately).
- Accessories table (P. 53).
- Action specifications (P. 59).
- Actions table (P. 141).

COMPATIBLE OPTIONAL ACCESSORIES



Buttstock spacer 1 1/4" (#03127-265-K1) (NSN#: 1005-20-010-6213)

Bean bag rider (#03127-269-K1)

ELR bag rider (#03127-950-K1)

Hard case

Centre bipod rail (#03127-A019-K1)

Centre accessory rail kit (#03127-A083-K2)

9" bipod rail (#03127-K015)

Spare magazines

Monopod kit (#MONO-KIT)

Scope mount

MX2-ST Tactical muzzle brake

Suppressor 308/338 or Titanium compact suppressor

Cadex vertical grip (#03127-2007-BLK)

Arca tripod adaptor (#03127-960-K1)

RC2 tripod adaptor (#03127-962-K1)

AES Picatinny rail kit (#AES-PRK431)

Falcon QD (#7431-K015)

Falcon Lite SP (#7431-K102SP)

Padded rifle sling (#3850-K002)

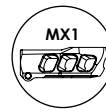
ELR bipod extender - 10-32 (#03127-A1130-K1)

CDX-40 SHDW



The CDX-40 SHDW is the Cadex Precision Rifle chambered in either 375 EnABELR or 375/408 CT. These ultimate calibers were designed for extreme range shooting and anti-materiel up to 2 miles with proper training and shooting conditions. Push your limits even further with the CDX-40 SHDW. Renowned by the ELR community as the best extreme range platform on the market.

Now available in single shot variants for ELR competition.



Caliber	Barrel length	Twist rate	Rifling	Magazine capacity
375 EnABELR	32" / 36"	1:7	5R	7 or single shot
375 CT*	29" / 32" / 36"	1:7 / 1:10	5R	7 or single shot
408 CT*	{29"} / 32"	1:12	8	7

See the complete spec sheet P. 139

*CheyTac is a registered trademark of CheyTac USA Inc. Cadex Defence is not affiliated with, endorsed by or sponsored by CheyTac USA.

BARREL

- Bartlein® 1.350" straight taper fluted match grade barrel with single point cut rifling technology.
- 29" for military application, 32" for long range performance or 36" Single Shot for ELR competition.
- Threaded muzzle for muzzle brake installation.
- Optional suppressor band for use with a Cadex slip-on suppressor.
- Easy and unique do-it-yourself rebarreling system.

CHASSIS

- Dual Strike chassis system with folding stock (fixed variant available).
- Skeleton folding stock variant available.
- Interchangeable 20, 40 or 60 MOA full length top rail.
- Mirage mitigation technology fore-end tube.
- Complete rifle stock features (P. 41-42).

ACTION

- 416 stainless steel, heavy duty 1.600" custom grade bolt action repeater.
- DLC coated 3 lug bolt with 60° short bolt throw.
- Standard round bolt knob (optional tactical bolt knob sold separately).
- ¼ turn tool-free bolt disassembly for an easy access to the firing pin.
- Ambidextrous safety lever on shroud.

COLORS

- Cerakote non-reflective coating.
- See all colors available (P. 33-34).

MORE SPECIFICATIONS

- Very low recoil calibers compared to 50 BMG.
- DSSF 7 round magazine offering the longest cartridge overall length in the industry (P. 66).
- Selectable single/two stage DX2 EVO trigger (P. 69).
- MX1 muzzle brake included (P. 77).
- Accessories table (P. 53).
- Action specifications (P. 60).
- Actions table (P. 141).

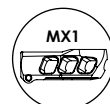
COMPATIBLE OPTIONAL ACCESSORIES



CDX-50 TREMOR®

The CDX-50 TREMOR®, a 50 caliber Precision Rifle built to Military Spec, is capable of delivering a huge payload accurately while maintaining very manageable recoil. The CDX-50 is a lightweight bolt action rifle that brings new technology to the 50 BMG of years gone by. Don't get fooled by semi-automatic rifles shooting at best 2.5 MOA... This is the ultimate extreme range anti-materiel rifle.

Now available in 416 Barrett® repeater or single shot for military purpose or ELR competition.



Caliber	Barrel length	Twist rate	Rifling	Magazine capacity
416 Barrett® *	32" / 40"	1:9	5R	5 or Single Shot
50 BMG	20.6" / 29" / 32"	1:15	8	5

See the complete spec sheet P. 139

NSN#: 1005-20-010-4018 (for CDX50-DUAL-50-29-TAN)

*Barrett® is a registered trademark of Barrett Firearms Mfg., Inc. Cadex Defence is not affiliated with, endorsed by or sponsored by Barrett Firearms Mfg., Inc.

BARREL

- Bartlein® 1.680" straight taper fluted match grade barrel with single point cut rifling technology.
- 29" for military application, 32" for long range performance or 40" Single Shot for ELR competition.
- Threaded muzzle for muzzle brake installation.
- Optional suppressor band for use with a Cadex slip-on suppressor.
- Easy and unique do-it-yourself rebarreling system.

CHASSIS

- Dual Strike chassis system with folding stock.
- Skeleton folding stock variant available.
- Interchangeable 20, 40 or 60 MOA full length top rail.
- Mirage mitigation technology fore-end tube.
- Complete rifle stock features (P. 41-42).

ACTION

- 416 stainless steel, heavy duty 1.960" custom grade bolt action repeater.
- DLC coated 4 lug bolt with 50° ultra-short bolt throw.
- Standard round bolt knob (optional tactical bolt knob sold separately).
- ¼ turn tool-free bolt disassembly for an easy access to the firing pin.
- Ambidextrous safety lever on shroud.

COLORS

- Cerakote non-reflective coating.
- See all colors available (P. 33-34).

MORE SPECIFICATIONS

- SSSF 5 round magazine offering the easiest 50 BMG magazine change in the industry (P. 66).
- Selectable single/two stage DX2 EVO trigger (P. 69).
- MX1 muzzle brake included (P. 77).
- Accessories table (P. 53).
- Action specifications (P. 60).
- Actions table (P. 141).

COMPATIBLE OPTIONAL ACCESSORIES



Buttstock spacer 1 3/4" (#03127-265-K1) (NSN#: 1005-20-010-6213)

Bean bag rider (#03127-269-K1)

ELR bag rider (#03127-950-K1)

Monopod rail with flush cup (#03127-A173-K1)

Arca tripod adaptor (#03127-960-K1)

RC2 tripod adaptor (#03127-962-K1)

ELR bipod extender - 1/4-28 (#03127-A1129-K1)

Monopod kit (#MONO-KIT)

MX2-ST 50 BMG (#3850-439-ST)

Scope mount

Suppressor 50BMG or Compact suppressor 50 BMG

AES Picatinny rail kit (#AES-PRK432)

Centre accessory rail kit (#03127-A083-K2)

Centre bipod rail (#03127-A019-K1)

Falcon QD (#7431-K015)

Hard case

SINGLE SHOT RIFLES & CUSTOM BUILDS

SINGLE SHOT RIFLES

CDX-40SS SHDW (Single Shot)

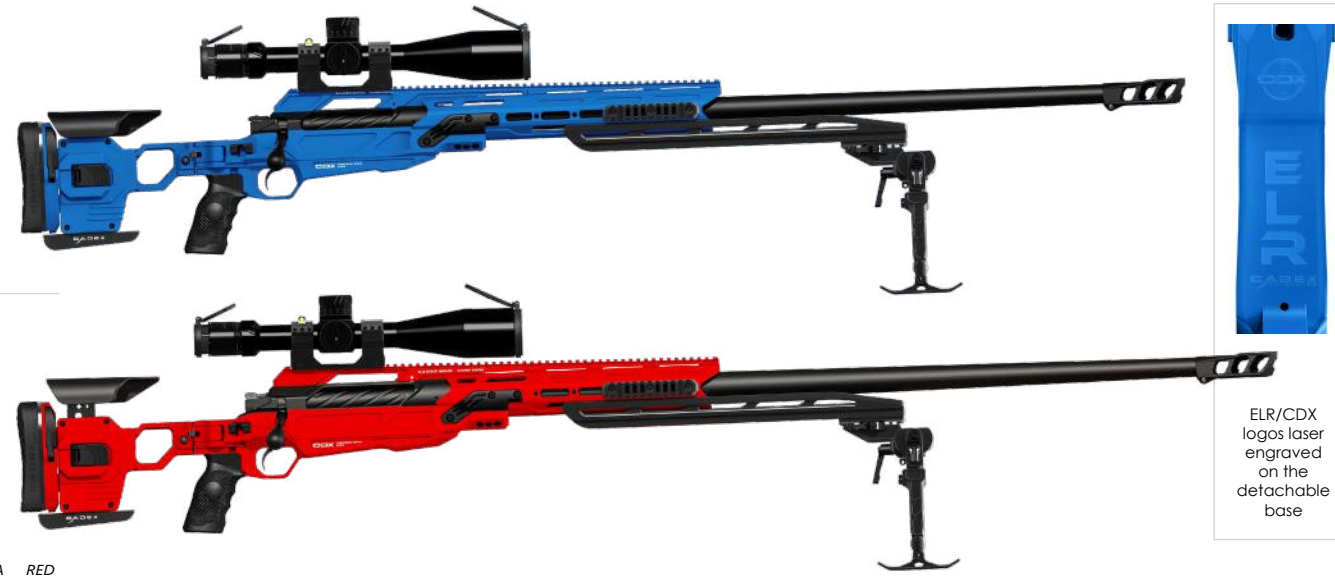
- 375 EnABELR, 60 MOA, 36" Bartlein, 1:7" twist
- 375 CT, 60 MOA, 36" Bartlein, 1:7" twist

MORE FEATURES P. 27-28

CDX-50SS TREMOR® (Single Shot)

- 416 Barrett®, 60 MOA, 40" Bartlein, 1:9" twist

MORE FEATURES P. 29-30



ELR/CDX logos laser engraved on the detachable base

Shown with optional ELR bag rider, scope mount, riflescope, ELR bipod extender and Falcon bipod with ski feet. Sold separately.

SINGLE SHOT ACTIONS

CDX-30/300/33SS (Single Shot)

- Long action, 3 lug, 60° bolt throw, 20 MOA, Dia. 1.550", DLC coated bolt

Shown with optional tactical bolt knob



MORE FEATURES P. 59

CDX-40SS (Single Shot)

- XL action, 3 lug, 60° bolt throw, 20 MOA, Dia. 1.600", DLC coated bolt and receiver

Shown with standard round bolt knob



MORE FEATURES P. 60

CDX-50SS (Single Shot)

- XL action, 4 lug, 50° bolt throw, 20 MOA, Dia. 1.960", DLC coated bolt and receiver

Shown with optional tactical bolt knob



MORE FEATURES P. 60

SINGLE SHOT CHASSIS

DUAL STRIKE (Single Shot) for CDX-40SS or CDX-50SS actions



MORE FEATURES P. 41-42

LITE STRIKE (Single Shot) for CDX-30/300/33SS actions



MORE FEATURES P. 43-44

LEFT HANDED PRODUCTS

LEFT HANDED RIFLES*

CDX-R7 SHP SERIES - P. 15-16

Caliber	Barrel length	Twist rate	Magazine capacity
6 Creedmoor	26"	1:7½	10
6.5 Creedmoor	16.5" / 20" / 24" / 26"	1:8	10
6.5 PRC	24" / 26"	1:8	7
308 Win	(16.5") / 20" / 24" / 26"	(1:10) / 1:11¼	10
300 WSM	24"	1:10	7

CDX-R7 LCP/FCP - P. 17-20

Caliber	Barrel length	Twist rate	Magazine capacity
6 Creedmoor	26"	1:7½	10
6.5 Creedmoor	24" / 26"	1:8	10
6.5 PRC	24" / 26"	1:8	7
308 Win	20" / 24" / 26"	1:11¼	10
300 WSM	24"	1:10	7

CDX-R7 LITE - Special request only

Caliber	Barrel length	Twist rate	Magazine capacity
6 Creedmoor	26"	1:7½	10
6.5 Creedmoor	16.5" / 20" / 24" / 26"	1:8	10
6.5 PRC	24" / 26"	1:8	7
308 Win	(16.5") / 20" / 24" / 26"	(1:10) / 1:11¼	10
300 WSM	24"	1:10	7

*Left handed rifles are equipped with TriggerTech® primary trigger

LEFT HANDED ACTIONS

CDX-R7 SERIES

- Rem 700 footprint
- 4 lug
- 50° bolt throw
- 20 MOA
- Bolt face type B (Ø 0.480")
- Bolt face type C (Ø 0.550")



"B" group bolt face

"C" group bolt face



MORE FEATURES

CDX-R7 SERIES actions **P. 58**



LEFT HANDED CHASSIS

Available for CDX-R7 SA, Remington® 700, Stiller®, Tikka® T3/T3X, Defiance® and most Rem 700 clones. (See appropriate chassis spec chart)



Life Strike



Field Tactical



Strike Nuke Evo
*Features a dressing cap on the right side



Life Competition



Field Competition

AVAILABLE COLORS

BEST-SELLING COLORS

With
CERAKOTE
Coatings

HYBRID COLORS

Black barreled action combined with your choice of chassis color



Hybrid Orange/Black (HOR)



Hybrid Tan/Black (HTB)



Hybrid Grey/Black (HGB)



Hybrid Robin's Egg Blue (HEB)



Hybrid Green/Black (HOD)



Hybrid Stealth Shadow (HSB)



Hybrid White/Black (HWB)



Hybrid USMC Red (HUS)



Hybrid Bronze/Black (HBB)



Hybrid NRA Blue (HNR)

SOLID COLORS



Black (BLK)



Tan (TAN)



O.D. Green (ODG)



NRA Blue (NRA)



Sniper Grey (GRY)



Stealth Shadow Vortex (SSV)



Hunter Orange (ORG)



Robin's Egg Blue (EGG)



Stormtrooper White (WHT)



USMC Red (RED)



Burnt Bronze (BRZ)

Visit our website for high resolution pictures
www.cadexdefence.com

AVAILABLE COLORS

	PRECISION RIFLES	CHASSIS SYSTEM	
	CERAKOTE COATINGS	SHERWIN-WILLIAMS	
STANDARD COLORS	BLK H-146 Graphite Black	BLK Polane Dead Flat Black (F63B75301)	
	TAN H-308 CADEX Tan	TAN Polane Flat Dark Earth (F63TXH6123-8716)	
	ODG H-232 Magpul® O.D. Green	ODG Polane O.D. Green (F63TXG6099-8716)	
	SSV C-293 Vortex Bronze	CERAKOTE COATINGS	
	GRY C-239 Sniper Grey	SSV C-293 Vortex Bronze	GRY C-239 Sniper Grey
	WHT H-297 Stormtrooper White	WHT H-297 Stormtrooper White	
SPECIAL COLORS	BRZ H-148 Burnt Bronze	BRZ H-148 Burnt Bronze	
	ORG H-128 Hunter Orange	ORG H-128 Hunter Orange	
	EGG H-175 Robin's Egg Blue	EGG H-175 Robin's Egg Blue	
	NRA H-171 NRA Blue	NRA H-171 NRA Blue	
	RED H-167 USMC Red	RED H-167 USMC Red	

Some exceptions may apply. Contact Cadex prior to ordering Cerakote colors

BATTLE WORN SCHEMES (Available for TAN, WHITE, BRONZE, ORANGE, BLUE or RED variants only)

Each battle worn paint job is one of a kind



TUNDRA STRIKE



The Tundra Strike rifle stock is designed with back country hunters in mind. Unlike other manufacturers out there aiming at the absolute lightest materials available, Cadex oriented this rifle stock towards a perfect balance between weight reduction, rigidity and no compromise on stability.

The Tundra Strike is an affordable rifle stock with the right features at the right place offering unbeatable value for your money. The rifle stock is polymer injected with our special recipe of fibers to produce a lightweight yet extremely stiff rifle stock blank. Within the polymer rifle stock blank are molded aluminum bedding blocks, among which the magazine housing and recoil lug pocket are CNC machined to ensure a perfect alignment. This production process is so precise that no bedding compound is required. No need to be a gunsmith to do it, it is a 2 minute installation process similar to our chassis systems. No bedding job required.



- 1 Cadex recoil pad.
- 2 Neoprene cheek pad.
- 3 Front and rear sling stud.
- 4 Rubberized grip insert.
- 5 Oversized trigger guard and magazine release for easy manipulation with gloves.
- 6 AICS magazine type:
- Short Action: DSSF 3.055"
- Long Action: SSSF 3.715", 3.775" and 3.850" CIP
- 7 Front rubberized grip insert.
- 8 Fore-end inserts for sporter and heavy barrel included.

- Aluminum bedding blocks (no bedding required).
- See all colors available (P. 33-34).
- Accessories table (P. 53).

COMPATIBLE OPTIONAL ACCESSORIES



COMPATIBILITY CHART	SHORT ACTION CALIBERS			LONG ACTION CALIBERS		XL ACTION CALIBERS
	Bolt face "A" (.385") SHORT	Bolt face "B" (.480") STANDARD	Bolt face "C" (.550") SHORT MAGNUM	Bolt face "B" (.480") LONG STANDARD	Bolt face "C" (.550") LONG MAGNUM	Bolt face "D" (.600") SUPER MAGNUM
	204 Ruger, 222 Rem, 223 Rem, 5.56mm, 300 Whisper/Blackout	22-250 Rem, 243 Win, 6 BR Norma, 6 Dasher, 6 Creedmoor, 6x47 Lapua, 6.5x47 Lapua, 6.5 Creedmoor, 260 Rem, 7mm-08 Rem, 308 Win	6.5 PRC, 270 WSM, 7 WSM, 300 WSM	220 Swift, 25-06 Rem, 6.5x55 Swedish, 270 Win, 30-06 SPRG	7 Rem Mag, 7 RUM, 28 Nosler, 300 Win Mag, 300 PRC, 300 RUM, 338 Win, 338 RUM	300 Norma Mag, 338 Norma Mag, 338 Lapua Mag
	MAG TYPE AICS DSSF 3.055"			MAG TYPE AICS SSSF 3.715", 3.775" or 3.850" CIP		MAG TYPE AICS SSSF 3.715", 3.775" or 3.850" CIP
Cadex Defence®	CDX-SS SEVEN S.T.A.R.S.	CDX-SS SEVEN S.T.A.R.S., CDX-R7 SHP SA HUNTING	CDX-R7 SHP SA HUNTING	CDX-R7 SHP LA HUNTING		CDX-R7 SHP LA HUNTING
Remington®	REM 700 SA			REM 700 LA		REM 700 LA
Tikka®	N/A	T3/T3x (CTR or AICS mags)	T3/T3x (AICS mags)	N/A		N/A
Stiller®	N/A	PREDATOR SHORT, TAC-30		PREDATOR LONG, TAC-300		N/A

SHORT & LONG ACTION

Dimensions:
30.83" x 1.72" x 5.71"

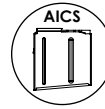
Weight (±):
2.6 lb

For any Rem 700 Custom Clones, contact Cadex to validate compatibility prior to order.



*Shown here in Hybrid White/Black featuring a Tikka T3 CTR converted to AICS magazine. Magazine, scope mount and riflescope not included.

STRIKE PRO

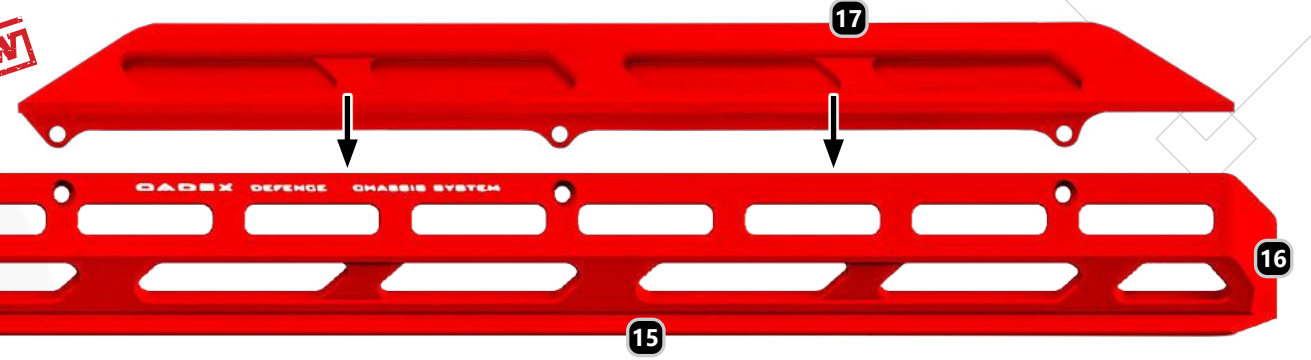


BORN TO WIN



The Strike Pro is the latest addition to our extensive chassis line-up. It is the ultimate chassis for professional PRS shooters as well as for amateurs competing at regional matches. The Strike Pro combines all features needed for positional shooting games where every second matters. This competition chassis features a 17" long built-in Arca Elite System (AES) rail, 10 M-LOK mounting slots at 3, 6 and 9 o'clock, a barricade stop, our PRO folding tool-free adjustable rear stock, a multi-position adjustable trigger guard, tunable height ambidextrous extended magazine latch and rubberized vertical grip. Popular optional items such as M-LOK weights, right/left thumb rest and full length night vision bridge can be purchased separately.

NEW



DISCLAIMER

The STRIKE PRO chassis is designed to be compatible with "CENTERFIRE" AICS pattern magazines. Customers looking to use this chassis for "RIMFIRE 22LR" caliber are required to use the dedicated PRO RIMFIRE 22LR MAGAZINE SLEEVE. This caliber is very finicky to feed as rimfire action designs (RimX®, Vudoo®, Bergara®, etc.) and bullet shapes are almost infinite, so fine-tuning may be required to feed reliably.



Optional buttstock bracket for M-LOK weights (#03127-2076-K1). Weights not included.

SHORT ACTION

Dimensions:
37.95" x 2.21" x 7.03"

Folded:
28.15" x 4.29" x 7.03"

Weight (±): 4.15 lb

PRO RIMFIRE 22LR MAGAZINE SLEEVE INCLUDED (#03127-2003-K1)



- 1** PRO tool-free fully adjustable buttstock.
- 2** Monopod rail or optional bean bag riders.
- 3** Adjustable folding hinge with offset cam to remove any possible free play.
- 4** Cadex vertical rubberized grip with forward/rearward adjustable trigger guard.
- 5** Right/left thumb rest kit (2024 now included).
- 6** Ambidextrous extended mag release.
- 7** Adjustable height magazine latch for cartridge feeding fine-tuning.
- 8** Compatible with AICS pattern magazines or AW models if your action is AW compatible. Funnel magwell for faster mag change.
- 9** Right handed, short action calibers only.
- 10** Fits the Cadex CDX-SS SEVEN S.T.A.R.S., CDX-R7 series, all Rem 700 and most custom clone actions. Only available in short action calibers.
- 11** Ultra rigid one-piece monoblock lower receiver and fore-end made out of an aluminum billet.
- 12** Built-in barricade stop.
- 13** 10 M-LOK slots at 3, 6 and 9 o'clock.
- 14** Fully open top chassis. Optional 20 MOA full length night vision bridge available.
- 15** 17" fore-end with built-in Arca Elite System (AES). Minimum flex fore-end, capable to secure up to 5.84 lb of optional weights, for minimized recoil, optimum balance and rigidity.
- 16** Fits up to 1.250" diameter straight barrels.
- 17** Optional PRO handguard for mirage reduction and better front hand grip.

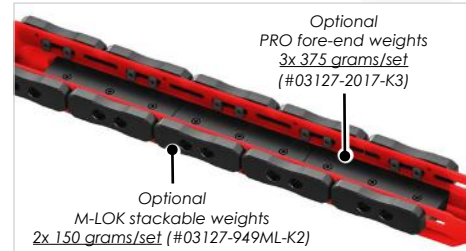
- See all colors available (P. 33-34).
- Accessories table (P. 53).

COMPATIBILITY CHART	SHORT ACTION CALIBERS			
	RIMFIRE	Bolt face "A" (.385") SHORT	Bolt face "B" (.480") STANDARD	Bolt face "C" (.550") SHORT MAGNUM
	22 LR	204 Ruger, 222 Rem, 223 Rem, 5.56mm, 300 Whisper/Blackout	22-250 Rem, 243 Win, 6 BR Norma, 6 Dasher, 6 Creedmoor, 6x47 Lapua, 6.5x47 Lapua, 6.5 Creedmoor, 260 Rem, 7mm-08 Rem, 308 Win	6.5 PRC, 270 WSM, 7 WSM, 300 WSM
MAG TYPE AICS DSSF 3.055"		MAG TYPE AICS DSSF 3.055"		
Cadex Defence®	Vudoo® V-22	CDX-SS SEVEN S.T.A.R.S.	CDX-SS SEVEN S.T.A.R.S., CDX-R7 SHP SA	CDX-R7 SHP SA
Remington®	Bergara® B-14R		REM 700 SA	
Stiller®	Zermatt Arms® RimX		PREDATOR SHORT, TAC-30	

For any Rem 700 Custom Clones, contact Cadex to validate compatibility prior to order.



Fore-end with built-in Arca Elite System (AES) - Bottom view



Optional M-LOK stackable weights 2x 150 grams/set (#03127-949ML-K2)

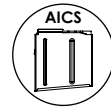


Optional NVD bridge available

COMPATIBLE OPTIONAL ACCESSORIES



STRIKE NUKE EVO



The Cadex Strike Nuke Evo micro-chassis system is designed for shooters looking for traditional stock ergonomics while benefiting from the advantages of a chassis system. Gen2 improved design with M-LOK technology and high density fiberglass reinforced polymer. The Strike Nuke Evo stock fits the CDX-SS SEVEN S.T.A.R.S., the CDX-R7 Series actions, most Rem 700 custom action clones and some Tikka® models. The Strike Nuke Evo is Cerakote coated.



- 1** Adjustable height recoil pad. Neoprene cheek rest.
 - 2** Optional additional spacers to increase the length of pull. (L.O.P.: 13.5"-15.81") and/or 1⁵/₁₆" spacer.
 - 3** Tool-free spring loaded up and down cheek piece adjustment. Side to side adjustable.
 - 4** Built-in flush cups for QD sling attachment (both sides).
 - 5** Optional monopod rail or bean bag riders.
 - 6** Optimized grip angle with comfortable thumb rest.
 - 7** Oversized trigger guard and magazine release for easy manipulation with gloves.
 - 8** Reinforced polymer trigger guard.
 - 9** AICS magazine compatible.
 - 10** Fits Cadex CDX-R7, CDX-SS SEVEN S.T.A.R.S., Rem 700, custom clones and Tikka T3(x) / T3(x) CTR.
 - 11** Optional M-LOK bipod/sling adaptor.
 - 12** Optional M-LOK 3.5" aluminum bipod rail.
 - 13** Optional M-LOK 3" modular rail or M-LOK flush cup adaptor.
 - 14** Ergonomic semi wide fore-end tube with medium and heavy barrel contour inserts.
 - 15** Maximum barrel diameter 1.350" straight taper to 1.250" at muzzle end.
- Built-in aluminum micro-chassis technology (no bedding required).
 - See all colors available (P. 33-34).
 - Accessories table (P. 53).

COMPATIBILITY CHART	SHORT ACTION CALIBERS						
	RIMFIRES	SHORT ACTION CALIBERS			LONG ACTION CALIBERS		XL ACTION CALIBERS
	RIMFIRE	Bolt face "A" (.385") SHORT	Bolt face "B" (.480") STANDARD	Bolt face "C" (.550") SHORT MAGNUM	Bolt face "B" (.480") LONG STANDARD	Bolt face "C" (.550") LONG MAGNUM	Bolt face "D" (.600") SUPER MAGNUM
	22 LR	204 Ruger, 222 Rem, 223 Rem, 5.56mm, 300 Whisper/Blackout	22-250 Rem, 243 Win, 6 BR Norma, 6 Dasher, 6 Creedmoor, 6x47 Lapua, 6.5x47 Lapua, 6.5 Creedmoor, 260 Rem, 7mm-08 Rem, 308 Win	6.5 PRC, 270 WSM, 7 WSM, 300 WSM	220 Swift, 25-06 Rem, 6.5x55 Swedish, 270 Win, 30-06 SPRG	7 Rem Mag, 7 RUM, 28 Nosler, 300 Win Mag, 300 PRC, 300 RUM, 338 Win, 338 RUM	300 Norma Mag, 338 Norma Mag, 338 Lapua Mag
	MAG TYPE Vary based on action	MAG TYPE AICS DSSF 3.055"			MAG TYPE AICS SSSF 3.715", 3.775" or 3.850" CIP		MAG TYPE AICS 3.850" CIP
Cadex Defence®	N/A	CDX-SS SEVEN S.T.A.R.S.	CDX-SS SEVEN S.T.A.R.S., CDX-R7 SHP SA	CDX-R7 SHP SA	CDX-R7 SHP LA	CDX-R7 SHP LA	CDX-R7 SHP LA
Remington®	N/A	REM 700 SA			REM 700 LA	REM 700 LA	REM 700 LA
Siller®	N/A	PREDATOR SHORT, TAC-30			PREDATOR LONG, TAC-300		N/A
Tikka®	T1x (Rimfire)	N/A	T3/T3x (CTR or AICS mags)	T3/T3x (AICS mags)	N/A	N/A	N/A
Vudoo®	V-22 Repeater	N/A			N/A	N/A	N/A

SHORT & LONG ACTION

Dimensions:
31.97" x 2.14" x 6.95"

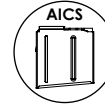
Weight (±):
5.1 lb

COMPATIBLE OPTIONAL ACCESSORIES



For any Defiance Machine® or Rem 700 Custom Clones, contact Cadex to validate compatibility prior to order.

DUAL STRIKE



Also available in
SINGLE SHOT
configuration for CDX-40SS
and CDX-50SS actions



SHORT ACTION (SA) / LONG ACTION (LA)

Dimensions: (SA: 33.5") (LA: 34.25") x 3.1" x 8.13"
Folded: (SA: 24.73") (LA: 25.27") x 4.92" x 8.13"
Weight (±): (SA: 7.27 lb) (LA: 7.43 lb)

50 BMG

Dimensions: 34" x 3.03" x 8.34"
Folded: 24.76" x 5.07" x 8.34"
Weight (±): 8.15 lb

- 1** Fully adjustable stock for length of pull, cheek piece and recoil pad height. (L.O.P.: 12.95" - 14.57")
 - 2** Monopod rail or optional bean bag riders.
 - 3** Reverse folding buttstock offers bolt handle protection and ultra-compact transport.
 - 4** Finger-grooved Cadex rubberized grip.
 - 5** Oversized trigger guard and magazine release for easy manipulation with gloves.
 - 6** 20 MOA full length dual top rail.
 - 7** Made from aircraft grade 6061-T6 aluminum billets, anodized and painted with a military grade non-reflective paint.
 - 8** Detachable base provides easy trigger access for maintenance and trigger adjustment. This allows the platform to maintain zero. Made of aluminum.
 - 9** Optional centre accessory rail kit (2) - Not shown.
 - 10** Spare screws.
 - 11** Optional centre bipod rail.
 - 12** Heavy Duty fore-end tube providing rail placement at 3, 6 and 9 o'clock (included with a flush cup).
 - 13** Maximum barrel diameter 1.800".
- Available with skeleton stock.
 - Multiple interchangeable magazine sleeves are available to fit most AICS magazines on the market.
 - See all colors available (P. 33-34).
 - Accessories table (P. 53).

COMPATIBILITY CHART	RIMFIRES	SHORT ACTION CALIBERS			LONG ACTION CALIBERS		XL ACTION CALIBERS		
	RIMFIRE	Bolt face "A" (.385") SHORT	Bolt face "B" (.480") STANDARD	Bolt face "C" (.550") SHORT MAGNUM	Bolt face "B" (.480") LONG STANDARD	Bolt face "C" (.550") LONG MAGNUM	Bolt face "D" (.600") SUPER MAGNUM	BOLT FACE "E" (.670") SPECIALTY	BOLT FACE "F" (.825") SPECIALTY
	22 LR	204 Ruger, 222 Rem, 223 Rem, 5.56mm, 300 Whisper/Blackout	22-250 Rem, 243 Win, 6 BR Norma, 6 Dasher, 6 Creedmoor, 6x47 Lapua, 6.5x47 Lapua, 6.5 Creedmoor, 260 Rem, 7mm-08 Rem, 308 Win	6.5 PRC, 270 WSM, 7 WSM, 300 WSM	220 Swift, 25-06 Rem, 6.5x55 Swedish, 270 Win, 30-06 SPRG	7 Rem Mag, 7 RUM, 28 Nosler, 300 Win Mag, 300 PRC, 300 RUM, 338 Win, 338 RUM	300 Norma Mag, 338 Norma Mag, 338 Lapua Mag	375 EnABELR, 375 CT, 408 CT	416 Barrett®, 50 BMG
	MAG TYPE Vary based on action	MAG TYPE AICS DSSF 3.055"			MAG TYPE AICS SSSF 3.715", 3.775" or 3.850" CIP		MAG TYPE AICS SSSF 3.715", 3.775" or 3.850" CIP	MAG TYPE CADEX DSSF magazines	MAG TYPE CADEX SSSF magazines
Cadex Defence®	N/A	N/A			N/A		N/A	CDX-40 SHDW	CDX-50 TREMOR®
Remington®	N/A	REM 700 SA (6-48)			REM 700 LA (6-48)		REM 700 LA (8-40)	N/A	
Stiller®	N/A	PREDATOR SHORT (6-48), TAC-30 (8-40)			PREDATOR LONG (6-48), TAC-300 (8-40)		TAC-338 (8-40)	TAC-408	N/A
Surgeon®	N/A	591			1086		1581XL	N/A	
McMillan®	N/A	N/A			N/A		N/A		
Vudoo®	V-22 Repeater	N/A			N/A		TAC-50 (Cadex MAG2538D or McMillan® mags)		
Defiance Machine®	N/A	N/A	REBEL SA		REBEL LA		N/A		

For any Rem 700 Custom Clones, contact Cadex to validate compatibility prior to order.

NSN#: 1005-20-009-7990 (for STKDL-MCM-RH-50)

COMPATIBLE OPTIONAL ACCESSORIES

Centre accessory rail kit (#03127-A083-K2)

Bean bag rider (#03127-269-K1)

ELR bag rider (#03127-950-K1)

Monopod rail with flush cup (#03127-A173-K1)

9" bipod rail (#03127-K015)
**10-32 models only*

Centre bipod rail (#03127-A019-K1)

Buttstock spacer 1 1/4" (#03127-265-K1)
(NSN#: 1005-20-010-6213)

Monopod kit (#MONO-KIT)

Cadex vertical grip (#03127-2007-BLK)

Falcon QD (#7431-K015)

Falcon Life SP (#7431-K102SP)

AES Picatinny rail kit (#AES-PRK431)

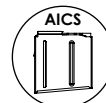
10-32 weights (#03127-921-K2)

Spare magazines

Arca tripod adaptor (#03127-960-K1)

RC2 tripod adaptor (#03127-962-K1)

LITE STRIKE



Also available in **SINGLE SHOT** configuration for CDX-30/300/33SS actions



Available with skeleton stock

The Lite Strike is the refinement of our Dual Strike flagship model. It is the same chassis system but with emphasis on weight reduction. The Lite Strike is exactly 1 pound lighter than its predecessor and features a smaller contour fore-end tube with the same rail capabilities. Its versatility makes it very popular among worldwide special forces units as it suits perfectly the various models of 7.62x51 and 338 Lapua Mag sniper rifles they deploy with.

- 1** Fully adjustable stock for length of pull, cheek piece and recoil pad height. (L.O.P.: 12.95" - 14.57")
 - 2** Monopod rail or optional bean bag riders.
 - 3** Reverse folding buttstock offers bolt handle protection and ultra-compact transport.
 - 4** Finger-grooved Cadex rubberized grip.
 - 5** Oversized trigger guard and magazine release for easy manipulation with gloves.
 - 6** 20 MOA full length top rail.
 - 7** Made from aircraft grade 6061-T6 aluminum billets, anodized and painted with a military grade non-reflective paint.
 - 8** Detachable base provides easy trigger access for maintenance and trigger adjustment. This allows the platform to maintain zero. Made of aluminum.
 - 9** Optional centre accessory rail kit (2) - Not shown.
 - 10** Spare screws.
 - 11** Optional centre bipod rail.
 - 12** Heavy Duty fore-end tube providing rail placement at 3, 6 and 9 o'clock.
 - 13** Maximum barrel diameter 1.350".
- Available with skeleton stock.
 - Multiple interchangeable magazine sleeves are available to fit most AICS magazines on the market.
 - See all colors available (P. 33-34).
 - Accessories table (P. 53).

COMPATIBILITY CHART	SHORT ACTION CALIBERS			LONG ACTION CALIBERS		XL ACTION CALIBERS
	Bolt face "A" (.385") SHORT	Bolt face "B" (.480") STANDARD	Bolt face "C" (.550") SHORT MAGNUM	Bolt face "B" (.480") LONG STANDARD	Bolt face "C" (.550") LONG MAGNUM	Bolt face "D" (.600") SUPER MAGNUM
	204 Ruger, 222 Rem, 223 Rem, 5.56mm, 300 Whisper/Blackout	22-250 Rem, 243 Win, 6 BR Norma, 6 Dasher, 6 Creedmoor, 6x47 Lapua, 6.5x47 Lapua, 6.5 Creedmoor, 260 Rem, 7mm-08 Rem, 308 Win	6.5 PRC, 270 WSM, 7 WSM, 300 WSM	220 Swift, 25-06 Rem, 6.5x55 Swedish, 270 Win, 30-06 SPRG	7 Rem Mag, 7 RUM, 28 Nosler, 300 Win Mag, 300 PRC, 300 RUM, 338 Win, 338 RUM	300 Norma Mag, 338 Norma Mag, 338 Lapua Mag
	MAG TYPE AICS DSSF 3.055"			MAG TYPE AICS SSSF 3.715", 3.775" or 3.850" CIP		MAG TYPE AICS SSSF 3.715", 3.775" or 3.850" CIP
Cadex Defence®	CDX-SS SEVEN S.T.A.R.S.	CDX-SS SEVEN S.T.A.R.S., CDX-R7 SHP SA, CDX-30	CDX-R7 SHP SA, CDX-30	CDX-R7 SHP LA	CDX-R7 SHP LA, CDX-300	CDX-R7 SHP LA, CDX-33
Remington®	REM 700 SA (6-48)			REM 700 LA (6-48)		REM 700 LA (8-40)
Stiller®	PREDATOR SHORT (6-48), TAC-30 (8-40)			PREDATOR LONG (6-48), TAC-300 (8-40)		TAC-338 (8-40)
Tikka®	T3/T3x (Tikka mags)	T3/T3x (Tikka, CTR or AICS mags)	T3/T3x (Tikka or AICS mags)	T3/T3x (Tikka mags)		N/A
Savage Arms®	Discontinued, contact Cadex for availability. Model 10/11/12 Varmint/14/16/110/111/114/116.					

**SHORT ACTION (SA)
LONG ACTION (LA)**

Dimensions:
(SA: 33.13") (LA: 34.05") x 2.57" x 8"

Folded:
(SA: 24.37") (LA: 25.19") x 4.75" x 7.17"

Weight (±):
(SA: 6.24 lb) (LA: 6.39 lb)

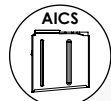
COMPATIBLE OPTIONAL ACCESSORIES



NSN#: 1005-20-011-2714 (for STKLT-PGW-RH-LA)



FIELD COMPETITION



The Field Competition chassis features an open top design to easily adapt most Rem 700 custom clone actions. Perfect for custom actions with integrated top rail, it incorporates a longer mirage mitigation technology fore-end for more bipod placement possibilities. The fore-end tube is compatible with an infinite selection of M-LOK accessories. Perfect for custom rifle builds and PRS competitions, it combines lots of features required by the most demanding shooters in a more economical fixed stock configuration.



SHORT ACTION (SA) / LONG ACTION (LA)

Dimensions:
(SA: 35.66") (LA: 36.51") x 2.3" x 7.17"
Weight (±): (SA: 4.75 lb) (LA: 5.37 lb)

- 1** Tool-free fully adjustable stock for length of pull, cheek piece and recoil pad height. (L.O.P.: 12.95" - 14.25")
 - 2** Cleaning rod opening for easier cleaning.
 - 3** Monopod rail or optional bean bag riders.
 - 4** Finger-grooved Cadex rubberized grip.
 - 5** Oversized trigger guard and magazine release for easy manipulation with gloves.
 - 6** Optic can be mounted directly on the action using traditional scope bases, built-in action rail or optional Picatinny rail.
 - 7** Made from aircraft grade 6061-T6 aluminum billets, anodized and painted with a military grade non-reflective paint.
 - 8** Detachable base provides easy trigger access for maintenance and trigger adjustment. This allows the platform to maintain zero. Made of aluminum.
 - 9** AICS magazine compatible.
 - 10** Optional centre accessory rail kit (2) - Not shown.
 - 11** Optional centre bipod rail (2018 and up production only).
 - 12** A: Optional M-LOK bipod/sling adaptor. B: Optional M-LOK aluminum bipod rail.
 - 13** M-LOK competition fore-end tube featuring mirage mitigation technology. Longer tube for even more bipod positioning and stability.
 - 14** Maximum barrel diameter 1.350".
- Multiple interchangeable magazine sleeves are available to fit most AICS magazines on the market.
 - See all colors available (P. 33-34).
 - Accessories table (P. 53).

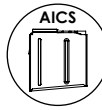
COMPATIBILITY CHART	RIMFIRES	SHORT ACTION CALIBERS			LONG ACTION CALIBERS		XL ACTION CALIBERS
	RIMFIRE	Bolt face "A" (.385") SHORT	Bolt face "B" (.480") STANDARD	Bolt face "C" (.550") SHORT MAGNUM	Bolt face "B" (.480") LONG STANDARD	Bolt face "C" (.550") LONG MAGNUM	Bolt face "D" (.600") SUPER MAGNUM
	22 LR	204 Ruger, 222 Rem, 223 Rem, 5.56mm, 300 Whisper/Blackout	22-250 Rem, 243 Win, 6 BR Norma, 6 Dasher, 6 Creedmoor, 6x47 Lapua, 6.5x47 Lapua, 6.5 Creedmoor, 260 Rem, 7mm-08 Rem, 308 Win	6.5 PRC, 270 WSM, 7 WSM, 300 WSM	220 Swift, 25-06 Rem, 6.5x55 Swedish, 270 Win, 30-06 SPRG	7 Rem Mag, 7 RUM, 28 Nosler, 300 Win Mag, 300 PRC, 300 RUM, 338 Win, 338 RUM	300 Norma Mag, 338 Norma Mag, 338 Lapua Mag
	MAG TYPE Vary based on action		MAG TYPE AICS DSSF 3.055"		MAG TYPE AICS SSSF 3.715", 3.775" or 3.850" CIP		MAG TYPE AICS SSSF 3.715", 3.775" or 3.850" CIP
Cadex Defence®	N/A	CDX-SS SEVEN S.T.A.R.S.	CDX-SS SEVEN S.T.A.R.S., CDX-R7 SHP SA	CDX-R7 SHP SA	CDX-R7 SHP LA	CDX-R7 SHP LA	CDX-R7 SHP LA
Remington®	N/A		REM 700 SA (6-48)		REM 700 LA (6-48)	REM 700 LA (8-40)	REM 700 LA (8-40)
Stiller®	N/A		PREDATOR SHORT (6-48), TAC-30 (8-40)		PREDATOR LONG (6-48), TAC-300 (8-40)	TAC-338 (8-40)	
Surgeon®	N/A		591		1086	N/A	N/A
Tikka®	T1x (Rimfire)	T3/T3x (Tikka mags)	T3/T3x (Tikka, CTR or AICS mags)	T3/T3x (Tikka or AICS mags)	T3/T3x (Tikka mags)		N/A
Vudoo®	V-22 Repeater		N/A		N/A		N/A
Savage Arms®							

For any Defiance Machine® or Rem 700 Custom Clones, contact Cadex to validate compatibility prior to order.

COMPATIBLE OPTIONAL ACCESSORIES



LITE COMPETITION



The Lite Competition chassis features an open top design to easily adapt most Rem 700 custom clone actions. Perfect for custom actions with integrated top rail, it incorporates a longer mirage mitigation technology fore-end for more bipod placement possibilities. The fore-end tube is compatible with an infinite selection of M-LOK accessories. Perfect for custom rifle builds and PRS competitions, it combines lots of features required by the most demanding shooters in a folding stock configuration.



SHORT ACTION (SA) / LONG ACTION (LA)

Dimensions:
 (SA: 35.74") (LA: 36.59") x 2.3" x 7.17"

Folded:
 (SA: 26.75") (LA: 27.57") x 4.6" x 7.17"

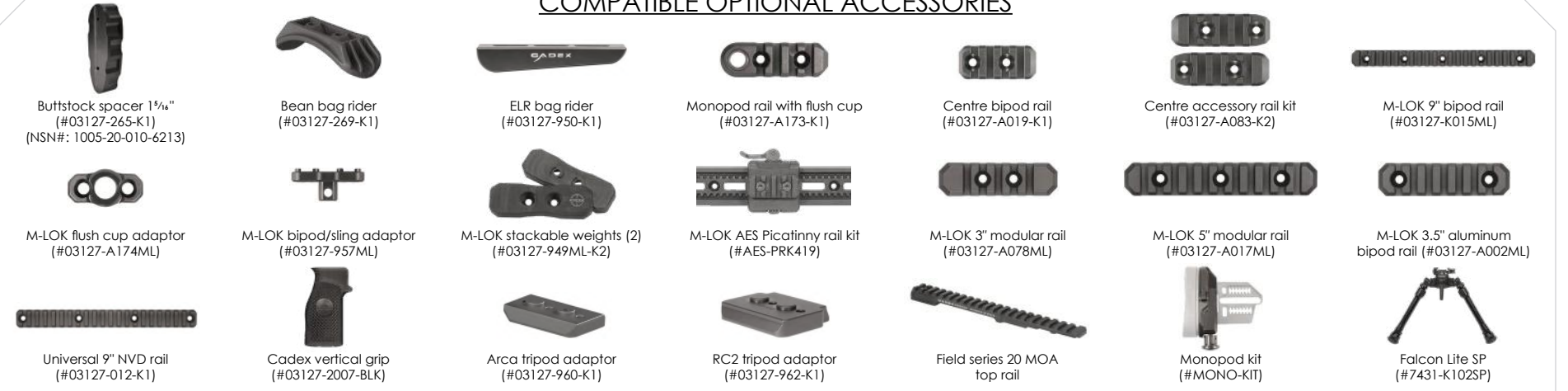
Weight (±): (SA: 5 lb) (LA: 5.61 lb)

- 1** Tool-free fully adjustable stock length of pull, cheek piece and recoil pad height. (L.O.P.: 12.95" - 14.25")
 - 2** Monopod rail or optional bean bag riders.
 - 3** Reverse folding buttstock offers bolt handle protection and ultra-compact transport.
 - 4** Finger-grooved Cadex rubberized grip.
 - 5** Oversized trigger guard and magazine release for easy manipulation with gloves.
 - 6** Optic can be mounted directly on the action using traditional scope bases, built-in action rail or optional Picatinny rail.
 - 7** Made from aircraft grade 6061-T6 aluminum billets, anodized and painted with a military grade non-reflective paint.
 - 8** Detachable base provides easy trigger access for maintenance and trigger adjustment. This allows the platform to maintain zero. Made of aluminum.
 - 9** AICS magazine compatible.
 - 10** Optional centre accessory rail kit (2) - Not shown.
 - 11** Spare screws.
 - 12** Optional centre bipod rail.
 - 13** A: Optional M-LOK bipod/sling adaptor. B: Optional M-LOK aluminum bipod rail.
 - 14** M-LOK competition fore-end tube featuring mirage mitigation technology. Longer tube for even more bipod positioning and stability.
 - 15** Maximum barrel diameter 1.350".
- Multiple interchangeable magazine sleeves are available to fit most AICS magazines on the market.
 - See all colors available (P. 33-34).
 - Accessories table (P. 53).

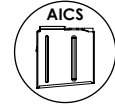
COMPATIBILITY CHART	RIMFIRES	SHORT ACTION CALIBERS			LONG ACTION CALIBERS		XL ACTION CALIBERS
	RIMFIRE	Bolt face "A" (.385") SHORT	Bolt face "B" (.480") STANDARD	Bolt face "C" (.550") SHORT MAGNUM	Bolt face "B" (.480") LONG STANDARD	Bolt face "C" (.550") LONG MAGNUM	Bolt face "D" (.600") SUPER MAGNUM
	22 LR	204 Ruger, 222 Rem, 223 Rem, 5.56mm, 300 Whisper/Blackout	22-250 Rem, 243 Win, 6 BR Norma, 6 Dasher, 6 Creedmoor, 6x47 Lapua, 6.5x47 Lapua, 6.5 Creedmoor, 260 Rem, 7mm-08 Rem, 308 Win	6.5 PRC, 270 WSM, 7 WSM, 300 WSM	220 Swift, 25-06 Rem, 6.5x55 Swedish, 270 Win, 30-06 SPRG	7 Rem Mag, 7 RUM, 28 Nosler, 300 Win Mag, 300 PRC, 300 RUM, 338 Win, 338 RUM	300 Norma Mag, 338 Norma Mag, 338 Lapua Mag
	MAG TYPE Vary based on action	MAG TYPE AICS DSSF 3.055"			MAG TYPE AICS SSSF 3.715", 3.775" or 3.850" CIP		MAG TYPE AICS SSSF 3.715", 3.775" or 3.850" CIP
Cadex Defence®	N/A	CDX-SS SEVEN S.T.A.R.S.	CDX-SS SEVEN S.T.A.R.S., CDX-R7 SHP SA	CDX-R7 SHP SA	CDX-R7 SHP LA	CDX-R7 SHP LA	CDX-R7 SHP LA
Remington®	N/A	REM 700 SA (6-48)			REM 700 LA (6-48)		REM 700 LA (8-40)
Stiller®	N/A	PREDATOR SHORT (6-48), TAC-30 (8-40)			PREDATOR LONG (6-48), TAC-300 (8-40)		TAC-338 (8-40)
Surgeon®	N/A	591			1086		N/A
Tikka®	T1x (Rimfire)	T3/T3x (Tikka mags)	T3/T3x (Tikka, CTR or AICS mags)	T3/T3x (Tikka or AICS mags)	T3/T3x (Tikka mags)		N/A
Vudoo®	V-22 Repeater	N/A			N/A		N/A
Savage Arms®		Discontinued, contact Cadex for availability. Model 10/11/12 Varmint/14/16/110/111/114/116.					

For any Defiance Machine® or Rem 700 Custom Clones, contact Cadex to validate compatibility prior to order.

COMPATIBLE OPTIONAL ACCESSORIES



FIELD TACTICAL



The Field Tactical is a top choice for Law Enforcement units requiring a chassis system with full rail capability at a decent price point. It features a full length 20 MOA top rail and accessory rails at 3, 6 and 9 o'clock. The Field Tactical uses a fixed stock which makes it more budget friendly.

- 1** Tool-free fully adjustable stock for length of pull, cheek piece and recoil pad height. (L.O.P.: 12.95" - 14.25")
 - 2** Cleaning rod opening for easier cleaning.
 - 3** Monopod rail or optional bean bag riders.
 - 4** Finger-grooved Cadex rubberized grip.
 - 5** Oversized trigger guard and magazine release for easy manipulation with gloves.
 - 6** Made from aircraft grade 6061-T6 aluminum billets, anodized and painted with a military grade non-reflective paint.
 - 7** AICS magazine compatible.
 - 8** Detachable base provides easy trigger access for maintenance and trigger adjustment. This allows the platform to maintain zero. Made of aluminum.
 - 9** 20 MOA full length top rail.
 - 10** Optional centre accessory rail kit (2) - Not shown.
 - 11** Small contour fore-end tube providing rail placement at 3, 6 and 9 o'clock.
 - 12** Maximum barrel diameter 1.350".
- Multiple interchangeable magazine sleeves are available to fit most AICS magazines on the market.
 - See all colors available (P. 33-34).
 - Accessories table (P. 53).

COMPATIBILITY CHART	SHORT ACTION CALIBERS			LONG ACTION CALIBERS		XL ACTION CALIBERS
	Bolt face "A" (.385") SHORT	Bolt face "B" (.480") STANDARD	Bolt face "C" (.550") SHORT MAGNUM	Bolt face "B" (.480") LONG STANDARD	Bolt face "C" (.550") LONG MAGNUM	Bolt face "D" (.600") SUPER MAGNUM
	204 Ruger, 222 Rem, 223 Rem, 5.56mm, 300 Whisper/Blackout	22-250 Rem, 243 Win, 6 BR Norma, 6 Dasher, 6 Creedmoor, 6x47 Lapua, 6.5x47 Lapua, 6.5 Creedmoor, 260 Rem, 7mm-08 Rem, 308 Win	6.5 PRC, 270 WSM, 7 WSM, 300 WSM	220 Swift, 25-06 Rem, 6.5x55 Swedish, 270 Win, 30-06 SPRG	7 Rem Mag, 7 RUM, 28 Nosler, 300 Win Mag, 300 PRC, 300 RUM, 338 Win, 338 RUM	300 Norma Mag, 338 Norma Mag, 338 Lapua Mag
MAG TYPE AICS DSSSF 3.055"			MAG TYPE AICS SSSF 3.715", 3.775" or 3.850" CIP		MAG TYPE AICS SSSF 3.715", 3.775" or 3.850" CIP	
Cadex Defence®	CDX-SS SEVEN S.T.A.R.S.	CDX-SS SEVEN S.T.A.R.S., CDX-R7 SHP SA, CDX-30	CDX-R7 SHP SA, CDX-30	CDX-R7 SHP LA	CDX-R7 SHP LA, CDX-300	CDX-R7 SHP LA, CDX-33
Remington®	REM 700 SA (6-48)			REM 700 LA (6-48)		REM 700 LA (8-40)
Siller®	PREDATOR SHORT (6-48), TAC-30 (8-40)			PREDATOR LONG (6-48), TAC-300 (8-40)		TAC-338 (8-40)
Tikka®	T3/T3x (Tikka mags)	T3/T3x (Tikka, CTR or AICS mags)		T3/T3x (Tikka mags)		N/A
Savage Arms®	Discontinued, contact Cadex for availability. Model 10/11/12 Varmint/14/16/110/111/114/116.					

**SHORT ACTION (SA)
LONG ACTION (LA)**

Dimensions:
(SA: 34") (LA: 34.76") x 2.57" x 8"

Weight (±):
(SA: 5.50 lb) (LA: 5.58 lb)

COMPATIBLE OPTIONAL ACCESSORIES



BUTTSTOCK FEATURES

and optional accessories

CADEX ORIGINAL BUTTSTOCK



Pinch tabs to adjust cheek piece height



Reverse folding



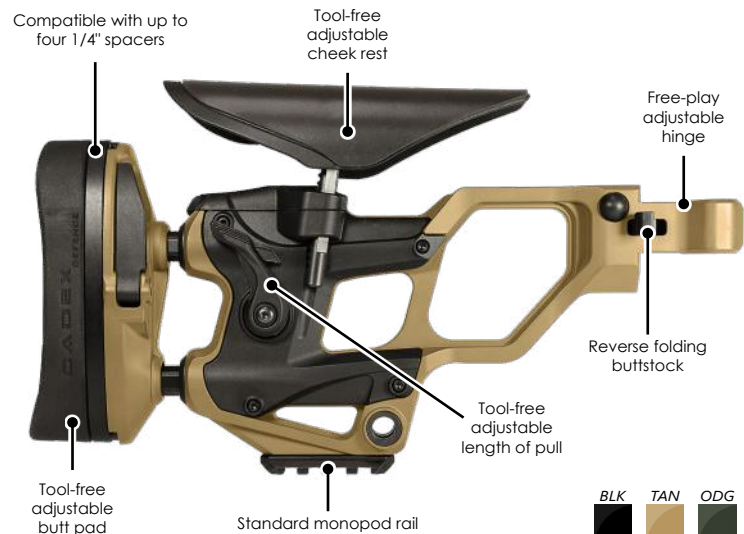
CADEX SKELETON BUTTSTOCK



Tool-free knob retrofit kit
Part#: 03127-A299-K2



CADEX PRO BUTTSTOCK



BUTTSTOCK RETROFIT KIT COMPATIBLE RIFLES

Part#: 03127-A2058-K1

- CDX-R7 LITE/LCP

Part#: 03127-A2050-K1

- CDX-SS PRO/COVERT
- CDX-30/300/33 LITE
- CDX-MC KRAKEN®

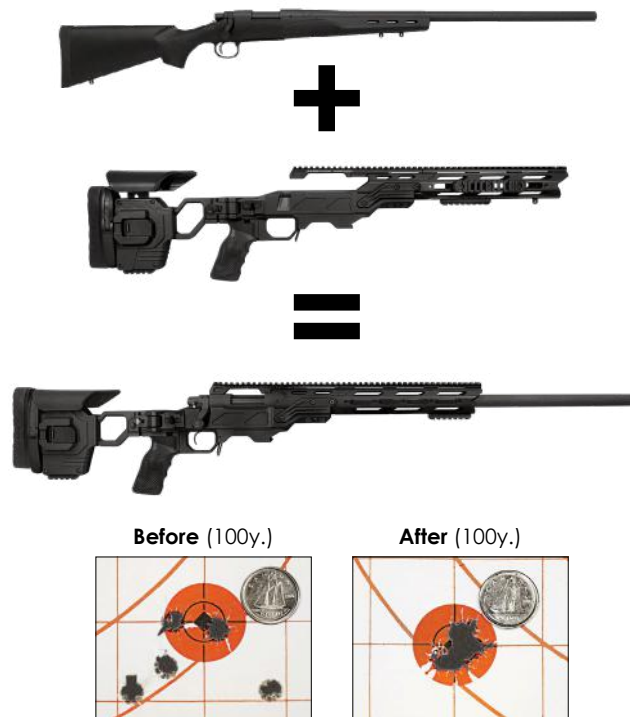
*Please contact Cadex prior to order to make sure it fits your model.

The Cadex PRO buttstock is the latest addition to our line-up of tool-free adjustable buttstocks designed for our rifles and chassis systems. It allows the shooter to rapidly adjust the length of pull, cheek riser height and butt plate positioning without any tools. The dimension of the buttstock has been slightly reduced and unnecessary weight has been removed. It also features our battle-proven reverse folding stock mechanism and its free-play adjustable hinge system which uses an off-set cam to prevent loosening that may develop over time. The PRO buttstock is compatible with all Cadex rifles* and chassis equipped with a folding hinge and is offered in two variants depending on the action model.

*Not compatible with CDX-40 SHDW & CDX-50 Tremor®

MODULAR SYSTEM

Transform your hunting rifle into a precision rifle



Before (100y.)

After (100y.)

DISCONTINUED

Chassis models



Field QD
NSN#: 1005-20-010-7529 (for STKFQD-CTR-RH-SA-ORG)

Tactical Core

Field Core

OT Core

Discontinued models may still be available on request while supplies last. Remington® 700, Savage Arms®, Sako® TRG, etc.

Contact Cadex for more information and specifications.

ACCESSORIES

CADEX RUBBERIZED GRIP

SPECIFICATIONS
Part#: 03127-1075-BLK
Dimensions:
3.38" x 1.8" x 4.13"
8.59 x 4.57 x 10.49 cm
Weight (±): 0.2 lb | 91 grams
Material: Rubber



Featuring the CDX logo

CADEX VERTICAL GRIP

SPECIFICATIONS
Part#: 03127-2007-BLK
Dimensions:
2.53" x 1.77" x 4.13"
6.43 x 4.5 x 10.49 cm
Weight (±): 0.22 lb | 102 grams
Material: Rubber



Featuring the CDX logo

CADEX RECOIL PADS

SPECIFICATIONS
Standard recoil pad
Part#: 175-00087-BLK
TUNDRA/PRO recoil pad
Part#: 03127-934-K1



Featuring the CDX logo

Standard recoil pad
TUNDRA/PRO recoil pad

FEATURES & COMPATIBLE ACCESSORIES

CDX		BUTTSTOCK MODEL				BUTTSTOCK FEATURES				BUTTSTOCK COMPATIBLE ITEMS				CHASSIS COMPATIBLE ITEMS				COMPATIBLE RAILS & ADAPTORS																								
		CADEX STOCK	SKELETON STOCK	PRO STOCK	TAKE-DOWN STOCK	MICRO-CHASSIS	ADJUSTABLE BUTT PAD	ADJUSTABLE CHEEK REST	ADJUSTABLE LENGTH OF PULL	STANDARD MONOPOD RAIL	BUTTSTOCK SPACER 1.5/1.6"	BUTTSTOCK SPACER KIT 1/4"	MONOPOD KIT	MONOPOD RAIL WITH FLUSH CUP	BUTTSTOCK SLING ADAPTOR	BEAN BAG RIDER	ELR BAG RIDER	ARCA TRIPOD ADAPTOR	RC2 TRIPOD ADAPTOR	CENTRE BIPOD ADAPTOR	CENTRE BIPOD RAIL	CENTRE ACCESSORY RAIL KIT (2)	NIGHT VISION CAPABILITY	CADEX VERTICAL GRIP	OD FLUSH CUP ADAPTOR	BIPOD/SLING ADAPTOR	ARCA ELITE S-STEM (AES)	3.5" BIPOD PICATINNY RAIL	5" MODULAR PICATINNY RAIL	9" BIPOD PICATINNY RAIL	UNIVERSAL 3.5" BIPOD/PICATINNY RAIL	FORE-END WEIGHTS	BUTTSTOCK WEIGHTS									
CHASSIS MODELS																																										
FOLDING STOCK	DUAL STRIKE (STKDL)	•	Optional			•	•	•	•	Optional		Optional	Optional	Optional	Optional	Optional	Optional	Optional	Optional	Optional	Optional	Optional	Optional	Optional	Optional	Optional	Optional	Optional	Optional	Optional	Optional	Optional	Optional	Optional	Optional	Optional	Optional	Optional	Optional	Optional		
	LITE STRIKE (STKLT)	•	Optional			•	•	•	•	Optional		Optional	Optional	Optional	Optional	Optional	Optional	Optional	Optional	Optional	Optional	Optional	Optional	Optional	Optional	Optional	Optional	Optional	Optional	Optional	Optional	Optional	Optional	Optional	Optional	Optional	Optional	Optional	Optional	Optional		
	LITE COMPETITION (STKLCP)			•		•	•	•	•	Optional		Optional	Optional	Optional	Optional	Optional	Optional	Optional	Optional	Optional	Optional	Optional	Optional	Optional	Optional	Optional	Optional	Optional	Optional	Optional	Optional	Optional	Optional	Optional	Optional	Optional	Optional	Optional	Optional	Optional	Optional	
	STRIKE PRO (STKPRO)			•		•	•	•	•		Optional		Optional	Optional	Optional	Optional	Optional	Optional	Optional	Optional	Optional	Optional	Optional	Optional	Optional	Optional	Optional	Optional	Optional	Optional	Optional	Optional	Optional	Optional	Optional	Optional	Optional	Optional	Optional	Optional	Optional	Optional
FIXED STOCK	FIELD TACTICAL (STKFT)			•		•	•	•	•	Optional		Optional	Optional	Optional	Optional	Optional	Optional	Optional	Optional	Optional	Optional	Optional	Optional	Optional	Optional	Optional	Optional	Optional	Optional	Optional	Optional	Optional	Optional	Optional	Optional	Optional	Optional	Optional	Optional	Optional	Optional	
	FIELD COMPETITION (STKFCP)			•		•	•	•	•	Optional		Optional	Optional	Optional	Optional	Optional	Optional	Optional	Optional	Optional	Optional	Optional	Optional	Optional	Optional	Optional	Optional	Optional	Optional	Optional	Optional	Optional	Optional	Optional	Optional	Optional	Optional	Optional	Optional	Optional	Optional	
	STRIKE NUKE (STKNUK)				•	•	•	•	Spacers optional	Optional		Optional	Optional	Optional	Optional	Optional	Optional	Optional	Optional	Optional	Optional	Optional	Optional	Optional	Optional	Optional	Optional	Optional	Optional	Optional	Optional	Optional	Optional	Optional	Optional	Optional	Optional	Optional	Optional	Optional	Optional	
	TUNDRA STRIKE (STKTUN)				•				Spacers optional			Optional																														
RIFLE MODELS																																										
FOLDING STOCK	CDX-SS SEVEN S.T.A.R.S. PRO			•		•	•	•	•		Optional		Optional	Optional	Optional	Optional	Optional	Optional	Optional	Optional	Optional	Optional	Optional	Optional	Optional	Optional	Optional	Optional	Optional	Optional	Optional	Optional	Optional	Optional	Optional	Optional	Optional	Optional	Optional	Optional	Optional	
	CDX-SS SEVEN S.T.A.R.S. COVERT			•		•	•	•	•		Optional		Optional	Optional	Optional	Optional	Optional	Optional	Optional	Optional	Optional	Optional	Optional	Optional	Optional	Optional	Optional	Optional	Optional	Optional	Optional	Optional	Optional	Optional	Optional	Optional	Optional	Optional	Optional	Optional	Optional	
	CDX-R7 LCP (LITE COMP)			•		•	•	•	•		Optional		Optional	Optional	Optional	Optional	Optional	Optional	Optional	Optional	Optional	Optional	Optional	Optional	Optional	Optional	Optional	Optional	Optional	Optional	Optional	Optional	Optional	Optional	Optional	Optional	Optional	Optional	Optional	Optional	Optional	
	CDX-MC KRACKEN® (MULTI-CALIBER)	•	Optional			•	•	•	•		Optional		Optional	Optional	Optional	Optional	Optional	Optional	Optional	Optional	Optional	Optional	Optional	Optional	Optional	Optional	Optional	Optional	Optional	Optional	Optional	Optional	Optional	Optional	Optional	Optional	Optional	Optional	Optional	Optional	Optional	
	CDX-30/300/33 LITE	•	Optional			•	•	•	•		Optional		Optional	Optional	Optional	Optional	Optional	Optional	Optional	Optional	Optional	Optional	Optional	Optional	Optional	Optional	Optional	Optional	Optional	Optional	Optional	Optional	Optional	Optional	Optional	Optional	Optional	Optional	Optional	Optional	Optional	Optional
	CDX-40 SHDW	•	Optional			•	•	•	•		Optional		Optional	Optional	Optional	Optional	Optional	Optional	Optional	Optional	Optional	Optional	Optional	Optional	Optional	Optional	Optional	Optional	Optional	Optional	Optional	Optional	Optional	Optional	Optional	Optional	Optional	Optional	Optional	Optional	Optional	Optional
CDX-50 TREMOR®	•	Optional			•	•	•	•		Optional		Optional	Optional	Optional	Optional	Optional	Optional	Optional	Optional	Optional	Optional	Optional	Optional	Optional	Optional	Optional	Optional	Optional	Optional	Optional	Optional	Optional	Optional	Optional	Optional	Optional	Optional	Optional	Optional	Optional	Optional	
FIXED STOCK	CDX-R7 CRBN (CARBON)				•				Spacers optional		Optional																													Optional		
	CDX-R7 SPTR (SPORTER)				•				Spacers optional		Optional																													Optional		
	CDX-R7 SHP				•	•	•	•	Spacers optional	Optional	Optional	Optional	Optional	Optional	Optional	Optional	Optional	Optional	Optional	Optional	Optional	Optional	Optional	Optional	Optional	Optional	Optional	Optional	Optional	Optional	Optional	Optional	Optional	Optional	Optional	Optional	Optional	Optional	Optional	Optional		
	CDX-R7 FCP (FIELD COMP)			•		•	•	•	•	Optional		Optional	Optional	Optional	Optional	Optional	Optional	Optional	Optional	Optional	Optional	Optional	Optional	Optional	Optional	Optional	Optional	Optional	Optional	Optional	Optional	Optional	Optional	Optional	Optional	Optional	Optional	Optional	Optional	Optional	Optional	
	CDX-30/300/33 TAC			•		•	•	•	•	Optional		Optional	Optional	Optional	Optional	Optional	Optional	Optional	Optional	Optional	Optional	Optional	Optional	Optional	Optional	Optional	Optional	Optional	Optional	Optional	Optional	Optional	Optional	Optional	Optional	Optional	Optional	Optional	Optional	Optional	Optional	

LIMITED LIFETIME WARRANTY

At Cadex Defence we take a great sense of pride in the products that we design and produce as well as our customer service. If you are experiencing any problems, we appreciate your understanding with the situation and we will do what is right to help you as we really care for our customers.

We warrant products manufactured by Cadex Inc. to be free of defects in material or workmanship/manufacturing for **one year** following the initial owner's purchase. Cadex Defence reserves the right to cover under warranty, at its own discretion, its products for the **lifetime** of the product if we feel that it didn't meet our high standards of performance. Cadex reserves the right to use its discretion to warranty its products in special scenarios that have or may present themselves that are not noted in this document.

Cosmetic wear and normal wear items including but not limited to the barrel, extractors, ejectors, and springs are not covered by the warranty and it is the responsibility of the owner to assure the weapon is properly maintained.

Your Cadex Defence product was manufactured to perform properly with the original parts as designed. Altering or modifying parts is dangerous and will void the warranty. It is your responsibility to make sure any parts you install are made for this firearm, installed correctly, and that neither the originals nor the replacement parts are altered or changed. Firearms are complex precision tools with many parts that must operate correctly with other parts in order to maintain proper and safe operation. Putting your firearm together improperly or with incorrect or modified parts can result in a damaged firearm, serious personal injury, or death to you and/or others through malfunction. Always have a qualified armorer or gunsmith work on your Cadex Defence system or other firearms.

You can contact us via email or toll free at the contact information listed below.

- Please have the following information ready:
- Product Model
 - Date of Purchase
 - Name
 - Email
 - Serial Number
 - Point of Purchase
 - Address
 - Phone number

CADEX INC.
 755 Avenue Montrichard, St-Jean-sur-Richelieu, Quebec, Canada, J2X 5K8
customerservice@cadexinc.com
 450-348-6774 (CANADA) • 802-466-4003 (USA)
 Toll free: 1-888-348-6774



A message from the owner

For Cadex, customer satisfaction is very important.

If you experience a problem with one of our dealers or distributors don't wait for the situation to get worse before bringing it to our attention. We firmly believe that with good communication and a little goodwill from both sides we will be able to find a solution to your problem.

Please contact us as soon as possible if you ever encounter any issues with one of our products.

- Serge Dextraze, Cadex CEO

BARREL SELECTION

In order to offer the best extreme range SUB-MOA precision rifles, we selected some of the best barrels on the market. As every barrel design has its strengths and weaknesses, we coupled each specific barrel to a specific application. The ELR shooter is looking for a heavy and extremely stiff bull barrel capable of giving him the extreme range stability that he's looking for. The weekend shooting range enthusiast is looking for the "best bang for your buck" barrel capable of consistently producing tight groups while remaining stable under heat. The back country hunter is looking for a lightweight hunting profiled barrel capable of delivering one perfectly placed shot. If you select the right barrel for the right application you won't be disappointed by any of these top of the line picks.



CADEX BARRELS

After years of making barrels from steel blanks of various barrel makers, we realized that it was not rocket science and once equipped with the best machines, we'd be able to produce the best barrels. A million dollar investment later, we are producing our own barrels in-house using state-of-the-art equipment from Unisig USA. We are not using some old refurbished 1950's gun drills like most other barrel makers; we are talking here about the latest technology in deep hole drilling, producing the tightest tolerances in the industry. Our barrels are drilled in one single operation, stress relieved for stability, contoured, chambered and fluted on CNC machines, lapped and "air gap" tested for concentricity to finish. Our in-house barrels are definitely superior to the barrels that we were sourcing for years. These are guaranteed to produce SUB-MOA groups with quality match grade ammo.

BUTTON RIFLING



BARTLEIN® BARRELS

Bartlein® barrels are known to use the most advanced single point cut rifling process in the industry. Their barrels are top notch and there's a good chance that their performance will outshoot your shooting skills, at least in the early stage of your shooting learning curve. When you buy a Bartlein®, you buy peace of mind. Backed by their great reputation, you know that if something ever goes wrong with your rifle, there's very low chances that it will come from your barrel. We equip most of our rifles with Bartlein® barrels because it's a guarantee of quality.

SINGLE POINT CUT RIFLING



BARTLEIN® CARBON FIBER BARRELS

Bartlein® carbon fiber wrapped barrels are everything you would expect from a Bartlein® barrel. They produce exceptional performance and consistency. Carbon wrapped barrels are about 25% lighter than conventional stainless steel barrels of the same contour. We selected the 5R single point cut rifling technology for easier cleaning and reduced projectile deformation. Oriented strand wrapping technique produces the most consistent barrels on the market. If you are looking for the stability of a bull barrel without the extra weight, the Bartlein® carbon fiber barrel is the perfect choice.



BARRELED ACTIONS

Cadex is known to produce the best chassis systems on the market. Our quality has no match in the industry but we understand that some customers may not have the same budget and needs as the military. Some also prefer the feel and look of a good old fashioned fiberglass stock even if the build process is much more complex than a bolt-on chassis system. Others prefer to inlet their own wood stocks... This is why Cadex is offering barreled actions.

Barreled actions are available on request and since variants are almost infinite, we recommend that you contact our customer service department to find answers to your questions. Our staff are highly knowledgeable and will be able to provide you with professional advice to ensure the success of your new project.

If we offer it as a complete rifle, then it is available as a barreled action.

BARREL SELECTION

- Cadex button rifling straight taper fluted match grade barrels
- Bartlein® single point cut rifling straight taper fluted match grade barrels
- Bartlein® carbon fiber barrels (for the CDX-R7 Hunting Series action only)

ACTION MODEL	ACTION TYPE	FOOTPRINT	DIAMETER	BOLT TYPE	BARREL TYPE	MATERIAL	TYPE	PROFILE	FLUTING
CDX-SS SEVEN S.T.A.R.S.	REPEATER	REM 700	1.350"	Fast 3 lug 60° bolt throw bolt design. Perfect for PRS competitions. (See all specs at P. 57)	BARTLEIN	STAINLESS	SINGLE POINT CUT	SEMI-BULL	YES
CDX-R7 HUNTING SERIES	REPEATER	REM 700	1.350"	Ultra-fast 4 lug 50° bolt throw low profile fat bolt design. Designed for hunters. (See all specs at P. 58)	CADEX	STAINLESS	BUTTON RIFLING	SPORTER	YES
CDX-R7 HUNTING SERIES	REPEATER	REM 700	1.350"	Ultra-fast 4 lug 50° bolt throw low profile fat bolt design. Designed for hunters. (See all specs at P. 58)	BARTLEIN	STAINLESS	SINGLE POINT CUT	SPORTER	YES
CDX-R7 HUNTING SERIES	REPEATER	REM 700	1.350"	Ultra-fast 4 lug 50° bolt throw low profile fat bolt design. Designed for hunters. (See all specs at P. 58)	BARTLEIN CARBON FIBER	CARBON FIBER	SINGLE POINT CUT	SEMI-BULL	NO
CDX-R7 SERIES	REPEATER	REM 700	1.350"	Ultra-fast 4 lug 50° bolt throw fat bolt design. Perfect for PRS competitions. (See all specs at P. 58)	CADEX	STAINLESS	BUTTON RIFLING	SEMI-BULL	YES
CDX-R7 SERIES	REPEATER	REM 700	1.350"	Ultra-fast 4 lug 50° bolt throw fat bolt design. Perfect for PRS competitions. (See all specs at P. 58)	BARTLEIN	STAINLESS	SINGLE POINT CUT	SEMI-BULL	YES
CDX-30/300/33 SERIES	REPEATER	CADEX	1.550"	3 lug 60° short bolt throw Sako® style. Extremely rigid, smooth and stylish. (See all specs at P. 59)	BARTLEIN	STAINLESS	SINGLE POINT CUT	BULL BARREL	YES
CDX-30/300/33SS SERIES	SINGLE SHOT	CADEX	1.550"	Single shot 3 lug 60° short bolt throw Sako® style. Extremely rigid, smooth and stylish. (See all specs at P. 31 & 59)	BARTLEIN	STAINLESS	SINGLE POINT CUT	BULL BARREL	NO
CDX-40 SHDW	REPEATER	CADEX	1.600"	3 lug 60° short bolt throw fat bolt design. (See all specs at P. 60)	BARTLEIN	STAINLESS	SINGLE POINT CUT	BULL BARREL	YES
CDX-40SS SHDW	SINGLE SHOT	CADEX	1.600"	Single shot 3 lug 60° short bolt throw fat bolt design. (See all specs at P. 31 & 60)	BARTLEIN	STAINLESS	SINGLE POINT CUT	HEAVY BULL BARREL	NO
CDX-50 TREMOR®	REPEATER	CADEX	1.960"	4 lug 50° short bolt throw fat bolt design. Strongest 50 BMG repeater action on the market due to its single stack magazine. (See all specs at P. 60)	BARTLEIN	STAINLESS	SINGLE POINT CUT	BULL BARREL	YES
CDX-50SS TREMOR®	SINGLE SHOT	CADEX	1.960"	Single shot 4 lug 50° short bolt throw fat bolt design. (See all specs at P. 31 & 60)	BARTLEIN	STAINLESS	SINGLE POINT CUT	HEAVY BULL BARREL	NO



CDX-SS SEVEN S.T.A.R.S.

Rem 700 footprint - Custom actions

DLC COATING



Shown with optional tactical bolt knob

"A" group bolt face (Ø 0.385") 3 lug - 60°

"B" group bolt face (Ø 0.480") 3 lug - 60°

Bolt shown with standard round bolt knob

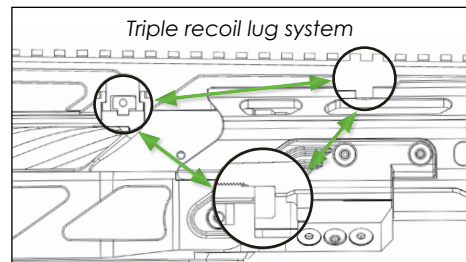
RECEIVER

- Machining: CNC and wire EDM
- Material: Stainless 416
- Length: 7.855"
- Diameter: 1.350"
- Thread: 1½" - 18 TPI
- Hardness: 41-43 HRC
- Deep laser engraving markings
- Cerakote finish (see colors P. 33-34)
- .250" hardened steel recoil lug
- 20 MOA stainless steel top rail with unique localization system machined into the action upper section
- Cadex proprietary bolt stop
- 8-40 top rail screws
- Short Action AICS DSSF 3.055"
- Perfect Rem 700 footprint (no modification required)
- Compatible with the Cadex DX2 EVO trigger or some Rem Style aftermarket triggers

BOLT

- Machining: CNC
- Material: Stainless 416
- Cadex heavy duty extractor
- Ejector: Rem Style
- Hardness: 43-45 HRC
- Standard round bolt knob (optional tactical bolt knob sold separately - low profile hunting knob available on request)
- Shroud with cocking indicator
- Multiple bolt faces available: Type A (.385"), B (.480")
- DLC coated spiral fluted 3 lug bolt with 60° bolt throw
- Optimized for most popular PRS competition calibers such as 6 BR Norma, 6 Dasher, 6 Creedmoor, 6.5 Creedmoor up to 308 Win

Visit our website to download the barrel shank drawing: www.cadexdefence.com



✓ Small Rifle Primer (SRP) ✓ Large Rifle Primer (LRP)

CDX-R7 SERIES

Rem 700 footprint - Custom actions

DLC COATING



- Also available in left handed variant
- CDX-R7 Hunting variant also available

"B" group bolt face (Ø 0.480") 4 lug - 50°

"C" group bolt face (Ø 0.550") 4 lug - 50°

"D" group bolt face (Ø 0.600") 4 lug - 50°

Interchangeable top rails with unique localization system machined into the upper section

RECEIVER

- Machining: CNC
- Material: Stainless 416
- Short Action length: 7.85" Long Action length: 8.70"
- Diameter: 1.350"
- Thread: 1½" - 18 TPI
- Hardness: 41-43 HRC
- Deep laser engraving markings
- Cerakote finish (see colors P. 33-34)
- .250" hardened steel recoil lug
- 20 MOA stainless steel Picatinny rail (optional 0, 30 MOA)
- 8-40 top rail screws
- Cadex proprietary heavy duty bolt stop and pin
- Short Action: AICS DSSF 3.055" Long Action: AICS up to 3.850" CIP (No modification required)
- Compatible with the Cadex DX2 EVO trigger or some Rem style aftermarket triggers

BOLT

- Machining: CNC
- Material: Stainless 416
- Cadex heavy duty extractor
- Ejector: Rem style
- Tool-free bolt disassembly
- Hardness: 43-45 HRC
- Multiple bolt faces available: Type B (.480"), C (.550"), D (.600")
- Shroud with cocking indicator
- Cadex design cocking piece
- Standard round bolt knob (optional tactical bolt knob sold separately - low profile hunting knob available on request)
- DLC coated spiral fluted 4 lug bolt with 50° bolt throw for ultra-fast cycling
- Not recommended for small rifle primers

Visit our website to download the barrel shank drawing: www.cadexdefence.com



Compatible with any Cadex chassis for R7 actions



✗ Small Rifle Primer (SRP) ✓ Large Rifle Primer (LRP)



Bolt shown with standard round bolt knob

**REPEATER
or SINGLE SHOT**

CDX-30/300/33

Custom actions

DLC COATING



Shown with optional tactical bolt knob



"B" group bolt face
(Ø 0.480") 3 lug - 60°



"C" group bolt face
(Ø 0.550") 3 lug - 60°



"D" group bolt face
(Ø 0.600") 3 lug - 60°



Bolt shown with optional tactical bolt knob

RECEIVER

- Machining: CNC and wire EDM
- Material: Stainless 416
- Length: Long action 9"
- Diameter: 1.550"
- Thread: 1 1/8" - 18 TPI
- Hardness: 41-43 HRC
- .350" hardened steel recoil lug
- Deep laser engraving markings
- 8-40 top rail screws
- Cerakote finish (see colors P. 33-34)

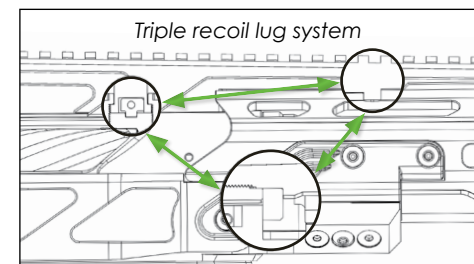
- 20 MOA stainless steel Picatinny rail
- Cadex proprietary heavy duty bolt stop and pin
- Unique top rail localization system with integrated recoil groove machined into the action upper section
- Magazine cut out: (SA) AICS DSSF or (LA) AICS SSSF
- Cadex proprietary footprint
- Compatible with the Cadex DX2 EVO trigger or some Rem Style aftermarket triggers

BOLT

- Machining: CNC
- Material: Stainless 416
- Firing pin: Cadex design with improved locktime
- Cadex heavy duty extractor
- Ejector: Rem style
- Easy 1/4 turn tool-free bolt disassembly
- Hardness: 43-45 HRC
- Multiple bolt faces available: Type B (.480"), C (.550"), D (.600")
- Cadex design cocking piece

- DLC coated spiral fluted 3 lug bolt with 60° bolt throw
- Shroud: Cadex design with 2 position top safety
- Standard round bolt knob (optional tactical bolt knob sold separately)
- Easy firing pin assembly replacement
- Not recommended for small rifle primers

Visit our website to download the barrel shank drawing: www.cadexdefence.com



CDX-40/50

Custom actions

DLC COATING



Shown with optional tactical bolt knob



CDX-40
"E" group bolt face
(Ø 0.670") 3 lug - 60°



CDX-50
"F" group bolt face
(Ø 0.825") 4 lug - 50°



CDX-40
Bolt shown with standard round bolt knob

CDX-50 TREMOR engraving shown

RECEIVER

- Machining: CNC
- Material: Stainless 416
- Length: (40: 10") (50: 11.900")
- Diameter: (40: 1.600") (50: 1.960")
- Thread: (40: 1 1/8" - 18 TPI) (50: 1 1/2" - 18 TPI)
- Hardness: 41-43 HRC
- 40: .350" hardened steel recoil lug
- 50: .420" hardened steel recoil lug
- Heavy duty 10-32 top rail screws
- Cerakote finish (see colors P. 33-34)

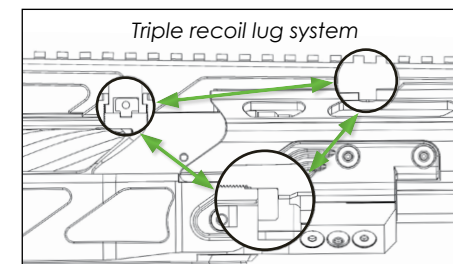
- 20 MOA stainless steel Picatinny rail
- Cadex proprietary heavy duty bolt stop and pin
- Unique top rail localization system with integrated recoil groove machined into the action upper section
- Magazine cut out: Cadex SSSF or DSSF
- Cadex proprietary footprint
- Compatible with the Cadex DX2 EVO trigger or some Rem Style aftermarket triggers
- Deep laser engraving markings

BOLT

- Machining: CNC
- Material: Stainless 416
- Firing pin: Cadex design with improved locktime
- Cadex heavy duty extractor
- Ejectors: Rem style double ejectors
- Easy 1/4 turn tool-free bolt disassembly
- Hardness: 43-45 HRC
- Easy firing pin assembly replacement
- Shroud: Cadex design with 2 position top safety

- Standard round bolt knob (optional tactical bolt knob sold separately)
- DLC coated spiral fluted bolt
- Cadex design cocking piece
- Bolt face type E (.670"): 375 EnABELR, 375/408 CT
- Bolt face type F (.825"): 416 Barrett®, 50 BMG

Visit our website to download the barrel shank drawing: www.cadexdefence.com



CDX-MC KRAKEN®

Multi-caliber action - Not sold separately

DLC COATING



STANDARD

"B" group bolt face
(Ø 0.480") 3 lug - 60°

MAGNUM

"C" group bolt face
(Ø 0.550") 3 lug - 60°

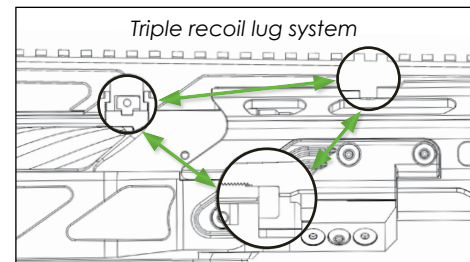
SUPER MAGNUM

"D" group bolt face
(Ø 0.600") 3 lug - 60°

Bolt shown with optional tactical bolt knob

RECEIVER

- Machining: CNC
- Material: Stainless 416
- Length: 9.150"
- Diameter: 1.550"
- Thread: 1 1/4" - 18 TPI
- Hardness: 41-43 HRC
- .350" integral recoil lug
- Deep laser engraving markings
- Fits up to 3.850" magazines
- Cerakote finish (see colors P. 33-34)
- #10-32 top rail screws
- Cadex proprietary heavy duty bolt stop and pin
- Unique top rail localization system with integrated recoil groove machined into the action upper section
- Magazine cut out: Short action AICS DSSF or Long action AICS SSSF
- Cadex proprietary footprint
- Compatible with the Cadex DX2 EVO trigger or some Rem Style aftermarket triggers



BOLT

- Machining: CNC
- Material: Stainless 416
- Firing pin: Cadex design with improved locktime
- Cadex heavy duty extractor
- Ejector: Rem style
- Easy 1/4 turn tool-free bolt disassembly
- Hardness: 43-45 HRC
- Multiple bolt faces available: Type B (.480"), C (.550"), D (.600")
- Shroud: Cadex design with 2 position top safety
- Standard round bolt knob (optional tactical bolt knob sold separately)
- DLC coated spiral fluted 3 lug bolt with 60° bolt throw for rapid cycling
- Cadex design cocking piece
- Easy firing pin assembly replacement
- Same firing pin for all calibers

Visit our website to download the barrel shank drawing: www.cadexdefence.com

OPTIMIZED FOR



Kraken® universal firing pin assembly (Part#: 3850-K016)



BOLT ASSEMBLY KIT

BOLT ASSEMBLY REPLACEMENT PARTS						
SERIES	TYPE	BOLT KIT WITHOUT FIRING PIN	FIRING PIN KIT	EXTRACTOR KIT	EJECTOR KIT	
CDX-SS	SA	A	SS-BOLT-TA-KD	3850-K020	3850-K037 3850-K030	3850-K038 3850-K038
		B	SS-BOLT-TB-KD			
CDX-HUNTING	SA	B	HUNT-SA-BOLT-TB-KD	3850-K017	3850-K030 3850-K031	3850-K038 3850-K044
		C	HUNT-SA-BOLT-TC-KD			
	LA	B	HUNT-LA-BOLT-TB-KD	3850-K019	3850-K030 3850-K031	3850-K038 3850-K023
		C	HUNT-LA-BOLT-TC-KD		3850-K032	3850-K023
CDX-R7	SA	B	R7-SA-BOLT-TB-KD	3850-K017	3850-K030 3850-K031	3850-K038 3850-K044
		C	R7-SA-BOLT-TC-KD			
	LA	B	R7-LA-BOLT-TB-KD	3850-K019	3850-K030 3850-K031	3850-K038 3850-K023
		C	R7-LA-BOLT-TC-KD		3850-K032	3850-K023
CDX30/300/33		B	LITE-BOLT-TB-KD	3850-K008	3850-K010	3850-K009
		C	LITE-BOLT-TC-KD		3850-K011	3850-K009
		D	LITE-BOLT-TD-KD		3850-K012	3850-K009
CDX-MC		B	KRKN-BOLT-TB-KD	3850-K016	3850-K010	3850-K043
		C	KRKN-BOLT-TC-KD		3850-K011	3850-K022
		D	KRKN-BOLT-TD-KD		3850-K012	3850-K022
CDX-40	E	SHDW-BOLT-TE-KD	3850-K014	7145-K003	7145-K004	
CDX-50	F	TRMR-BOLT-TF-KD	3850-K015	6452-K003	6452-K004	
LEFT HANDED CONFIGURATIONS						
CDX-R7	SA	B	R7-LH-SA-BOLT-TB-KD	3850-K017	3850-K030	3850-K038
		C	R7-LH-SA-BOLT-TC-KD		3850-K031	3850-K044

BOLT KIT WITHOUT FIRING PIN INCLUDES:

Bolt body with round bolt knob (installed), extractor kit (installed), ejector kit (installed). *Firing pin sold separately.*

BOLT ASSEMBLY

You lost your bolt, damaged it or simply need one of another caliber? Look no further. We offer replacement bolt assemblies for each actions that we manufacture. It includes the bolt body, operating handle, extractor and ejector kit. Firing pin assemblies are sold separately. Contact Cadex with your serial number in hand and we'll help you out.

**Firing pin sold separately*



EJECTOR AND EXTRACTOR KITS

Every rifle requires periodic maintenance to stay in good condition. Some parts wear out and will eventually need to be replaced due to normal wear. Cadex offers replacement extractor or ejector kits for all of its bolts. These kits include the extractor/ejector(s), pins and springs.



Ejector kit

Extractor kit

**Some ejector kit may contain more parts base on action model*

NSN#: 1005-20-011-9878
(extractor kit for CDX-40)

BOLT KNOBS



Round knob (standard)

Tactical knob (optional)

Hunting knob (standard hunting models)

- One piece 4140 steel screw-in bolt handle
- 1/4-28 threaded
- Round knob (standard round bolt knob)
- Tactical knob (oversized cross hatch bolt knob)
- Hunting knob (low profile slim round bolt knob)
- Green Loctite® recommended

FITS ALL CADEX RIFLES 2019 +

For older generation rifles, please contact Cadex prior to order any replacement bolt knobs.

Round knob
Part#: 3850-325D

Dimensions:
0.98" x 2.98"
2.49 x 7.57 cm

Weight (±):
0.24 lb | 110 grams

Material: Steel 4140

Tactical knob
Part#: 3850-325A

Dimensions:
0.85" x 2.97"
2.16 x 7.54 cm

Weight (±):
0.14 lb | 66 grams

Material: Steel 4140

Hunting knob
Part#: 3850-325LPD

Dimensions:
0.7" x 2.38"
1.78 x 6.05 cm

Weight (±):
0.09 lb | 41 grams

Material: Steel 4140

GUNSMITHING

ACTION WRENCHES

Action wrenches are mandatory when it comes to removing or installing a barrel on an action. Failure to use the right tool could result in damages to the action. Action wrenches are designed to engage the locking lugs of the action while applying the recommended torque.



ACTION WRENCHES PART#

- CDX-SS Short Action**
Part#: SS-WRENCH-SA
- CDX-R7 Short Action**
Part#: R7-WRENCH-SA
- CDX-R7 Long Action**
Part#: R7-WRENCH-LA
- CDX-30/300/33**
Part#: LITE-WRENCH
- CDX-40**
Part#: SHDW-WRENCH
(NSN#: 5120-20-012-0401)
- CDX-50**
Part#: TRMR-WRENCH

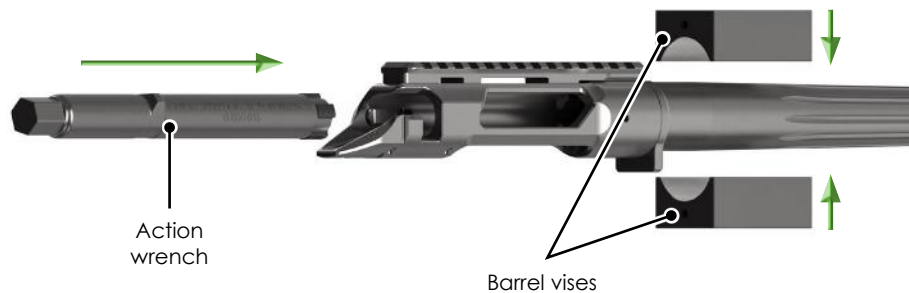
BARREL VISES

Barrel vises are mandatory when it comes to removing or installing a barrel on an action. Failure to use the right tool could result in damages to the barrel. Barrel vises are designed to clamp and secure the barrel in place within the conventional vice jaws without damaging the surface finish. Make sure to use the right vise for the right barrel diameter.



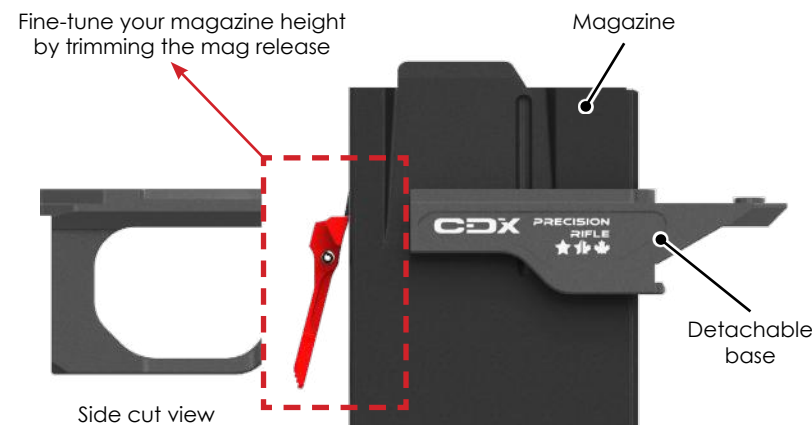
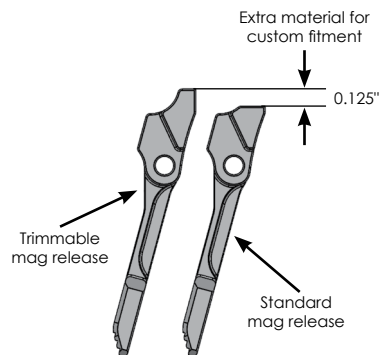
BARREL VISES PART#

- CDX-R7/CDX-SS**
Part#: R7-VISE
- CDX-30/300/33**
Part#: LITE-VISE
- CDX-40**
Part#: SHDW-VISE
(NSN#: 4933-20-011-9982)
- CDX-50**
Part#: TRMR-VISE



TRIMMABLE MAG RELEASE - Part#: 03127-073-K1

Lots of custom actions are trying to replicate the Rem 700 action footprint. However, they often have proprietary features leading to dimensional changes which then require minor modifications such as magazine height adjustability. The trimmable mag release has been manufactured with extra material on purpose so that it could be trimmed to the appropriate length, based on the calculations of a qualified gunsmith. It provides the ability to fine-tune the magazine seating height versus action ramping in order to improve the feeding of certain shapes of ogives.



GO/NO-GO GAUGES

Go and No-Go gauges are mandatory when it comes to installing a new barrel on an action. It is imperative to confirm the rifle headspace prior to firing any ammunition in it. Wrong headspace can result in catastrophic failure resulting in an explosion causing serious injuries or death. Only qualified gunsmiths or properly trained shooters should proceed with the installation of a new barrel on a rifle.



BOTTOM METALS

Bottom metals for CDX-30/300/33 series are designed to accommodate AICS pattern magazines.

Compatible magazines (short action):

- 00100-0037
- 00100-0041
- 00100-0006
- 00100-0040
- 00100-0008

Compatible magazines (long action):

- 00100-0001
- 00100-0004
- 00100-0023-CAD
- 00100-0044
- 00100-0003
- 00100-0005
- 00100-0022
- 00100-0020
- 00100-0039
- 00100-0043

(AICS magazine specs P. 65)

Bottom metal for:

CDX-30 action
Part#: BMCDX-DSSF-3055

Mag type: AICS
Model: DSSF 3.055"



Bottom metals for:

CDX-300 & CDX-33 actions
Part#: BMCDX-SSSF-3850

Mag type: AICS
Model: SSSF 3.715" to 3.850" (adjustable)



Pillars and screws included with all bottom metals



CDX-40 BOTTOM METALS

The CDX-40 bottom metal was born from the lack of quality magazines on the market for 375/408 CT. The poor reliability of these mags forced us to create our own mag design to outfit the CDX-40 SHDW. We also developed a bottom metal of the same quality for Stiller® Tac-408 1.45" and 1.60" actions.

Bottom metals for:

CDX-40 action
(375 EnABELR/375 CT/408 CT)
Part#: BMCDX-DSSF-4725

ALSO AVAILABLE FOR:
Stiller® 375/408 (1.45" or 1.60")
Part#: BMSTL14-DSSF-4725
Part#: BMSTL16-DSSF-4725

Mag type: Cadex
Model: DSSF 4.725"



Compatible magazines:

- MAG 4300
- MAG 4309 (see specs P. 66)

CDX-50 BOTTOM METAL

The bottom metal for our CDX-50 Tremor® is built to match the same quality as the rifle itself. Feeding issues and magazine fitting will never be a problem with our Cadex design.

Bottom metal for:

CDX-50 Tremor® action
Part#: BMCDX-SSSF-5790

Mag type: MAG 2949
Model: SSSF 5.790"

Compatible magazine:

- MAG 2949 (see specs P. 66)

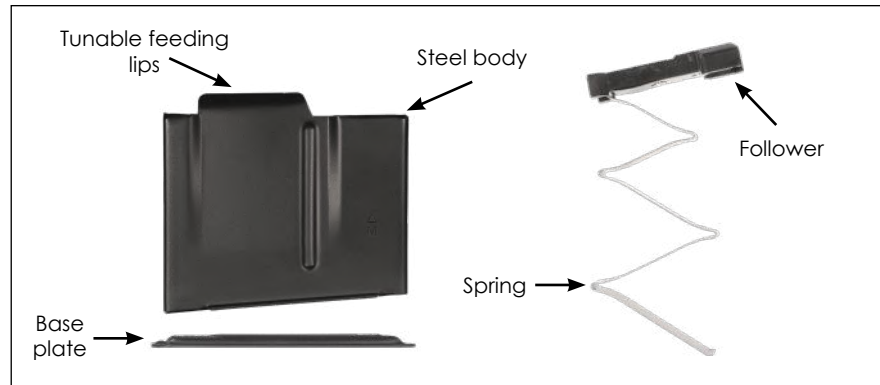


Drawing and inletting measurements available on request at customerservice@cadexinc.com

AICS MAGAZINES

AICS pattern magazines dominate both recreational and military markets because they are affordable, reliable and commonly used by rifle manufacturers. Rather than trying to reinvent the wheel, Cadex teamed up with Accurate-Mag®, a manufacturer offering a wider magazine selection than any other. We offer AICS magazines for more than 25 different calibers and in various lengths and capacity based on your preferred utilization. These magazines are military grade, made of rigid steel with solid anti-corrosion coating. They can be cleaned or lubricated easily by taking down the base plate and the magazine spring may be replaced as needed after years of intensive use.

*Magazine fitment chart VS chassis systems P. 142



	PART #	CALIBERS	MAG TYPE	EXTERNAL LENGTH	INTERNAL LENGTH	MAG CAPACITY
SHORT ACTION CALIBERS	MAG100-0037	204 Ruger / 223 Rem	DSSF	3.055"	2.375"	10
	MDT-223	204 Ruger / 223 Rem / 300 Blackout	DSSF	3.055"	2.520"	10
	MDT-6MM	6 BR Norma / 6 Dasher	DSSF	3.055"	2.600"	12
	MAG100-0041	22-250 Rem / 243 Win / 6 Creedmoor / 6.5x47 Lapua 6.5 Creedmoor / 260 Rem / 308 Win	DSSF	3.055"	2.990"	5
	MAG100-0040	22-250 Rem / 243 Win / 6 Creedmoor / 6.5x47 Lapua 6.5 Creedmoor / 260 Rem / 308 Win	DSSF	3.055"	2.990"	10
	MAG100-0006	6.5 PRC / 270 WSM / 300 WSM / 7 WSM	DSSF	3.055"	2.990"	3
LONG ACTION CALIBERS	MAG100-0008	6.5 PRC / 270 WSM / 300 WSM / 7 WSM	DSSF	3.055"	2.990"	7
	MAG100-0039	25-06 Rem / 270 Win / 30-06 SPRG	SSSF	3.715"	3.640"	5
	MAG100-0001	7mm Rem Mag / 300 WM / 338 Win	SSSF	3.715"	3.640"	5
	MAG100-0023	7mm Rem Mag / 300 WM / 338 Win	SSSF	3.850"	3.755"	5
	MAG100-0023-CDX	28 Nosler / 300 PRC	SSSF	3.850"	3.755"	5
	MAG100-0044	300 RUM / 338 RUM	SSSF	3.715"	3.640"	5
	MAG100-0043	300 RUM / 338 RUM	SSSF	3.850"	3.755"	5
	MAG100-0003	300 NM / 338 NM / 338 Lapua	SSSF	3.715"	3.640"	5
	MAG100-0022	300 NM / 338 NM / 338 Lapua	SSSF	3.850"	3.775"	5
	MAG100-0020	300 NM / 338 NM / 338 Lapua	DSSF	3.850"	3.775"	5
KRAKEN® ONLY	MAG100-0086	300 NM / 338 NM / 338 Lapua	DSSF	3.850"	3.775"	10



MAG100-0037

- Short Action
- 3.055" DSSF
- 10 round



MDT-223

- Short Action
- 3.055" DSSF
- 10 round



MDT-6MM

- Short Action
- 3.055" DSSF
- 12 round



MAG100-0041

- Short Action
- 3.055" DSSF
- 5 round



MAG100-0040

- Short Action
- 3.055" DSSF
- 10 round



MAG100-0006

- Short Action
- 3.055" DSSF
- 3 round



MAG100-0001

- Long Action
- 3.715" SSSF
- 5 round



MAG100-0022

- Long Action
- 3.850" CIP SSSF
- 5 round



MAG100-0020

- Long Action
- 3.850" CIP DSSF
- 5 round
- Fits Kraken® only



MAG100-0086

- Long Action
- 3.850" CIP DSSF
- 10 round
- Fits Kraken® only

CDX MAGAZINES

FEATURES:

- Rigid magazine body made of metal with an anti-corrosion coating.
- Injection molded follower and bottom plate.
- Easy to clean.

The extra wide bottom plate assists in magazine manipulation.

PART NUMBER	CALIBER	ACTION	TYPE	EXTERNAL LENGTH	INTERNAL LENGTH	CAPACITY
MAG4309	375 EnABELR	CDX-40	DSSF	4.725"	4.625"	7
MAG4300	375/408 CT	CDX-40	DSSF	4.725"	4.625"	7
MAG0416	416 Barrett®	CDX-40	SSSF	5.790"	5.520"	5
MAG2949	50 BMG	CDX-50	SSSF	5.790"	5.520"	5
MAG2538D	50 BMG	TAC-50	DSSF	5.790"	5.645"	5



375 EnABELR DSSF

Part#: MAG4309
(for CDX-40 or Stiller® TAC-408)

Top view



The MAG4309 375 EnABELR magazine has been developed for the Extreme Sniper Strike Operations (ESSO) military program managed by Applied Ballistics. It is a 7 round DSSF magazine capable of reliably feeding ELR type cartridges as long as 4.625".

375/408 CT DSSF

Part#: MAG4300
(for CDX-40 or Stiller® TAC-408)

Top view



The MAG4300 375/408CT magazine has been designed to solve the problems found on the original rifle design using this cartridge. The CDX magazine is reliable, built to tighter tolerances and can accept longer cartridge overall length.

(NSN#: 1005-20-011-9452)

50 BMG SSSF

Part#: MAG2949
(for CDX-50 or PGWDTI® LRT-3)

Top view



The MAG2949 magazine adapts to the Cadex CDX-50 TREMOR® 50 BMG rifle and the PGWDTI® LRT-3 rifle of the same caliber. Its single stack single feed design makes it quite more reliable than the more common DSSF designs. The cartridges are centre fed into the action bore and the magazine spring pushes the round straight up rather than at an angle, avoiding the recurring jam and misfeeds of staggered feed designs.

50 BMG DSSF

Part#: MAG2538D
(for McMillan TAC-50®)

Top view



The MAG2538D is a direct replacement for the original McMillan TAC-50® magazine. We replicate the original design but add the Cadex "magic touch" to it, making them more reliable and economical than the genuine model.

(NSN#: 1005-20-009-5256)

CDX CLEANING KITS



Even the most accurate rifle in the world can produce poor performance if basic maintenance is not performed. It is critical to follow the manufacturer's cleaning procedure in order to maintain optimal performance. For the aforementioned reason, Cadex has put together a few cleaning kits which contains everything you'll need (except chemicals) to perform the maintenance of your rifle. These cleaning kits are complete, affordable and adapted to different applications where cleaning may be required. They are "caliber based" and fit all our rifle platforms*.

*Not designed for single shot 36" and 40" barrel rifles

EACH KIT INCLUDES:

- One-piece cleaning rod
- Multi-section cleaning rod
- Flexible rod with T-Handle
- Bore snake
- Brass brush
- Cotton mop
- Nylon brush
- Chamber brush (may not fit every caliber)
- Brass slotted tip
- Brass jag tip
- Bore guide kit
- Lube bottle
- Double-end utility brushes (3x)
- Round cleaning patches (100 units)
- Storage pouch with molle system



BORE GUIDE ONLY ALSO AVAILABLE

BORE GUIDE MASTER KIT - Part#: BG-MASTER

The bore guide master kit is designed to fit Rem 700 and all Cadex rifles.

INCLUDES:

- 2x main tubes (universal & 50 cal)
- 5x action bushings
- 2x rear plastic guides with solvent port
- 4x interchangeable chamber tips
- 2x brass handles for action bushings

CDX CLEANING KIT CONTENT LIST AND PART NUMBERS						
	6.5	308	338	375	408	50 BMG
Storage pouch with molle system	•	•	•	•	•	•
Universal bore guide kit (6.5mm/.30/.33/.375/.408)	•	•	•	•	•	
.50 cal bore guide kit						•
One-piece cleaning rod (Ø 6mm x 100cm)	•	•	•			
One-piece cleaning rod (Ø 8mm x 115cm)				•	•	•
Flexible rod with T-Handle (130cm)	•	•	•	•	•	•
Multi-section cleaning rod with T-Handle (Ø 6mm x 130cm)	•	•	•			
Multi-section cleaning rod with T-Handle (Ø 8mm x 130cm)				•	•	•
Round cleaning patches - Ø 1-1/4" - (100x)	•					
Round cleaning patches - Ø 1-3/4" - (100x)		•	•			
Round cleaning patches - Ø 2-1/2" - (100x)				•	•	•
Brass brush	•	•	•	•	•	•
Cotton mop	•	•	•	•	•	•
Nylon brush	•	•	•	•	•	•
Brass slotted tip	•	•	•	•	•	•
Brass jag tip	•	•	•	•	•	•
Chamber brush	•	•	•	•	•	•
Bore snake	•	•	•	•	•	•
Lube bottle	•	•	•	•	•	•
Double-end utility brushes (3x)	•	•	•	•	•	•
PART NUMBERS	CLEAN-6.5	CLEAN-308	CLEAN-338	CLEAN-375	CLEAN-408	CLEAN-50

CHASSIS HARDWARE

TORQUE LIMITERS FIELD KIT - Part#: 175-00080-K1



Field tooling kit with torque limiters and a variety of driving bits adapted to Cadex rifles and chassis. Comes in a compact molle webbing pouch for easy carry.

*Doesn't include a torque limiter for the Kraken®, SHDW and Tremor® action screws.

CONTAINS:

- Storage pouch & Cadex patch
- "T" Wrench
- 6 in-lb limiter
- 25 in-lb limiter
- 35 in-lb limiter
- 45 in-lb limiter
- 65 in-lb limiter
- 1/2 Socket
- Hex shank to square drive adaptor
- 5/64 (short)
- 3/32 (short)
- 1/8 (short)
- 1/8 (long)
- 5/32 (short)
- 5/32 (long)
- 3/16 (short)
- 3/16 Round Nose (extra long)
- T-8W (long)
- T-10 (short)
- T-15 (short)
- T-15W (long)
- T-20 (short)
- T-25 (short)
- T-30 (short)
- 2.5mm Hex Bit (short)
- 3mm Hex Bit (short)
- 4mm Hex Bit (short)
- 5mm Hex Bit (short)
- PH-1 (short)
- Flat #5 (short)

UNIVERSAL CHASSIS SCREW KIT - Part#: 03127-K013



The Universal Chassis Screw kit contains an assortment of replacement screws to revamp your chassis. If your chassis has seen better days and you'd like to refresh its hardware then this kit is what you are looking for. Contains enough screws to outfit any Cadex Strike chassis.

CONTAINS:

- 2x Bipod rail screws
- 1x Bipod/Sling stud
- 2x Fore-end tube assy screws
- 8x Modular rail screws
- 4x Side plate and boomerang screws (long)
- 6x Side plate and boomerang screws (short)
- 1x Grip assy washers and screws
- 4x #6-48 top rail screws
- 4x #8-40 top rail screws

10-32 TIME-SERT REPAIR KIT - Part#: 03127-K029



You went too fast and cross-threaded a screw? You didn't respect the recommended torque and broke a Time-Sert? This kit is for you.

CONTAINS:

- 1x Time-Sert extractor
- 1x Time-Sert driver
- 6x Short Time-Serts
- 6x Long Time-Serts

*Red Loctite® highly recommended (not included)

You are mechanically inclined and wish to add some Time-Serts where it wasn't designed for? You'll also need:

NOT INCLUDED:

- 1x Drill #21
- 1x Helicoil Tap 10-32

*If you need 1/4-28 kit, please contact Cadex customer service.

REM STYLE TRIGGERS

CURVED SHOE TRIGGERS



STRAIGHT SHOE TRIGGERS



The Cadex DX2 EVO trigger is a single/two stage trigger capable of being rapidly converted into a single stage trigger by its operator. Its trigger pull weight can be easily adjusted between 1.5 to 2.5 lb*. If you haven't figured out yet if you prefer a single stage or two stage trigger, you can't go wrong with the DX2 EVO as it accomplishes both functions.

*Achievable trigger pull weight can be influenced by multiple factors.

FEATURES:

- First stage permanently set between 6 to 8 ounces at the factory.
- Adjustable combined pull weight between 1.5 to 2.5 lb*.
- Fast access to the trigger pull adjustment screw located at the bottom of the trigger body.
- Adjustable trigger shoe positioning for maximum comfort.
- Military grade trigger design with multiple openings machined into the aluminum body to facilitate dirt cleaning.
- Improved crispness and safety mechanism.
- Hardox® 500 wear-free internals.

CURVED SHOE TRIGGERS

Part#: 6119-A002-EVO
(naked variant)

Part#: 6119-A002R7-EVO
(with safety)

Part#: 6119-A002S-EVO
(with safety and bolt release)

Part#: 6119-A002MC-EVO
(for McMillan Tac-50®)
(NSN#: 1005-20-012-0553)
*double stage only

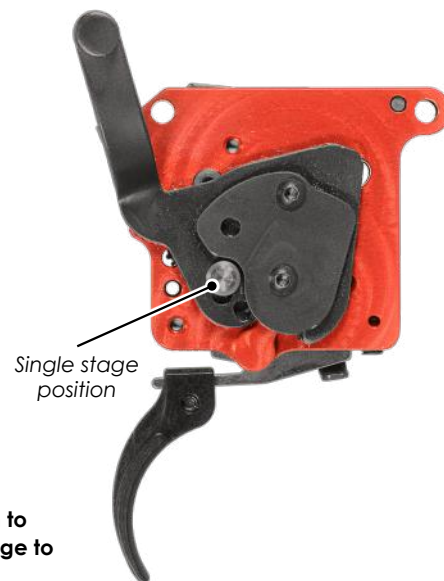
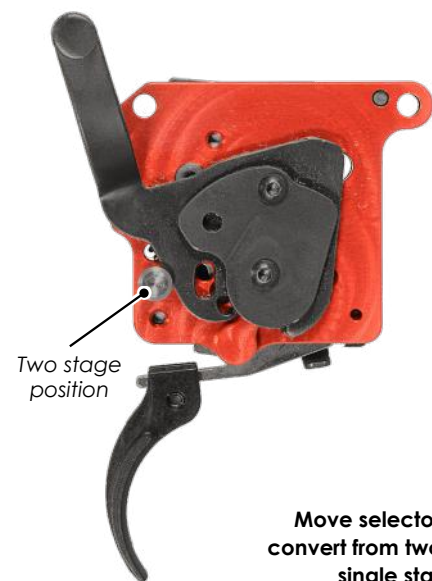
STRAIGHT SHOE TRIGGERS

Part#: 6119-A003-EVO
(naked variant)

Part#: 6119-A003R7-EVO
(with safety)

Part#: 6119-A003S-EVO
(with safety and bolt release)

CONVERSION FROM TWO STAGE TO SINGLE STAGE



Move selector pin to convert from two stage to single stage

REPLACEMENT PARTS



CADEX AMMUNITION

BY
ULTIMATE
AMMUNITION

At Cadex Defence, we understand that a precision rifle can only be as precise as the ammunition that is fired in it. For the same reason that race cars do not run on conventional fuel, performance rifles require performance ammunitions to deliver their best precision and accuracy. For a long time, we've been using off-the-shelf match grade ammunitions with decent to impressive results, but consistency was often lacking from lot-to-lot. Maximum accuracy used to be only reached by hand loaders since they were capable to fine tune their ammunition to their firearms. These days are over with [Ultimate Ammunition™](#).

Ultimate Ammunition™ emerged a few years ago from developing a close working relationship with NATO Special Operations Forces in Europe. Made by shooters for shooters with precision, repeatability and terminal effect in mind, they developed the most accurate and reliable ammunition thanks to their state-of-the-art in-house ballistic test range and 2-mile ELR outdoor test facility.

Cadex Defence decided to team up with Ultimate Ammunition® for the development of customized ammunition specific to our rifles and specs. They selected the best components available for military use. The end result is cartridges that are not only "weapon specific" but also "mission specific" capable of delivering performances exceeding our expectations.

Subsonic, Armor Piercing, APFI, APRE (Nano Explosive), low penetration. The possibilities are infinite.

- 308 Win
- 6.5 Creedmoor
- 300 Norma Mag
- 338 Lapua Mag
- 375 EnABELR
- 375/408CT
- 50 BMG



Loaded using Peterson Cartridge® Match-Grade Brass Rifle Casings



Contact Cadex Defence for more information on customized ammunition by [Ultimate Ammunition™](#)

GEN 2 UNITIZED SCOPE MOUNTS

The Cadex Gen2 unitized scope mounts provide a rock solid optic mounting solution for precision rifles. These are machined from a solid one-piece aluminum billet for maximum rigidity and perfect alignment between the front and rear rings. The Gen2 models use a 6-screw pattern and are modular so that you can interchange front and rear top rings. We offer these mounts in both standard and quick-detachable (QD) variants.

Target distances are getting farther, calibers are more powerful than ever and riflescopes are constantly getting heavier. For these reasons, a top quality scope mount is arguably the most important element of a precision rifle package. If the mount does not hold the scope perfectly aligned with your point of aim, moves even just a hair, you will never hit that long range target.

BASES:

- The standard base is the most worry-free and economical way to mount an optic on a Picatinny top rail.
- The quick-detachable base allows the scope mount to be removed and reinstalled rapidly with minor shift of point of aim. This is a great way to reuse one optic on multiple different rifles.

TOP RINGS:

- The standard top ring is a plain rounded design.
- The bubble level top ring is a must have item for any rifle intended to shoot long distances. The bubble indicator allows the shooter to level his rifle and eliminates possible canting errors.
- The bubble level/cosine indicator top ring is the ultimate combination. It provides the shooter with canting indication and cosine angle measurement in order to apply the right corrections.



STANDARD UNITIZED SCOPE MOUNT

QUICK-DETACH UNITIZED SCOPE MOUNT



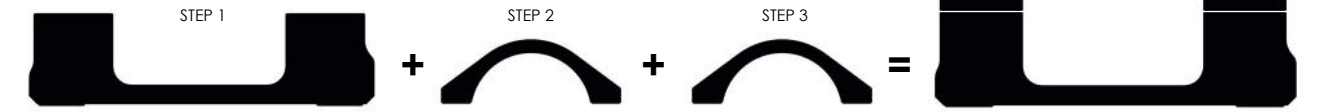
Shown with Picatinny front and bubble level rear



Shown with Picatinny front and bubble level rear

SCOPE MOUNTS

Step 1: Select your base + Step 2: Select your rear top ring + Step 3: Select your front top ring = Final configuration



Example: 1556-B34H + R134 + F134 = 1556-B34H-R134-F134

CUSTOMIZE YOUR SCOPE MOUNT BY FOLLOWING THESE 3 STEPS

STEP #1:
SELECT
BASE
MODEL

STANDARD BASES



NEW ▶

Part #	Height	Dia.	Type
1556-B30SL	1.000"	30mm	Super low
1556-B30L	1.250"	30mm	Low
1556-B30H	1.500"	30mm	High
1556-B34SL	1.000"	34mm	Super low
1556-B34L	1.250"	34mm	Low
1556-B34H	1.500"	34mm	High
1556-B35L	1.250"	35mm	Low
1556-B35H	1.500"	35mm	High
1556-B36H	1.500"	36mm	High

QUICK-DETACH BASES



Part #	Height	Dia.	Type
1556-QD-B30H	1.500"	30mm	High
1556-QD-B34H	1.500"	34mm	High
1556-QD-B35H	1.500"	35mm	High

STEP #2:
SELECT
REAR TOP RING
MODEL



STANDARD TOP RING

R130 30mm
R134 34mm
R135 35mm



BUBBLE LEVEL TOP RING

R230 30mm
R234 34mm
R235 35mm
NEW ▶ R236 36mm



BUBBLE LEVEL TOP RING WITH ANGLE COSINE INDICATOR

R330 30mm
R334 34mm
R335 35mm

Right handed only

STEP #3:
SELECT
FRONT TOP RING
MODEL



STANDARD TOP RING

F130 30mm
F134 34mm
F135 35mm














PICATINNY TOP RING

F230H 30mm (high)
F234H 34mm (high)
F235H 35mm (high)
NEW ▶ F236EH 36mm (extra high)



HARD CASES

<p>CDX-R7 SPTR/CRBN Part#: 175-00179-BLK</p> 	<p>CDX-SS PRO & CDX-R7 PRO Part#: 175-00057-TAN-PRO</p> 	<p>CDX-SS COVERT & CDX-R7 CPS Part#: 175-00238-BLK-COV</p> 	<p>CDX-30/300/33 & CDX-R7 LCP/FCP Part#: 175-00057-TAN-CDX</p> 
<p>CDX-R7 SHP Part#: 175-00057-TAN-R7</p> 	<p>CDX-MC KRAKEN® Part#: 175-00068-BLK-FMC FOLDED</p> 	<p>CDX-40 SHDW Part#: 175-00068-BLK-F40 FOLDED</p> 	<p>CDX-50 TREMOR® TACTICAL - 20.6" ONLY Part#: 175-00238-BLK-F5020 FOLDED</p> 
<p>CDX-50 TREMOR® - 29" ONLY Part#: 175-00068-BLK-F5029 FOLDED</p> 	<p>CDX-50 TREMOR® Part#: 175-00082-BLK-F50 FOLDED</p> 	<p>CDX-40 SHDW - 36" ONLY & CDX-50 TREMOR® - 40" ONLY Part#: 175-00239-BLK-ELR FOLDED</p> 	

**REPEATER
and SINGLE SHOT**



HARD CASES TABLE

	COMPATIBLE CDX RIFLES	BARREL LENGTHS	CASE MODEL	DESCRIPTION	PART NUMBER
HARD CASE (with cut-out foam)	CDX-R7 SPTR/CRBN	20" / 24" / 26"	CADEX CASE BLACK	Hard case 52" with foam layers for CDX-R7 SPTR/CRBN, Black color	175-00179-BLK
	CDX-SS PRO & CDX-R7 PRO	26" ONLY	NANUK 995 TAN	Hard case 52" with cut-out foam for CDX-SS PRO & CDX-R7 PRO 26" only, Tan color	175-00057-TAN-PRO
	CDX-SS COVERT & CDX-R7 CPS	16.5" / 20"	NANUK 990 BLACK	Hard case 44" with cut-out foam for CDX-SS COVERT & CDX-R7 CPS, Black color	175-00238-BLK-COV
	CDX-30/300/33 & CDX-R7 LCP/FCP	20" / 24" / 26" / 27"	NANUK 995 TAN	Hard case 52" with cut-out foam for CDX-30/300/33 LITE/TAC & CDX-R7 LCP/FCP, Tan color	175-00057-TAN-CDX
	CDX-R7 SHP	16.5" / 20" / 24" / 26" / 27"	NANUK 995 TAN	Hard case 52" with cut-out foam for CDX-R7 SHP, Tan color	175-00057-TAN-R7
	CDX-MC KRAKEN®	16.5" / 20" / 24" / 26" / 27"	STORM IM3300 BLACK	Hard case 50" with cut-out-foam for CDX-MC KRAKEN®, Black color	175-00068-BLK-FMC
	CDX-40 SHDW	29" / 32"	STORM IM3300 BLACK	Hard case 50" with cut-out foam for CDX-40 SHDW, Black color	175-00068-BLK-F40
	CDX-50 TREMOR® TACTICAL	20.6" ONLY	NANUK 990 BLACK	Hard case 44" with cut-out foam for CDX-50 TREMOR® Tactical 20.6" only, Black color	175-00238-BLK-F5020
	CDX-50 TREMOR® - 29" only	29" ONLY	STORM IM3300 BLACK	Hard case 50" with cut-out foam for CDX-50 TREMOR® 29" only, Black color	175-00068-BLK-F5029
	CDX-50 TREMOR®	29" / 32"	SKB 5616 BLACK	Hard case 56" with cut-out foam for CDX-50 TREMOR®, Black color	175-00082-BLK-F50
HARD CASE (without foam)	CDX-40 SHDW & CDX-50 TREMOR® (single shot and repeater)	36" ONLY (CDX-40) 40" ONLY (CDX-50)	SKB 6018-8 BLACK	Hard case 60" with cut-out foam for CDX-40 SHDW 36" & CDX-50 TREMOR® 40" (single shot and repeater), Black color	175-00239-BLK-ELR
	CDX-SS COVERT, CDX-R7 CPS & CDX-50 TACTICAL	11" / 16.5" / 20"	NANUK 990 BLACK	Hard case 44" without foam for CDX-SS COVERT, CDX-R7 CPS & CDX-50 Tactical 20.6", Black color	175-00238-BLK
	CDX-30/300/33, CDX-R7 LCP/FCP/SHP & CDX PRO	16.5" / 20" / 24" / 26" / 27"	NANUK 995 TAN	Hard case 52" without foam for CDX-30/300/33 LITE/TAC, CDX-R7 LCP/FCP/SHP/PRO & CDX-SS PRO, Tan color	175-00057-TAN (NSN#: 8145-20-011-8149)
	CDX-MC KRAKEN®, CDX-40 SHDW & CDX-50 TREMOR®	Up to 32" if folded in its drag bag	STORM IM3300 BLACK	Hard case 50" without foam for CDX-MC KRAKEN®, CDX-40 SHDW & CDX-50 TREMOR®, up to 32", Black color	175-00068-BLK
	CDX-50 TREMOR®	Up to 32" if folded in its drag bag	SKB 5616 BLACK	Military hard case 56" without foam for CDX-50 TREMOR® up to 32", Black color	175-00082-BLK
	CDX-40 SHDW & CDX-50 TREMOR® (single shot and repeater)	Up to 40" if folded in its drag bag	SKB 6018-8 BLACK	Hard case 60" without foam for CDX-40 SHDW & CDX-50 TREMOR® (single shot and repeater) up to 40", Black color	175-00239-BLK
	CDX-30/300/33 & CDX-R7 LCP/FCP	20" / 24" / 26" / 27"	For NANUK 995	Cut-out foam for CDX-30/300/33 LITE/TAC & CDX-R7 LCP/FCP for NANUK 995 case	175-00062-K1
	CDX-SS PRO & CDX-R7 PRO	26" ONLY	For NANUK 995	Cut-out foam for CDX-SS PRO & CDX-R7 PRO 26" only for NANUK 995 case	175-00240-K1
	CDX-SS COVERT & CDX-R7 CPS	16.5" / 20"	For NANUK 990	Cut-out foam for CDX-SS COVERT & CDX-R7 CPS for NANUK 990 case	175-00243-K1
	CDX-R7 SHP	16.5" / 20" / 24" / 26" / 27"	For NANUK 995	Cut-out foam for CDX-R7 SHP for NANUK 995 case	175-00095-K1
REPLACEMENT FOAM	CDX-MC KRAKEN®	16.5" / 20" / 24" / 26" / 27"	For STORM IM3300	Cut-out foam for CDX-MC KRAKEN® for STORM IM3300 case	175-00081-K1
	CDX-40 SHDW	29" / 32"	For STORM IM3300	Cut-out foam for CDX-40 SHDW for STORM IM3300 case	175-00089-K1
	CDX-50 TREMOR® TACTICAL	20.6" ONLY	For NANUK 990	Cut-out foam for CDX-50 TREMOR® Tactical 20.6" only for NANUK 990 case	175-00231-K1
	CDX-50 TREMOR®	29" ONLY	For STORM IM3300	Cut-out foam for CDX-50 TREMOR® 29" only for STORM IM3300 case	175-00091-K1
	CDX-50 TREMOR®	29" / 32"	For SKB 5616	Cut-out foam for CDX-50 TREMOR® for SKB 5616 case	175-00084-K1
	CDX-40 SHDW & CDX-50 TREMOR® (single shot and repeater)	36" ONLY (CDX-40) 40" ONLY (CDX-50)	For SKB 6018-8	Cut-out foam for CDX-40 SHDW 36" & CDX-50 TREMOR® 40" (single shot and repeater) for SKB 6018-8 case	175-00242-K1

SNIPER DRAG BAG

SPECIFICATIONS
Drag bag 48" Part#: 175-00051-TAN
Interior dimensions:
 47" x 12" x 3" | 114.3 x 30.48 x 7.62 cm
Exterior dimensions:
 48" x 13.5" x 3.5" | 116.84 x 34.29 x 8.89 cm
Weight (±): 6.5 lb | 2948 grams

SPECIFICATIONS
Drag bag 53" Part#: 175-00050-TAN
Interior dimensions:
 52" x 12" x 3" | 129.54 x 30.48 x 7.62 cm
Exterior dimensions:
 53" x 13.5" x 3.5" | 132.08 x 34.29 x 8.89 cm
Weight (±): 6.8 lb | 3084 grams

SPECIFICATIONS
Drag bag 62" Part#: 175-00052-TAN
Interior dimensions:
 60" x 12" x 3" | 152.4 x 30.48 x 7.62 cm
Exterior dimensions:
 62" x 13.5" x 3.5" | 157.48 x 34.29 x 8.89 cm
Weight (±): 7.4 lb | 3357 grams

(NSN#: 1005-20-010-6981)

(NSN#: 1005-20-011-9610)



Designed to carry your precision rifle. It can be used on its own or put in a hard case for maximum protection.

FEATURES:

- Four accessory pockets (for spare barrels, tooling, etc.)
- Heavy duty main zipper.
- Double stitched reinforced seams.
- Reinforced carrying handle.
- Integrated backpack straps.
- Integrated tool pouch inside.
- Multiple molle loops for attaching camo or additional equipment.
- Two attachment straps to secure the rifle.
- Protective hood and drag tether.
- 5" Velcro surface.
- Embroidered Cadex and Extreme Range Supremacy® logos.

PADDED RIFLE SLING



SPECIFICATIONS
Part#: 3850-K002-TAN or 3850-K002-BLK
Dimensions:
 39" x 1.57" x 0.2" | 99.06 x 3.9 x 0.5 cm
Dimensions extended:
 63" x 1.57" x 0.2" | 160 x 3.9 x 0.5 cm
Weight (±): 0.4 lb | 181 grams

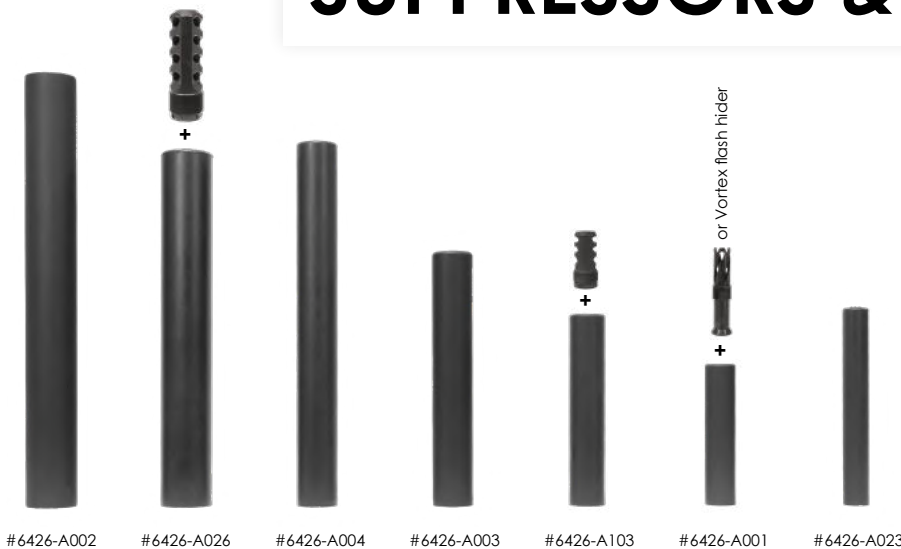


Military grade padded rifle sling with QD push button swivels.

FEATURES:

- High grade reinforced materials.
- Fortified stitching.
- Rugged push button sling mechanism.
- Adjustable length, from 39" to 63".
- Padded for increased comfort during extended transportation.
- Perfect for Cadex rifles and chassis.
- Available in tan or black color.

SUPPRESSORS & MANTA® COVERS



Suppressor type	Part #	Description	Calibers	Material	Attachment type	Muzzle threads	MANTA® cover kit
CARBINE	6426-A001	Carbine Suppressor 5.56mm (NSN#: 1005-20-009-1396)	5.56/223 cal.	Stainless Steel	Screw-on	Vortex or Cadex flash hider	6426-K001
CDX-R7, CDX-30/300/33/MC & CDX-SS PRECISION RIFLES	6426-A103	Titanium Compact Suppressor (requires Cadex MX2-ST muzzle brake)	Up to 338 cal.	Titanium	Screw-on	MX2-ST muzzle brake	6426-K103
CDX-SS SEVEN S.T.A.R.S. COVERT PRECISION RIFLE	6426-A023	Covert Slim Titanium Suppressor (compatible only with 11" Covert)	Up to 308 cal.	Titanium	Slip-on	5/8-24	N/A
CDX-30/300/33 & CDX-MC PRECISION RIFLES	6426-A003	Suppressor 308/338 (NSN#: 1005-20-011-8164)	Up to 338 cal.	Stainless Steel	Slip-on	3/4-20	6426-K003
CDX-40 PRECISION RIFLE	6426-A004	Suppressor 375/408 (NSN#: 1005-20-011-9603)	375/408 cal.	Stainless Steel	Slip-on	7/8-24	N/A
CDX-50 TACTICAL PRECISION RIFLE	6426-A026	Compact 50BMG Suppressor (requires Cadex MX2-ST muzzle brake)	50 cal.	Stainless Steel	Screw-on	MX2-ST muzzle brake	6426-K105
CDX-50 PRECISION RIFLE	6426-A002	Suppressor 50BMG	50 cal.	Stainless Steel	Slip-on	1-14 UNF	6426-K002

NSN#: 1005-20-011-3610 (for Carbine suppressor 5.56mm with Manta® cover)



Extremely effective mirage reduction device for suppressors. Available in tan or black.



Contact Cadex for more information and specifications on our suppressors and Manta® covers.

SPECIFICATIONS

Carbine 5.56mm Flash Hider with suppressor adaptor

Part#: 6426-059



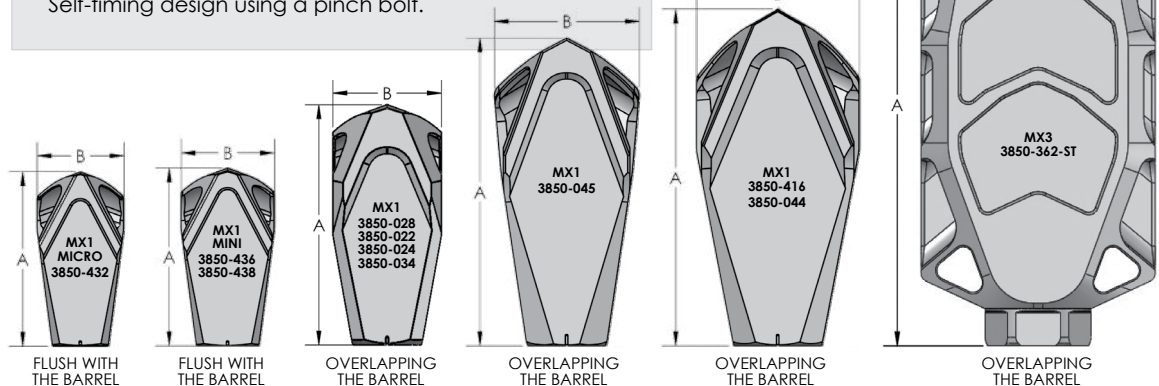
(NSN#: 1005-20-011-3533)



MX1 & MX3 MUZZLE BRAKES



The Cadex MX1 muzzle brake is designed to deflect the muzzle blast away from the shooter and his spotter. Gases exit sideways and upwards to reduce felt recoil, dust cloud and improve rifle control. It will soften your 338 Lapua recoil as if it was a 243 Win. Self-timing design using a pinch bolt.



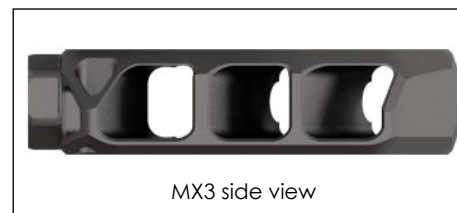
The new Cadex MX3 muzzle brake is a must for extremely powerful calibers such as the 50 BMG. Its design allows for maximum airflow through its massive ports in order to tame the recoil of the most powerful calibers.



MX3 back view



MX3 front view



MX3 side view



MX1 front view



MX1 side view



NSN#: 1005-20-011-8167 (for 3850-022-TAN)

MODEL	PART NUMBER	MAX CALIBER	BARREL THREAD	BORE (IN)	WEIGHT (±)	LENGTH (A)	WIDTH (B)	MAX BARREL DIA
MX1 MICRO	3850-432	.223/5.56 Cal	1/2-28	0.297"	0.140 kg	2.418"	1.200"	0.755"
	3850-436	6.5 Cal	5/8-24	0.313"	0.130 kg	2.466"	1.290"	0.865"
MX1 MINI	3850-438	.30 Cal	5/8-24	0.359"	0.129 kg	2.466"	1.290"	0.865"
	3850-028	.33 Cal	5/8-24	0.406"	0.281 kg	3.338"	1.500"	0.865"
MX1	3850-022	.33 Cal	3/4-20	0.406"	0.281 kg	3.338"	1.500"	0.865"
	3850-024	.33 Cal	3/4-24	0.406"	0.281 kg	3.338"	1.500"	0.865"
	3850-034	.33 Cal	M18X1	0.406"	0.281 kg	3.338"	1.500"	0.865"
	3850-045	.408 Cal	7/8-24	0.465"	0.420 kg	4.272"	2.000"	1.000"
	3850-416	.416 Cal	1-14	0.465"	0.600 kg	4.671"	2.250"	1.135"
	3850-044	.50 Cal	1-14	0.562"	0.593 kg	4.671"	2.250"	1.135"
MX3	3850-362-ST	.50 Cal	1-14	0.562"	1.576 kg	6.614"	3.250"	1.155"

MX2-ST MUZZLE BRAKES

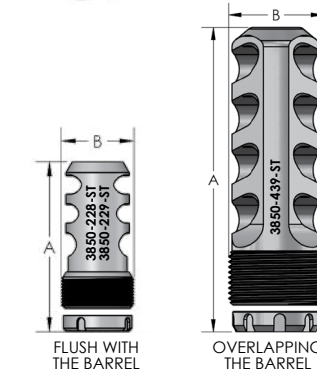
The Cadex MX2-ST Tactical muzzle brake design comes from the need to offer a muzzle brake small enough to fit inside a compact suppressor design. The end of the muzzle brake is tapered to perfectly align the compact titanium suppressor. The MX2-ST Tactical muzzle brake is lightweight while maintaining enough performance to control the muzzle jump on the rifle.



Optional compact titanium suppressor (Part#: 6426-A103)



MODEL	PART NUMBER	MAX CALIBER	BARREL THREAD	SUPPRESSOR THREAD	BORE (IN)	WEIGHT (±)	LENGTH (A)	WIDTH (B)	MAX BARREL DIA	OPTIONAL SUPPRESSOR
MX2-ST (SELF-TIMING)	3850-228-ST	.33 Cal	5/8-24	1-24	0.380"	0.095 kg	2.250"	0.995"	0.865"	#6426-A103
	3850-229-ST	.33 Cal	3/4-24	1-24	0.380"	0.078 kg	2.250"	0.995"	0.865"	#6426-A103
	3850-439-ST	.50 Cal	1-14	1 1/2-12	0.562"	0.410 kg	4.750"	1.500"	1.135"	#6426-A026



The Cadex MX2-ST 50BMG Tactical muzzle brake is designed to adapt the compact 50BMG suppressor. The MX2-ST secures on the barrel muzzle threads and its self-timing lock nut stops the rotation in the desired position using the provided wrench. The compact 50BMG suppressor screws on the 4 port design muzzle brake external threads, until it sits firm on the muzzle brake tapered end. This allows for the perfect alignment of the suppressor with the bore and seals the burnt gases.



*Recommended use: CDX-50 Tremor® Tactical 20.6" with suppressor band

*Maximum recoil reduction effectiveness is achieved only when combined with the compact 50BMG suppressor



Optional compact 50BMG suppressor (Part#: 6426-A026)

FALCON BIPODS

with canting

The Falcon Bipods have been designed to provide the ultimate stability. Two models are offered, Picatinny rail or AES (ARCA) mounting variants. It features multiple optional modular quick-change accessories such as spike, claw or ski feet. An optional Extension Leg kit is also available for the ELR game where shooters engage targets beyond 2 miles and require lots of bipod elevation without sacrificing the rifle's stability.

FEATURES:

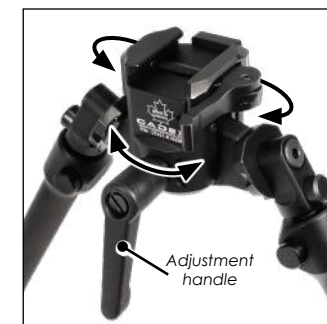
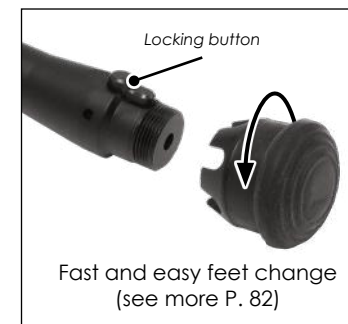
- Fast deployment legs without buttons to push.
- Ultra-tight machining tolerances for maximum stiffness and reduced free play.
- Reversible legs for choice of index or thumb push button operation.
- Easy to operate canting lever. Tilt angle +/- 15.5°.
- Folds/deploys forward, rearward 45° or standard 90°.
- Standard rubber feet, optional claw, spike or ski feet. (P. 82)
- Incredibly stable (width from 11.4" to 13.3").
- Designed to withstand recoil up to 50 BMG.
- Adjustable height from approx. 6.25" to 9" depending on the model.



FALCON LITE BIPODS

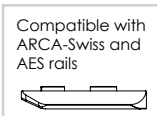
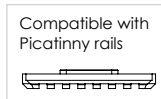
with panning and canting

The Falcon Lite bipods utilize a small head design, allowing for a more compact bipod better suited for competitive PRS shooting. It offers the same great canting capability as the bigger Falcon models, in a lighter weight package (only 400-450 grams), without any compromise on its rigidity. It also adds the panning feature, a quick-detach (QD) Picatinny mount, a tensioning lever and 9 position telescopic aluminum tube legs. These bipods have a very wide footprint spread and some of the tightest machining tolerances on the market, making them the most stable lightweight bipods you'll find. The modular locking feet attachments are a must to adapt to any shooting surface.



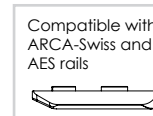
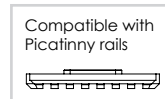
FALCON QD BIPOD - Part#: 7431-K015

FALCON AES BIPOD - Part#: 7431-K015AES



FALCON LITE SP BIPOD - Part#: 7431-K102SP

FALCON LITE AES BIPOD - Part#: 7431-K102AES



SPECIFICATIONS

Falcon QD Bipod

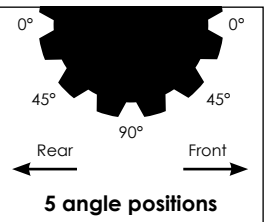
Shortened: 11.41" x 5.19" x 6.73" | 28.97 x 13.18 x 17.09 cm

Extended: 13.28" x 5.19" x 8.35" | 33.73 x 13.18 x 21.21 cm

Folded: 8.8" x 5.1" x 2.89" | 22.35 x 12.96 x 7.33 cm

Weight (±): 1.39 lb | 630 grams

Material: 6061-T6 aluminum



SPECIFICATIONS

Falcon AES Bipod

Shortened: 11.4" x 3.98" x 7.51" | 28.96 x 10.12 x 19.07 cm

Extended: 13.28" x 3.98" x 9.13" | 33.72 x 10.12 x 23.19 cm

Folded: 9.96" x 5.1" x 3.59" | 25.3 x 12.95 x 9.13 cm

Weight (±): 1.65 lb | 748 grams

Material: 6061-T6 aluminum

SPECIFICATIONS

Falcon Lite SP Bipod

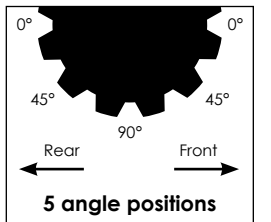
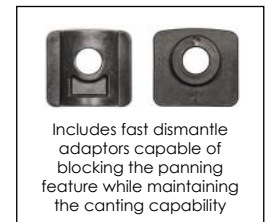
Shortened: 9.81" x 3.31" x 6.81" | 24.91 x 8.41 x 17.29 cm

Extended: 12.84" x 3.31" x 9.43" | 32.62 x 8.41 x 23.96 cm

Folded: 8.44" x 3.79" x 2.87" | 21.43 x 9.63 x 7.28 cm

Weight (±): 0.88 lb | 399 grams

Material: 6061-T6 aluminum



SPECIFICATIONS

Falcon Lite AES Bipod

Shortened: 9.81" x 3.31" x 6.9" | 24.91 x 8.41 x 17.53 cm






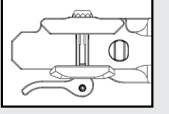
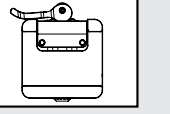
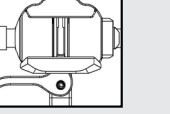
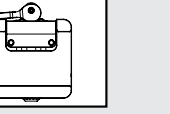
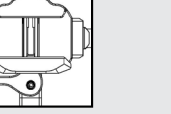
Extended: 12.84" x 3.31" x 9.52" | 32.62 x 8.41 x 24.28 cm

Folded: 8.43" x 3.79" x 3" | 21.4 x 9.63 x 7.63 cm

Weight (±): 0.98 lb | 445 grams

Material: 6061-T6 aluminum

COMPARISON TABLE

	FALCON BIPODS		FALCON LITE BIPODS		
					
MOUNTING OPTIONS	QD Picatinny mount 	QD Arca Elite System mount 	QD Picatinny mount 	QD Arca Elite System mount 	QD Picatinny mount 
HEIGHT RANGE	6.73" - 8.35"	7.51" - 9.13"	6.81" - 9.43"	6.9" - 9.52"	6.55" - 9.18"
WEIGHT (±)	1.39 lb (630 grams)	1.65 lb (748 grams)	0.88 lb (399 grams)	0.98 lb (445 grams)	0.88 lb (399 grams)
OPTIONAL FEET	Claw - Spike - Ski	Claw - Spike - Ski	Claw - Spike - Ski	Claw - Spike - Ski	Claw - Spike - Ski
90° FOOTPRINT SPREAD	11.41" - 13.28" (28.97 - 33.73 cm)	11.4" - 13.28" (28.96 - 33.72 cm)	9.81" - 12.84" (24.91 - 32.62 cm)	9.81" - 12.84" (24.91 - 32.62 cm)	9.8" - 12.84" (24.89 - 32.61 cm)
LEG POSITIONS (ANGLE)	0-45-90-135-180	0-45-90-135-180	0-45-90-135-180	0-45-90-135-180	0-45-90-135-180
TOTAL LEG POSITIONS (ANGLE)	5	5	5	5	5
TOTAL LEG POSITIONS (HEIGHT)	6	6	9	9	9
CANT ANGLE	+/- 15.5° (31° total)	+/- 15.5° (31° total)	+/- 15° (30° total)	+/- 15° (30° total)	+/- 15° (30° total)
PAN ANGLE	N/A	N/A	+/- 15° (30° total) (lockable)	+/- 15° (30° total) (lockable)	+/- 15° (30° total) (lockable)
MAIN MATERIAL	6061-T6 aluminum	6061-T6 aluminum	6061-T6 aluminum	6061-T6 aluminum	6061-T6 aluminum
PART NUMBER	7431-K015	7431-K015AES	7431-K102SP	7431-K102AES	7431-K102 (NSN#: 1005-20-010-7520)

BIPOD ACCESSORIES

All Cadex Falcon and Falcon Lite Series bipods are modular and share the same feet attachments. Although each of them includes rubber feet as a standard, multiple other optional feet attachments can be added. While rubber feet remain the best overall configuration, some specific sports may benefit from the use of more dedicated feet attachments. Here are our recommendations based on their purpose:

PRS SHOOTING

- Rubber feet
- Spike feet

ELR SHOOTING

- Rubber feet
- Ski feet
- Extension leg kit

F-CLASS & BENCH SHOOTING

- Rubber feet
- Ski feet

PRONE FIELD SHOOTING

- Rubber feet
- Spike feet
- Claw feet
- Ski feet

EXTENSION LEG KIT

Part#: 7431-K108-K2



SKI FEET

Part#: 7431-K331-K2



RUBBER FEET

Part#: 7431-K105-K2



SPIKE FEET

Part#: 7431-K106-K2



CLAW FEET

Part#: 7431-K104-K2



ELR BIPOD EXTENDER (with built-in AES)

The ELR Bipod Extender with built-in Arca Elite Rail System (AES) has been developed with ELR shooters in mind. It allows the shooter to rapidly modify the position of his bipod by simply sliding the AES clamp all along the bottom of the ELR Bipod Extender. This is especially useful when you are engaging multiple targets requiring completely different elevation angles. It bolts to the bottom of the chassis fore-end tube using either 10-32 or 1/4-28 screws depending on your chassis model. The ELR Bipod Extender shifts the positioning of the bipod mounting point up to 10" further than end of the fore-end tube which results in a huge stability improvement. It is slightly slanted 3/8" higher at the rear so that a short bipod displacement results in a rapid muzzle rise. It is also compatible with bipod Picatinny rails if you own a bipod with Picatinny head attachment or you may choose to buy the optional AES Clamp for the ultimate experience. The AES features a locking system to ensure that the bipod will not slide under heavy recoil.

FEATURES:

- Very fast adjustability of the bipod positioning.
- Shifts the bipod mounting point up to 10" further forward.
- 72 MOA (3/8") slant angle for faster muzzle rise.
- Compatible with standard Arca, AES Clamp or Picatinny rail.



Built-in Arca Elite System (AES)

SPECIFICATIONS

10-32 model - Part#: 03127-A1130-K1

Dimensions: 17.7" x 2.2" x 1.08" | 44.96 x 5.08 x 2.74 cm
Weight (±): 1.38 lb | 627 grams
Material: 6061-T6 aluminum
 Fits the CDX-MC Kraken, CDX-30/300/33 rifles and chassis using 10-32 time-serts.

SPECIFICATIONS

1/4-28 model - Part#: 03127-A1129-K1

Dimensions: 17.7" x 2.2" x 1.29" | 44.96 x 5.59 x 3.28 cm
Weight (±): 1.49 lb | 678 grams
Material: 6061-T6 aluminum
 Fits the CDX-40/50 rifles using 1/4-28 time-serts.



*Shown with optional Falcon bipod

CDX CARBON TRIPOD

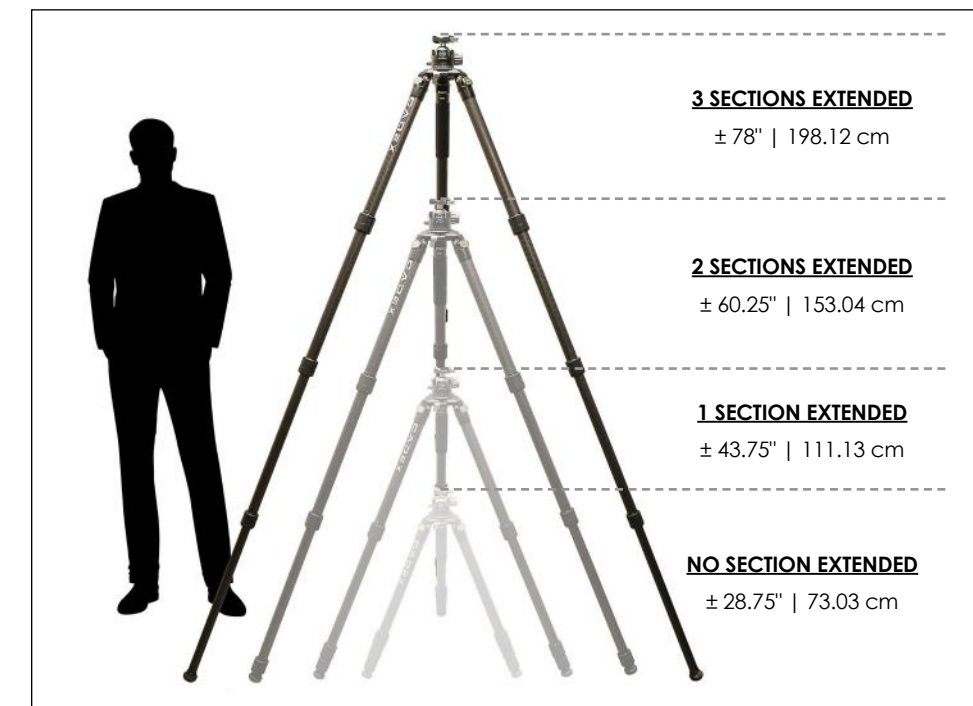
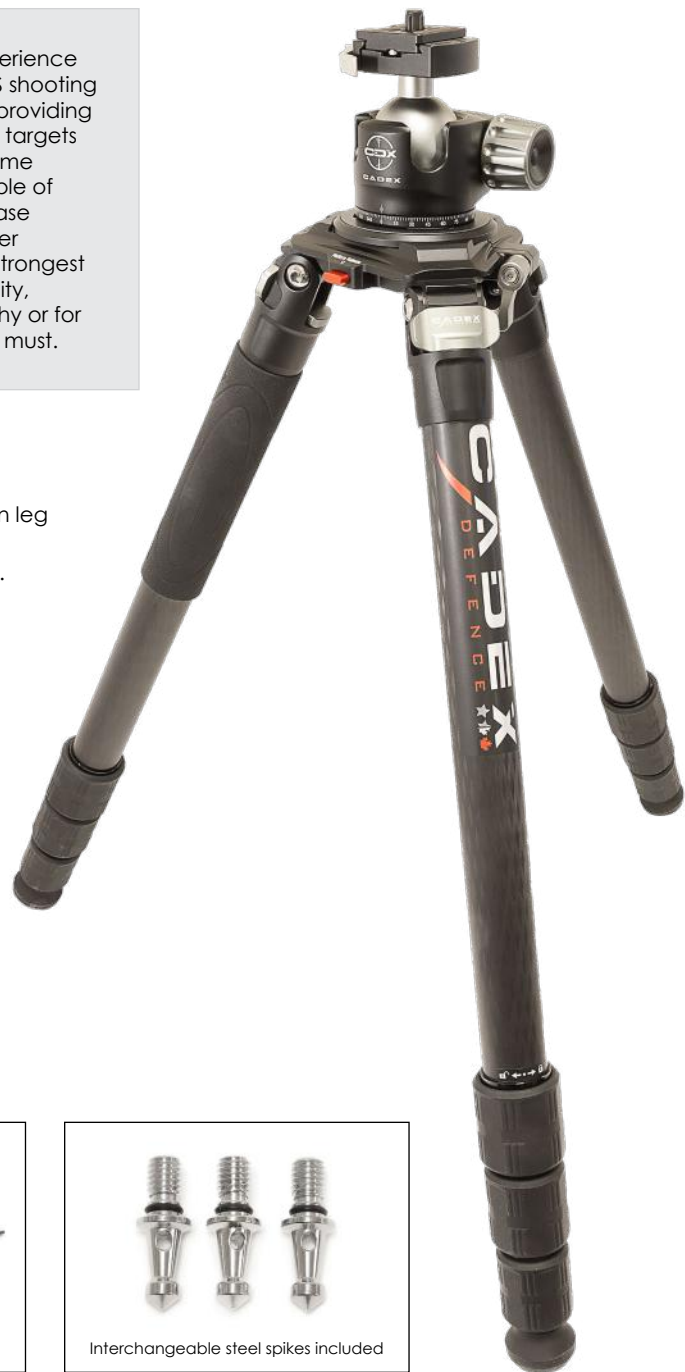
If you have never experienced shooting from a tripod, you have yet to experience the best kept secret in the shooting sports industry. Tripods are not just a PRS shooting trend, they completely revolutionized hunting and long range shooting by providing hunters and shooters with unprecedented versatility. Being able to engage targets without ever being worried about finding a suitable shooting stance is a game changer. The tremendous clamping power of the 55mm ball head is capable of securing rifles up to 55 pounds. Its 360° adjustable ball head with quick-release lever allows for rapid installation and removal of the rifle. The 40mm diameter carbon fiber legs can support a weight of up to 110 pounds, making it the strongest and most rigid portable tripod. The CDX tripod offers the ultimate adjustability, versatility and stability a tripod could offer. Whether for hunting, photography or for reconnaissance operations, the CDX carbon fiber tripod with ball head is a must.

TRIPOD FEATURES:

- Aircraft grade aluminum with hard anodized finish.
- 40mm diameter, 10-layer carbon fiber, 4 segment legs with rapid ¼ turn leg lock system that rise to a maximum height of 78".
- 3 position articulated legs (basic 25°, wide 55° and prone 85° positions).
- 100mm quick-release plate with universal 3/8-16 mounting screw.
- 50 kg / 110 lb max weight.
- Interchangeable rubber feet and steel spikes included.
- Underbelly counterweight hook.
- Cadex rubberized handle.
- Tan color padded transport bag with Cadex embroidered logos.

BALL HEAD FEATURES:

- Aircraft grade aluminum with hard anodized finish.
- Silky smooth 55mm diameter heavy duty ball head.
- 25 kg / 55 lb max weight.
- 3 tension lock knobs (rotation, panning/canting).
- Arca-Swiss clamp with quick-release lever and 1/4-20 screw Q-R plate.
- Also compatible with CDX Arca Elite System (AES) - P. 86.
- Tooling included.



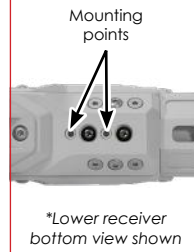
SPECIFICATIONS	Part#: CDX-TRIPOD
	Minimum height: 8.5" 21.59 cm
	Maximum height: 78" 198.12 cm
	Tripod weight (±): 6.83 lb 3098 grams
	Ball head weight (±): 2.16 lb 980 grams
Total weight (±): 8.99 lb 4078 grams	



TRIPOD ADAPTORS



Compatible **ONLY** on chassis models with two mounting points



PRS shooters and snipers share the same challenge in the field. Finding a stable shooting position is often impossible and this is when a ruggedized tripod is a must.

The Cadex Arca & RC2 Adaptors bolt on the lower receiver of most of our rifles and chassis to perfectly balance them on the tripod. When prone isn't an option, this is the way to go.

**It is critical to use a tripod and tripod head capable of supporting the weight of the rifle*



SPECIFICATIONS
Arca Tripod Adaptor
 Part#: 03127-960-K1
Dimensions:
 2.1" x 1.5" x 0.37" | 5.33 x 3.81 x 0.94 cm
Weight (±): 0.07 lb | 32 grams
Material: 6061-T6 aluminum

SPECIFICATIONS
RC2 Tripod Adaptor
 Part#: 03127-962-K1
Dimensions:
 2.1" x 1.68" x 0.38" | 5.33 x 4.27 x 0.97 cm
Weight (±): 0.12 lb | 54 grams
Material: 6061-T6 aluminum



ARCA ELITE SYSTEM (AES)

With over a year of input and development, Cadex is releasing the ARCA Elite System (AES). The AES system is designed for a quick and smooth manipulation that locks up solidly. Using two stainless pins, the AES clamp locks into the precision machined serrations down the center of the ARCA rail creating a system that will not move, even under the most extreme conditions. This is a huge improvement over the original ARCA design well known to slip under recoil.

AES RAIL FEATURES:

- Rail section that attaches to the chassis fore-end tube.
- Precision machined from solid 6061-T6 aluminum to the tightest tolerances in the industry.
- Built to the RRS standard ARCA rail dimensions to ensure all clamping systems work perfectly.
- Locking serrations are flush to the bottom so they will not interfere with clamping on a tripod.
- Deep locking serrations for positive lock up and guaranteed not to slip under recoil and loading.

AES CLAMP FEATURES:

- Adjustable tension on the AES clamp for a perfect fit.
- Machined from solid 6061-T6 aluminum with stainless steel locking pins.
- The AES clamp can be used on competitors' ARCA rails by removing the stainless steel locking pins.
- Cadex's quick throw lever system for lightning fast manipulation.
- Attachment of bipods through Picatinny/1913 rail or bipod/sling stud interface.
- All parts available separately or sold as a kit.

FULL KIT



#AES-PRK419 (AES Rail M-LOK)
CDX-R7 LCP/FCP rifles and Lite/Field Competition chassis

#AES-PRK431 (AES Rail 10-32)
CDX-R7 CPS, CDX-30/300/33 rifles and Dual/Lite Strike, Field Tactical chassis

#AES-PRK430 (AES Rail M-LOK)
CDX-R7 SHP, CDX-SS Covert rifles and Strike Nuke Evo chassis

Picatinny rail variant

Optional AES Bipod stud variant using #03127-A487-K1

#AES-PRK433 (AES Rail 1/4-28)
Dual Strike chassis McMillan TAC-50® (Won't fit Dual Strike prior 2014)

Optional AES Bipod stud variant using #03127-A487-K1

#AES-PRK435 (AES Rail 10-32)
CDX-MC Kraken® rifles

Optional AES Bipod stud variant using #03127-A487-K1

#AES-PRK432 (AES Rail 1/4-28)
CDX-40 SHDW and CDX-50 Tremor® rifles

Optional AES Bipod stud variant using #03127-A487-K1

SEPARATE ITEMS



AES Rail (M-LOK) Part#: #03127-A419-K1
Rifles: CDX-R7 LCP/FCP Series*
Chassis: Lite/Field Competition* (*M-LOK models only)



AES Clamp (Quick-Detach)
 #03127-A417-K1



AES Rail (M-LOK) Part#: #03127-A430-K1
Rifles: CDX-R7 SHP Series, CDX-SS Covert
Chassis: Strike Nuke Evo



AES Bipod Stud Adaptor
 #03127-A487-K1



AES Rail (10-32) Part#: #03127-A431-K1
Rifles: CDX-R7 CPS, CDX-30/300/33
Chassis: Dual/Lite Strike, Field Tactical (Also fits non M-LOK LCP/FCP models)



AES Bipod Rail Adaptor
 #03127-A488-K1



AES Rail (1/4-28) Part#: #03127-A432-K1
Rifles: CDX-40 SHDW, CDX-50 Tremor®
Chassis: Dual Strike CDX-40/50 actions



AES Rail (10-32) Rifle: CDX-MC Kraken®
 #03127-A435-K1

AES Rail (1/4-28) Chassis: Dual Strike McMillan TAC-50®
 #03127-A433-K1 Won't fit Dual Strike prior 2014



ACCESSORIES

BEAN BAG RIDER

The Bean Bag Rider was designed to sit securely on your bean bag. The Bean Bag Rider allows the shooter to make minute corrections while ensuring the bean bag won't slip out of position. Adapts to most Cadex rifles or chassis rear stocks.

SPECIFICATIONS

Part#: 03127-269-K1
Dimensions: 3.09" x 1.01" x 0.94" | 7.85 x 2.57 x 2.39 cm
Weight (±): 0.034 lb | 15 grams
Material: Fiber reinforced composite (NSN#: 1005-20-010-6214)



ELR BAG RIDER

The ELR bag rider was specifically designed to work with "F-Class" style rear bags. Adapts to most Cadex rifles or chassis rear stocks.

SPECIFICATIONS

Part#: 03127-950-K1
Dimensions: 4.99" x 1.2" x 0.87" | 12.67 x 3.05 x 2.21 cm
Weight (±): 0.29 lb | 132 grams
Material: 6061-T6 aluminum

- Precision machined from 6061-T6 aluminum.
- Recessed center to reduce friction and enhance tracking.
- Slotted attachment point to allow for precise placement.
- Anodized finished.



MONOPOD KIT

SPECIFICATIONS

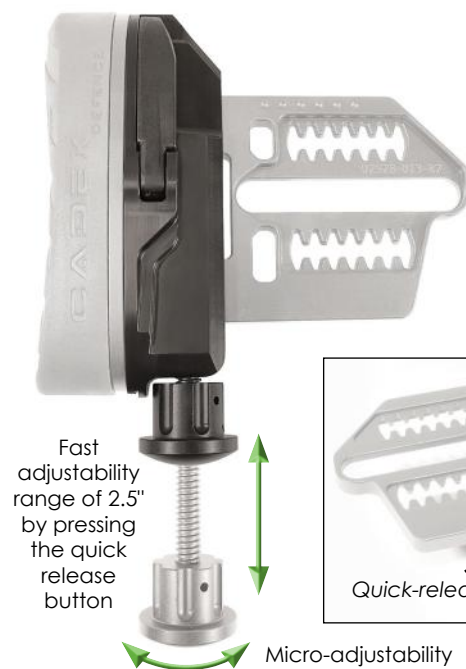
Part#: MONO-KIT
Dimensions: 1.98" x 1.57" x 6.67" | 5.03 x 3.99 x 16.94 cm
Weight (±): 0.73 lb | 331 grams
Material: Alloy & composite

Why encumber yourself with a heavy bean bag when you can deploy an adjustable height rear rest by the push of a button? The Monopod Kit is the solution for tactical applications where a rear rest is not available. The Monopod Kit installs easily on any Cadex rifle or chassis systems equipped with the Cadex original or skeleton stock.

*Shaded parts to be re-used from customer's rifle or chassis

FEATURES:

- Fast to deploy by the simple push of the quick-release button.
- Micro-adjustable height by turning the base clockwise or counter clockwise.
- Replaces the rifle or chassis original butt pad mounting plate.
- Available in black color only.



NEOPRENE CHEEK PAD

*Neoprene cheek pad only, cheek rest not included



Part#: 03127-2070-K1

For CDX-SS SEVEN S.T.A.R.S. PRO/COVERT and Strike Pro chassis.

Part#: 03127-693-N18

For CDX-R7 SHP Series rifles and Strike Nuke Evo chassis.

Part#: 03127-772-K1

For CDX-R7 CRBN, CDX-R7 SPTR rifles and Tundra Strike chassis.

Part#: 03127-693-L18-RH (right) / 03127-693-L18-LH (left)

For any other Cadex rifles or chassis. Right or left.

SLING MOUNTS

BUTTSTOCK MOUNTING

SPECIFICATIONS

Monopod rail with flush cup
 Part#: 03127-A173-K1
Dimensions: 2.64" x 0.83" x 0.43" | 6.71 x 2.11 x 1.09 cm
Weight (±): 0.053 lb | 24 grams
Material: 6061-T6 aluminum



*Replaces the standard monopod rail

SPECIFICATIONS

Rear sling stud/AES bipod stud
 Part#: 03127-A487-K1
Dimensions: 2" x 0.65" x 0.63" | 3.89 x 1.58 x 1.91 cm
Weight (±): 0.024 lb | 11 grams
Material: 6061-T6 aluminum



*Replaces the standard monopod rail

FORE-END TUBE MOUNTING

SPECIFICATIONS

Flush cup sling adaptor
 Part#: 03127-A174-K1
Dimensions: 1.44" x 0.75" x 0.33" | 3.67 x 1.91 x 0.86 cm
Weight (±): 0.029 lb | 13 grams
Material: 6061-T6 aluminum



SPECIFICATIONS

Small Picatinny sling adaptor
 Part#: 1757
Dimensions: 1.53" x 0.62" x 0.75" | 3.89 x 1.58 x 1.91 cm
Weight (±): 0.029 lb | 13 grams
Material: 6061-T6 aluminum



(NSN#: 1005-20-008-0123)

Cadex Sling Mounts are compatible with most common quick-detachable push buttons and Uncle Mike's style sling swivels on the market. They are versatile mounts that allow shooters to vary the location of the sling attachment on their weapon. These are top of the line sling attachments with tight machining tolerances. Always test for fit and function prior to attaching your rifle as mass-production swivels are sometimes out-of-specs.

FEATURES:

- Fits all Mil Std quick-release sling swivels.
- Attaches to Mil Std M1913 rails.
- Compact size.

SPECIFICATIONS

VTAC L.U.S.A 4 point sling adaptor
 Part#: 1398
 (NSN: 1005-01-561-0488)

Dimensions: 1.52" x 1.33" x 0.75" | 3.86 x 3.4 x 1.91 cm
Weight (±): 0.051 lb | 23 grams
Material: 6061-T6 aluminum



VTAC L.U.S.A. 4 sling attachment methods:

- 1- Passing the sling through the sling loop
- 2- HK hooks and similar quick-release devices
- 3- Push button type quick-release sling swivels
- 4- Locking type sling swivels for sling studs



All flush cup sling adaptors to be used with QD push button swivel

Part#: 175-00006-BLK



MODULAR ACCESSORIES

3" MODULAR PICATINNY RAIL

Part#: 03127-A078-K1



(NSN#: 1005-20-008-9977)

5" MODULAR PICATINNY RAIL

Part#: 03127-A017-K1



(NSN#: 1005-20-011-9507)

Cadex Modular Accessories are designed to fit on Cadex modular products such as rifles, chassis and shotgun accessories. Most rails also fit Remington® products such as the MSR rifle and RACS chassis. The 3", 3.5", 5" & 9" rails and the 10-32 chassis weights bolt on the Cadex proprietary 10-32 slot mounting pattern. The Centre Bipod Rail and Centre Accessory Rail Kit install on most Cadex rifles and chassis systems. All rails are made of aircraft grade 6061-T6 aluminum and include mounting screws.

9" ALUMINUM BIPOD RAIL

Part#: 03127-K015



COMPATIBLE WITH:

- CDX-MC Kraken®, CDX-R7 CPS & CDX-30/300/33 series rifles (not CDX-40/50). The Dual Strike (not 50 BMG), Life Strike and Field Tactical chassis.
- Also fit non M-LOK generation of CDX-R7 LCP/FCP, CDX-R7 SHP rifles and Life/Field Competition, Strike Nuke chassis. (Prior to 2018 models)

CENTRE ACCESSORY RAIL KIT (2)

Part#: 03127-A083-K2



3.5" ALUMINUM BIPOD RAIL

Part#: 03127-A002-K1



10-32 CHASSIS WEIGHTS (2)

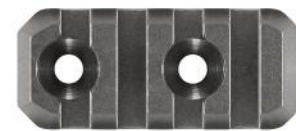
Part#: 03127-921-K2



The 10-32 chassis weights allow shooters to balance their rifle perfectly. Competitive shooters have known for years the benefits of a well balanced gun and additional weight for reducing felt recoil. Weights are made from stainless steel and weigh in at 0.67 lb (300 grams) per pair.

CENTRE BIPOD RAIL

Part#: 03127-A019-K1



*Fits only chassis and rifle models with underbelly mounting points.



M-LOK ACCESSORIES



With the growing popularity of PRS style shooting competitions came a huge selection of aftermarket accessories using the M-LOK technology. With more possible positioning than any other system, the M-LOK system offers a true benefit for the competition shooter.

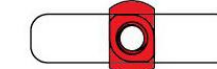
From now on, all products featuring an M-LOK logo next to their names will feature this technology. The M-LOK system isn't compatible with Cadex's previous screw pattern, rails and accessories so make sure to order M-LOK accessories if your chassis or rifle features the M-LOK technology.



INSTALL/UNINSTALL



TIGHTEN



T-NUT LOCKED

M-LOK 3" MODULAR PICATINNY RAIL

Part#: 03127-A078ML



M-LOK 3.5" ALUMINUM BIPOD RAIL

Part#: 03127-A002ML



M-LOK 5" MODULAR PICATINNY RAIL

Part#: 03127-A017ML



M-LOK 9" ALUMINUM BIPOD RAIL

Part#: 03127-K015ML



M-LOK FLUSH CUP SLING ADAPTOR

Part#: 03127-A174ML



M-LOK BIPOD / SLING ADAPTOR

Part#: 03127-957ML



Bipod mounting plate included



M-LOK STACKABLE CHASSIS WEIGHTS (2)

Part#: 03127-949ML-K2



The M-LOK stackable chassis weights allow shooters to balance their rifle perfectly. Competitive shooters have known for years the benefits of a well balanced gun and additional weight for reducing felt recoil. Weights are made from stainless steel and weigh in at 0.67 lb (300 grams) per pair.

UNIVERSAL RAILS

DO IT YOURSELF INSTALLATION

The following products have been developed to make the installation of rails possible on products that were not initially designed to incorporate rails. For example, adding a night vision flat rail on a Competition chassis fore-end tube that does not feature any mounting points at 12 o'clock. If you have basic mechanical knowledge and know how to operate a drill, these rails are the solution you were looking for.

FEATURES:

- Made of aircraft grade 6061-T6 aluminum.
- Picatinny style rails.
- Includes mounting screws.

UNIVERSAL 9" NVD RAIL - Part#: 03127-012-K1

The Universal 9" NVD rail installs at the 12 o'clock position on the fore-end tube of Cadex's Competition series rifles and chassis. The rail bottom is flat and features a 4 screw hole pattern. You will need to drill and tap the fore-end tube at specific locations in order to install this rail. Once installed, your chassis will be able to accommodate a night vision or thermal imaging device. Mounting screws and a drilling template are included within the kit.

FITS:

- CDX-R7 LCP/FCP rifles
- Lite/Field Competition chassis

Estimated time: 30 min

Degree of difficulty: 

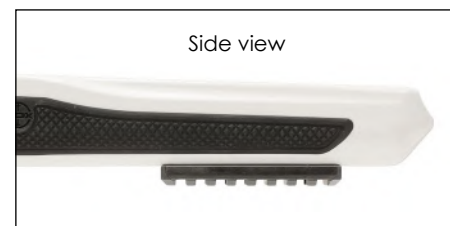
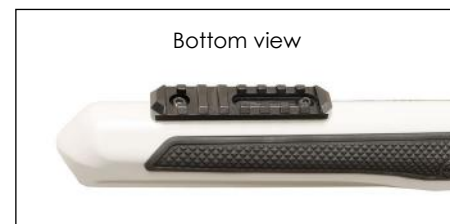


UNIVERSAL 3.5" BIPOD RAIL - Part#: 03127-007-K1

The Universal 3.5" bipod rail features a flat bottom, one #10 size screw hole and one oblong slot that can accommodate multiple bolt patterns. You may install it at various locations on your rifle stock or chassis system to provide you with a Picatinny rail attachment for bipod or other accessories. It includes a variety of mounting screws so that it is very versatile.

Estimated time: 10 min

Degree of difficulty: 



FOLDING & STUBBY GRIP

The Cadex Vertical Folding Grip and Stubby Grip provide the operator with a weapon hold that is adaptable to changing tactical conditions.

FEATURES:

- Folding grip folds parallel to the barrel to be more compact and provide multiple hand hold options.
- Fits Mil Std 1913 and Weaver rails.
- Comes in Black, OD Green or Tan.
- Rattle proof self-draining storage compartment for 2 X CR123 (Folding) and 1 x CR123 (Stubby) batteries.
- Ambidextrous design.
- Solid and lightweight.



SPECIFICATIONS

Folding grip
Part#: 622-000-BLK • 622-000-TAN • 622-000-ODG

Dimensions:
2.81" x 1.67" x 5.62" | 7.16 x 4.26 x 14.28 cm

Dimensions folded:
2.4" x 1.67" x 5.68" | 6.09 x 4.26 x 14.42 cm

Weight (±): 0.29 lb | 131 grams

Material: Nylon

SPECIFICATIONS

Stubby grip
Part#: 1979-BLK • 1979-TAN • 1979-ODG

Dimensions:
2.76" x 1.7" x 3.83" | 7.01 x 4.32 x 9.73 cm

Weight (±): 0.21 lb | 95 grams

Material: Nylon

NSN#:

- 1005-20-002-9378 (for 622-000-ODG)
- 1005-20-009-2174 (for 1979-BLK)
- 1005-20-009-2173 (for 1979-TAN)
- 1005-20-009-2172 (for 1979-ODG)



CARBINE PICATINNY RAIL



The Cadex 6" carbine Picatinny rail attach to the handguard of the M4/C8 carbine or M16/C7 rifle to provide a sturdy Picatinny rail for mounting grips, lasers and other accessories. Also fit AR15s equipped with an A2 handguard. The rail's base is angled to match the handguard taper.

SPECIFICATIONS

6" Picatinny rail
Part#: CMR-418-02

Dimensions:
6" x 0.83" x 0.56"
15.24 x 2.11 x 1.43 cm

Weight (±):
0.09 lb | 43 grams

Material:
6061-T6 aluminum

0.9° ANGLE CORRECTION



FORE-END RAIL

Accuracy International® AW/AICS



SPECIFICATIONS
Accuracy International® fore-end rail
 Part#: 1272-A002 (NSN#: 1005-20-011-8296)
Dimensions:
 11.81" x 3.34" x 2.72" | 30 x 8.5 x 6.9 cm
Weight (±): 1.09 lb | 496 grams
Material: 6061-T6 aluminum



The Cadex fore-end rail provides users of the Accuracy International® rifle or chassis with a world-class mount for in line night vision, lasers and accessories. Designed for the Accuracy International Chassis System (AICS, AW), it provides Mil Std M1913 rails at the 3, 9 and 12 o'clock position.

FEATURES:

- Allows the sniper to install/remove night vision devices without adjusting zero of their primary sniper optic.
- Places the sniper optic and attached night vision on the same plane.
- Side rails provide excellent zero retention of side-mounted laser.
- 0 MOA is standard, but other MOAs are also available on special run.

MP5 FORE-END RAIL



The Cadex MP5 fore-end rail provides the operator with a solid base to accessorize the Heckler & Koch® MP5.

FEATURES:

- Three M1913 mounting rails at 3, 6 and 9 o'clock.
- Provides rigid mounting for lights, lasers and other accessories.
- Easy installation using existing mounting holes.

SPECIFICATIONS
MP5 fore-end rail
 Part#: 1165
Dimensions:
 3.94" x 2" x 1.78" | 10.03 x 5.1 x 4.52 cm
Weight (±): 0.27 lb | 124 grams
Material: 6061-T6 aluminum

M4 EXTENDED FORE-END RAIL

The Cadex M4 extended fore-end rail provides the user with a world-class mount. It is a light and strong rail system. The Cadex rail extension system is produced out of one solid piece of 6061-T6 aluminum and designed for toughness and durability. Its ergonomic design, with multiple rail configurations, allows for great maneuverability and precision improvement. It meets the Mil Std M1913 for rails.

SPECIFICATIONS
Part#: 4093
Dimensions:
 6.34" x 2.19" x 2.3" | 16.1 x 5.56 x 5.84 cm
Weight (±):
 0.6 lb | 271 grams
Material:
 6061-T6 aluminum

SPECIAL PROJECT ONLY
 Subject to minimum ordering quantity



FEATURES:

- Fits on Knight's Armament® model. May fit other AR models with A-frame front sight assembly.
- 2 built-in flush cups.
- One piece design for toughness and durability.
- Multiple end rail position configurations.
- Ergonomic design for maneuverability improvement.
- Allows the operator to extend the handle grip position on the fore-end of the rifle.



TRI-RAIL MOUNT

The Cadex tri-rail mount for the C7/C8, M4/M16 and AR-15 family of small arms provides users with a robust mount for laser pointers, illumination devices and bipods. Mil Std 1913 rails at the 3, 6 and 9 o'clock positions.

SPECIFICATIONS
Part#: 1220
Dimensions:
 3.33" x 2.92" x 2.83" | 8.47 x 7.42 x 7.21 cm
Weight (±):
 0.37 lb | 166 grams
Material:
 6061-T6 aluminum



FEATURES:

- The rail reduces heat transferred to attached electro-optics.
- Installation requires no modifications to the weapon.
- Removable rails allow the user to reduce the weapon's weight and profile, according to their mission.
- Individually removable rails.



(NSN#: 1005-20-009-6220)

SHOTGUN ACCESSORIES

SHOTGUN ACCESSORIES



870 TOP RAIL

Cadex's rail system takes the Remington® 870 shotgun to a new level of versatility, providing a mounting platform that tailors the shotgun to the mission.

FEATURES:

- The Mil Std M1913 rail allows the mounting of red dot sights to help the shooter engage targets quickly and accurately.
- Different combinations of iron sights and mini red dot sights can be mounted to achieve a co-witnessed installation.
- Two side rails are included for mounting lasers or other accessories such as any of Cadex's Sling Mounts or Flashlight Mounts.



*Does not require any receiver drilling

SPECIFICATIONS

Part#: 1486-A010
Dimensions: 20.88" x 2.17" x 3.13" | 53.04 x 5.51 x 7.95 cm
Weight (±): 0.73 lb | 330 grams
Material: 6061-T6 aluminum

Requires the 870 tactical buttstock adaptor to work (Part#: LB-1486)

MOSSBERG® 500/590 SADDLE MOUNT

SPECIFICATIONS

Part#: 6381-TR002
Dimensions: 6.93" x 1.74" x 2.49" | 17.6 x 4.42 x 6.32 cm
Weight (±): 0.28 lb | 127 grams
Material: Aluminum & stainless steel



PICATINNY HAND STOP

The Cadex Picatinny hand stop enhances safe handling of short barreled weapons by preventing the operator's lead hand from moving forward of the muzzle. It also optimizes weapon control and accuracy by providing a tactile indicator of hand position, which allows a repeatable weapon hold.

FEATURES:

- Adaptable to both Mil Std M1913 and Weaver rails.
- Assists positive retention of the weapon for maximum muzzle control during rapid fire.
- Perfect for shotgun and carbine.

SPECIFICATIONS

Part#: 1164
Dimensions: 1.5" x 0.62" x 1.74" | 3.81 x 1.57 x 4.42 cm
Weight (±): 0.07 lb | 31 grams
Material: 6061-T6 aluminum



LOW PROFILE HAND STOP

This low profile hand stop provides a safe grip on the firearm, increasing accuracy and reloading speed by allowing the shooter to focus on shooting instead of where its hand is placed. Fits on the 870, the 870 MCS and the Mossberg® 500/590 modular fore-end pumps.

SPECIFICATIONS

Part#: 5181-HS
Dimensions: 1.43" x 0.91" x 1.12" | 3.63 x 2.32 x 2.83 cm
Weight (±): 0.03 lb | 14 grams
Material: 6061-T6 aluminum



(NSN#: 1005-20-009-9091)



870 MAG CAP DUAL RAIL - Part#: 1486-A012

Cadex's rail system greatly improves effectiveness of the Remington® 870 shotgun, providing a mounting platform which allows users to tailor the shotgun to the mission. The twin M1913 rails allow mounting of flashlights and lasers providing stability and focus when cycling the action of the shotgun.

FEATURES:

- Reuses the original 870 mag cap.
- Twin M1913 Rails.
- Mounts in conjunction with the barrel lug and magazine cap, no modification required.
- Users can install accessories such as Sling Mounts or Flashlight Mount.



(NSN#: 1005-20-009-0565)

SHOTGUN BUTTSTOCK ADAPTORS

for the Remington® 870 and the Mossberg® 500/590

870 TACTICAL BUTTSTOCK ADAPTOR



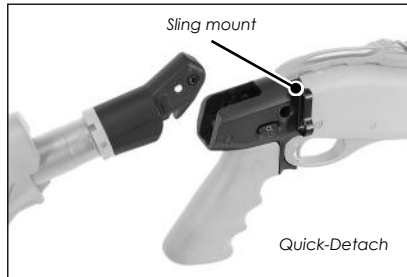
(NSN#: 1005-20-008-9993)

SPECIFICATIONS

Part#: LB-1486

Dimensions:
4.66" x 1.35" x 3.23" | 11.84 x 3.43 x 8.22 cm
Weight (±): 0.62 lb | 280 grams

Dimensions with sling mount:
4.66" x 2.02" x 3.23" | 11.84 x 5.13 x 8.22 cm
Material: Aluminum & stainless steel



Sling mount

Quick-Detach

The Cadex tactical buttstock adaptor for the Remington® 870 or the Mossberg® 500/590 provides the operator with a versatile combat/breaching shotgun combination in one weapon.

FEATURES:

- Allows the shotgun to be quickly configured as a combat or breaching shotgun.
- The buttstock release is a push button mechanism which provides positive locking of the buttstock with no excess movement.



870 FIXED BUTTSTOCK ADAPTOR



SPECIFICATIONS

Part#: 1486-037

Dimensions:
3.45" x 1.35" x 3.24" | 8.76 x 4.87 x 8.23 cm
Weight (±): 0.49 lb | 220 grams

Dimensions with sling mount:
3.45" x 2.02" x 3.24" | 8.76 x 5.13 x 8.23 cm
Material: Aluminum & stainless steel



MOSSBERG® 500/590 TACTICAL BUTTSTOCK ADAPTOR

SPECIFICATIONS

Part#: LB-6381

Dimensions:
5.29" x 1.46" x 3.26" | 13.44 x 3.71 x 8.28 cm
Weight (±): 0.57 lb | 259 grams

Dimensions with sling mount:
5.29" x 2.13" x 3.26" | 13.44 x 5.41 x 8.28 cm
Material: Aluminum & stainless steel



Quick-Detach



FORE-END PUMPS

Customize your own Shotgun Modular Fore-End Pump

The Cadex modular fore-end pump made from 6061-T6 corrosion resistant aluminum offers a world class ergonomic design allowing you to retrofit most Remington® 870 or Mossberg® 500/590 pump handles. 24 threaded inserts allow for multiple rail placements in order to customize your shotgun the way you like it.

FEATURES:

- Made out of 6061-T6 aluminum for maximum resistance.
- Multiple rail positions.
- Ergonomic design.
- Allows you to retrofit easily any hand guard for Remington® 870 or Mossberg® 500/590 shotguns.
- Fits from 0 to 7 rails.

870 MODULAR FORE-END PUMP

SPECIFICATIONS

Part#: 4197

Dimensions:
7.02" x 1.85" x 2.42"
17.83 x 4.72 x 6.15 cm

Weight (±):
0.64 lb
291 grams

Material:
6061-T6 aluminum

(NSN#: 1005-20-009-9980)



*Shown with optional accessories

870 MCS MODULAR FORE-END PUMP

SPECIFICATIONS

Part#: 5181

Dimensions:
5.41" x 1.8" x 1.92"
13.74 x 4.57 x 4.88 cm

Weight (±):
0.35 lb
157 grams

Material:
6061-T6 aluminum



OPTIONAL RAILS AND SLING ATTACHMENTS

5" MODULAR PICATINNY RAIL



Part#: 03127-A017-K1
or M-LOK
Part#: 03127-A017ML-K1

3" MODULAR PICATINNY RAIL



3" Part#: 03127-A078-K1
or M-LOK
Part#: 03127-A078ML-K1

FLUSH CUP



Part#: 03127-A174-K1
or M-LOK
Part#: 03127-A074ML-K1

870 M-LOK MODULAR FORE-END PUMP

SPECIFICATIONS

Part#: 4197-004-K1

Dimensions:
7.00" x 2.40" x 1.65"
17.78 x 6.10 x 4.20 cm

Weight (±):
0.44 lb
200 grams

Material:
6061-T6 aluminum



See compatible
M-LOK accessories P. 90



MOSSBERG® 500/590 MODULAR FORE-END PUMP

SPECIFICATIONS

Part#: 6381

Dimensions:
8.75" x 1.8" x 2.09"
22.23 x 4.57 x 5.31 cm

Weight (±):
0.63 lb
285 grams

Material:
6061-T6 aluminum



*Shown with optional accessories



NIGHT VISION TUBES

PHOTONIS
EXOSENS GROUP

4G+
TECHNOLOGY

4G
TECHNOLOGY



FEATURES:

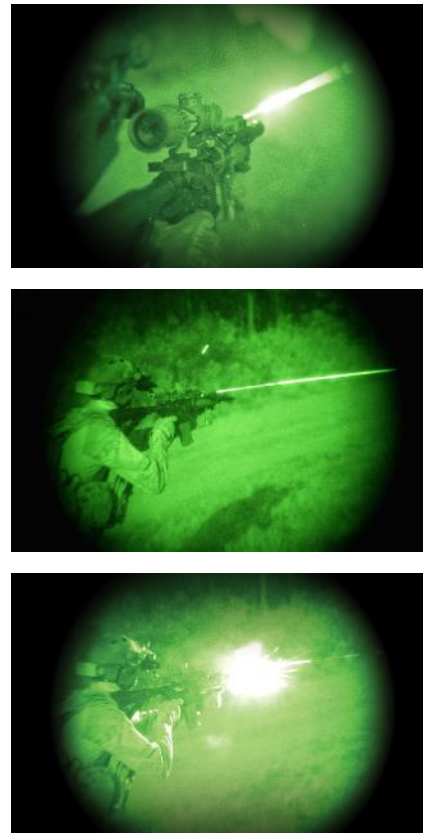
- High quality image in the darkest nights
- Ultra fast auto-gating
- Extended spectral range from 350nm to 1064nm
- Selected for all major Land forces programs in Europe and over the world

4G+

The 4G+ Image Intensifier Tube (IIT) meets the stringent requirements of modern warfare at night to deliver end-users the highest possible performance in all field conditions. This technology offers extended bandwidth for high image quality in all types of environment (desert, snow, forest, urban), very high Figure Of Merit (FOM) performance and a small halo providing more details around light sources. This is an undeniable advantage on the darkest nights.

4G

The 4G technology has become the standard in all major European Land Forces programs. The 4G Image Intensifier Tube (IIT) is a more affordable version than 4G+ while maintaining a high level of performance. 4G IIT provides operators high image quality and long detection ranges in the most challenging light conditions: brightness of equipment, longevity of tubes, ability to see farther in increasingly low levels of darkness and very fast auto-gating.



CADEX NIGHT VISION DIVISION



THEON
SENSORS
Advanced Optronics

Cadex has been involved in electro-optic accessories for over twenty years. Since then, our services toward this market have been expanding. Back in early 2019, Cadex was awarded the contract to supply the Canadian Army Reserves with 300 monocular night vision devices. These systems were assembled in Saint-Jean-sur-Richelieu, Quebec with support from our two OEM suppliers, Photonis® and Theon® Sensors. Cadex is proud to announce the implementation of its Electro-Optic Division and is looking forward to working with our valued customers to expand its capabilities.

THEON® ARGUS



THEON® ARGUS PANOPTES



THEON® NYX



THEON® MIKRON-D



THEON® ARTEMIS



THEON® DAMON



THEON® THERMIS WS



THEON® THERMIS CS



THEON® THERMIS Mk2

NEW



These products are subject to export limitations. Every export must be vetted by Cadex/Theon. Contact Cadex representatives for more information.

NIGHT VISION

Binoculars and Monoculars

THEON® ARGUS PANOPTES

Advanced Modular Night Vision Binoculars (MNVB)

- Two Mil Spec versions available: Lightweight (LW) and Fail Safe with 100% shut off mechanism (FS)
- Consists of two Argus MNVM's connected with a bridge
- Ambidextrous operations
- Independent flip away and flip-up function (FS version)
- Optional Long Range Laser illuminator
- Complete range of accessories including 3X magnifiers, sacrificial, anti-fogging, laser protection filters, camera adapters, etc.
- Built in interface for Thermal Clip-On attachment (FS version)
- Optional Manual Gain Control (MGC)



THEON® ARGUS

Multi-Purpose Night Vision Monocular (MNVM)

- Two Mil-Spec versions available: Lightweight (LW) and Fail Safe with 100% shut off mechanism (FS)
- Ambidextrous operations
- Collimated line of sight allows for use as binocular
- Optional Long Range Laser illuminator
- Complete range of accessories including, 3X or 5X magnifiers, sacrificial, anti-fogging, day training, laser protection filters, camera adapters and more
- Optional Manual Gain (MGC)



The Argus LW is the proud winner of the Canadian Army Reserves Night Vision Monocular program

NIGHT VISION & THERMAL

Weapon Sights



THEON® DAMON

In Line Afocal Night Sight (CNVD)

- Two versions available: Medium Range (MR) and Long Range (LR)
- Adds Night Vision capability by clip on in front of day optics
- No need to remove day sight allowing the eye relief, shooting position and user muscle memory to remain the same
- No bore sight required
- Optional Manual Gain Control (MGC)
- Simple and quick single throw lever mounting on Picatinny rails



The Damon is the proud winner of the Canadian Army Forces Night Vision program

THEON® THERMIS

Thermal Clip-On Sight (CS)

- Three versions available:
 - Medium Range (MR)
 - Long Range (LR)
 - Extra Long Range (ELR)
- Uncooled IR sensor technology for superior image quality
- Built-in digital compass and inclinometer
- Video capture
- Image capture and storage
- State of the art image enhancement algorithms
- Energy efficient (greater than 10 hours)
- Quick start-up (less than 3 seconds)
- Ruggedized military design



The Thermis is the proud winner of the Canadian Army Forces Thermal imaging program



THEON® MIKRON-D

Mini Dedicated Night Vision Binocular (Mini-NVB)

- Mil-Spec and Lightweight
- Utilizes 16mm image intensifier tubes which reduces weight and size substantially
- Optional Manual Gain Control (MGC)
- Integrated IR illuminator
- Independent flip away and flip up function
- Smart Electronics



THEON® NYX

Dedicated Night Vision Binocular (NVB)

- Lightest NVB in its category
- Optional Manual Gain (MGC)
- Smart Electronics
- Complete range of accessories including 3X magnifiers, sacrificial, anti-fogging, day training, laser protection filters, camera adapters, etc.



THEON® THERMIS Mk2

Thermal Clip-On Sight (CS)

- Five versions available:
 - Small (SR)
 - Medium (MR)
 - Long (LR)
 - Extra Long (ELR)
 - xExtra Long (xELR)
- Uncooled IR sensor technology for superior image quality
- Built-in digital compass and inclinometer
- Cutting edge image enhancement algorithms
- Wi-Fi and Bluetooth connectivity
- Image/Video capture and storage
- Energy efficient (greater than 8 hours)
- Quick start-up feature (less than 3 seconds)
- Ruggedized military design



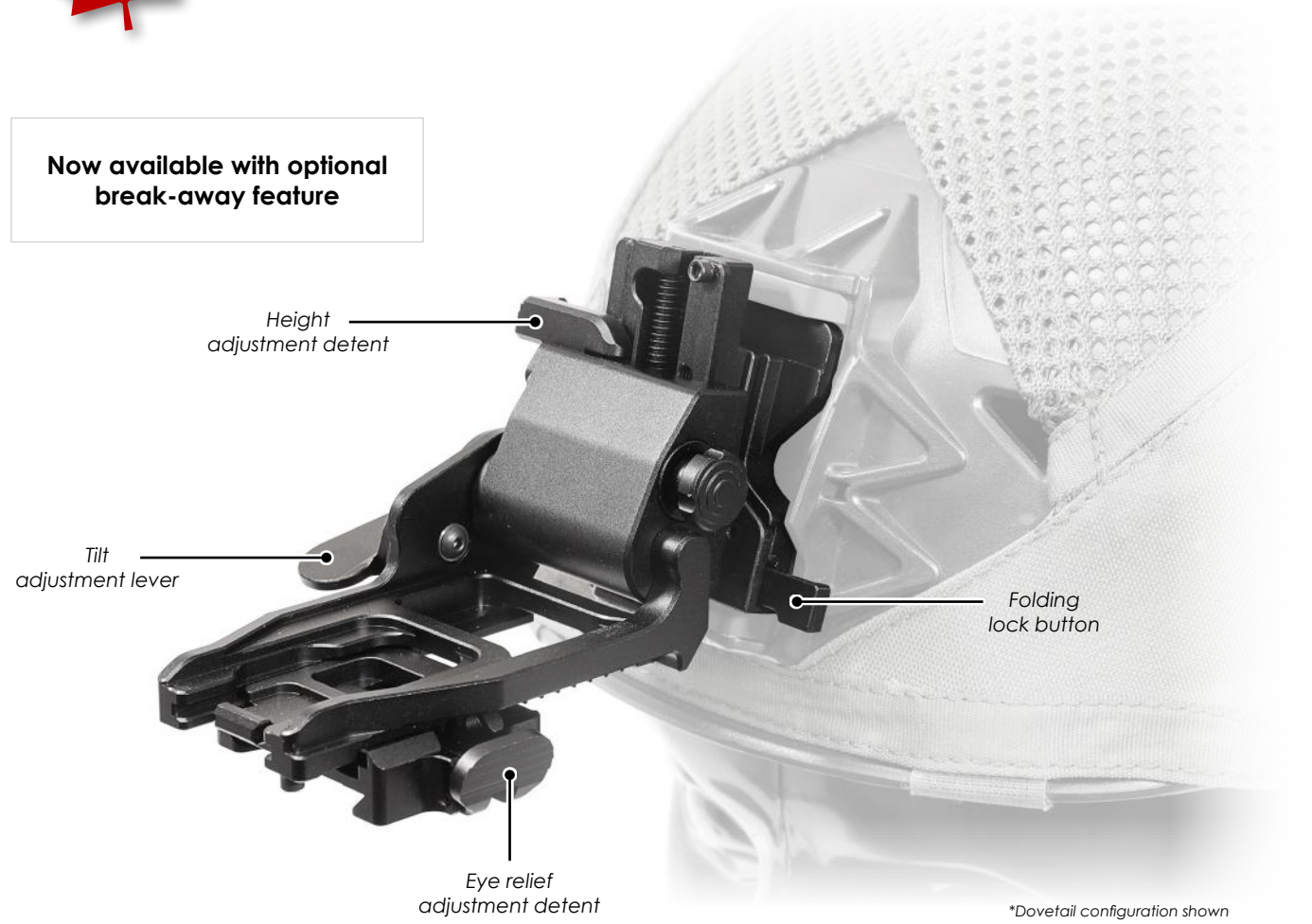
Contact Cadex for more information on Night Vision products

Contact Cadex for more information on Night Vision products



LOW PROFILE FLIP-UP MOUNT

Now available with optional break-away feature



*Dovetail configuration shown

The Cadex low profile flip-up mount is a ruggedized aluminum NVG mount that combines lightness and low profile design with a maximum range of adjustability.

FEATURES:

- Ergonomic "one touch" height adjustment allows the operator to adjust height with one hand.
- Low profile design follows helmet contour when folded.
- Six position adjustable mounting plate fits numerous facial profiles and helmet mounting systems.
- Locked in stowed position.
- Force overcome in down/deployed position.
- If the NVG is bumped or impacted, the low profile flip-up mount will fold and lock in upright position protecting the NVG and operator.



6 position adjustable mounting plate



Compatible with Ops-Core helmets



Compatible with universal shrouds



Stowed position

LOW PROFILE FLIP-UP MOUNT



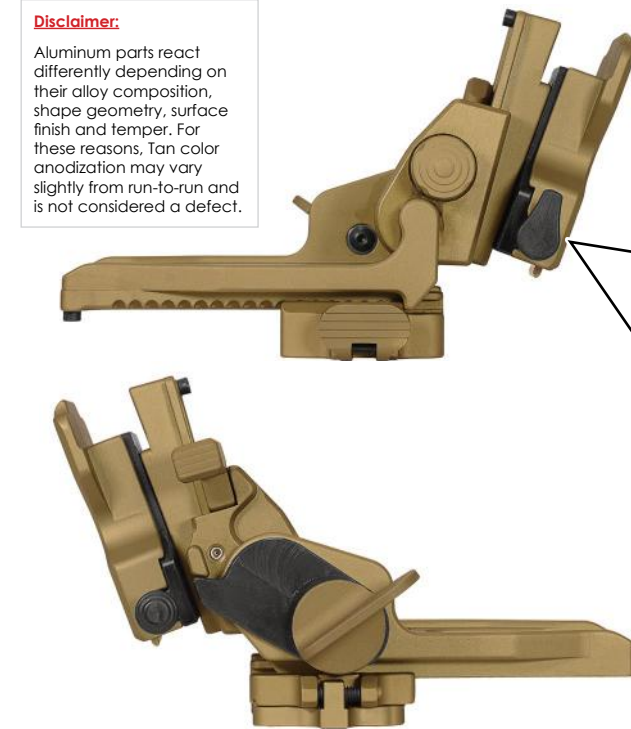
CONFIGURATION	PART #	MATERIAL	DOVETAIL CARRIAGE	BAYONET CARRIAGE	BREAK-AWAY FEATURE	COLOR
DOVETAIL	643-5878-DV-BLK	Aluminum	Included	N/A	N/A	Black
	643-5878-DV-BA-BLK	Aluminum	Included	N/A	Break-Away	Black
	643-5878-DV-TAN	Aluminum	Included	N/A	N/A	Tan
	643-5878-DV-BA-TAN	Aluminum	Included	N/A	Break-Away	Tan
BAYONET	643-5878-BY-BLK	Aluminum	N/A	Included	N/A	Black
	643-5878-BY-BA-BLK	Aluminum	N/A	Included	Break-Away	Black
	643-5878-BY-TAN	Aluminum	N/A	Included	N/A	Tan
	643-5878-BY-BA-TAN	Aluminum	N/A	Included	Break-Away	Tan



BLACK COLOR VARIANT



TAN COLOR VARIANT



Disclaimer: Aluminum parts react differently depending on their alloy composition, shape geometry, surface finish and temper. For these reasons, Tan color anodization may vary slightly from run-to-run and is not considered a defect.

BREAK-AWAY FEATURE

Our break-away feature allows the operator to select between the locked position (which requires to push a button to remove the mount) or the unlocked position (which allows it to break-away under stress so as to prevent injury).



Break-Away deactivated

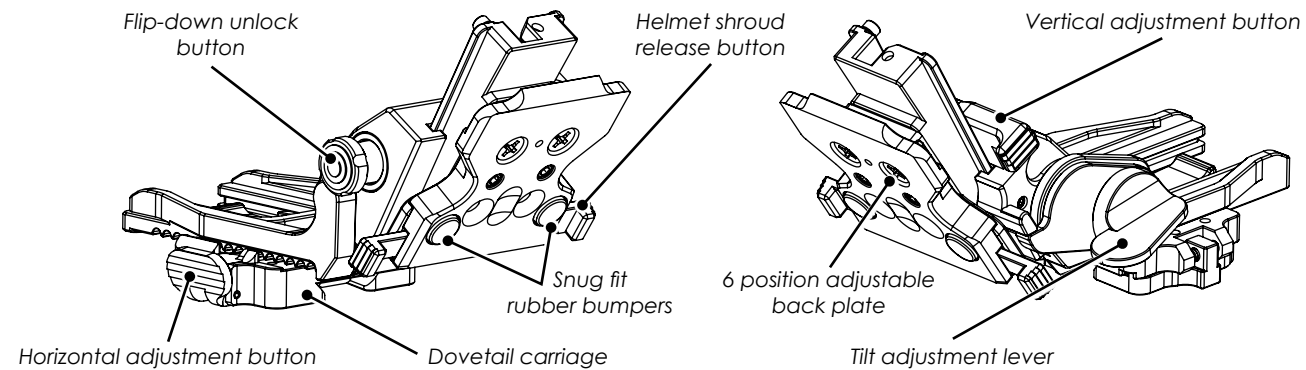


Break-Away activated

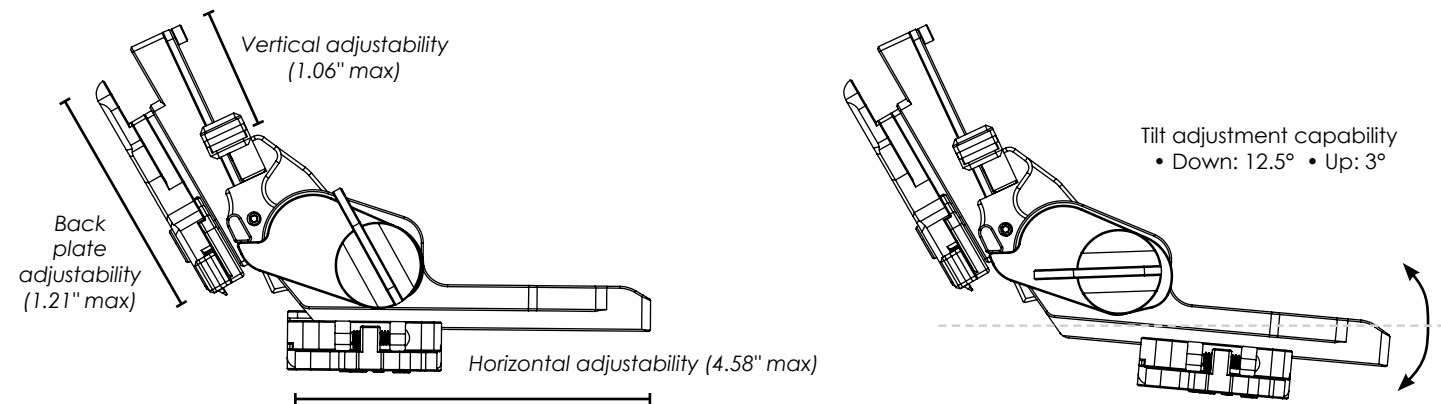
DOVETAIL CONFIGURATION



MECHANISM FEATURES



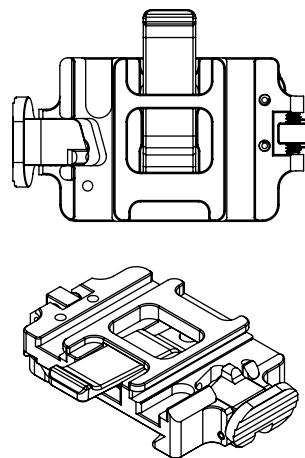
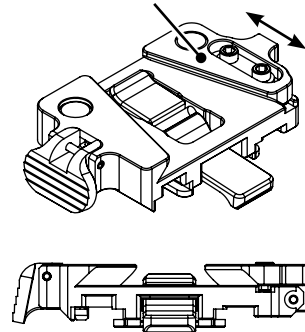
ADJUSTMENT CAPABILITY



DOVETAIL CARRIAGE

(Part#: 643-5878-A003)

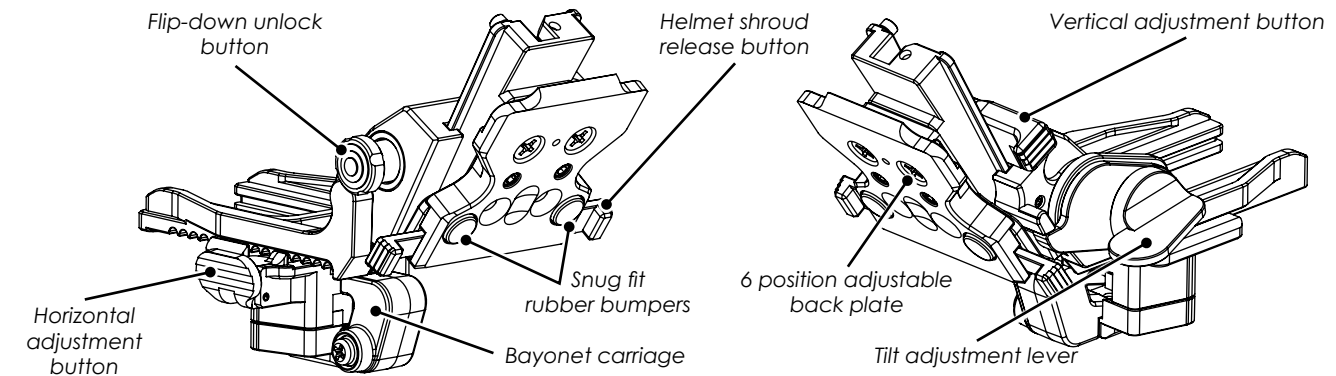
Adjustable for tight fit



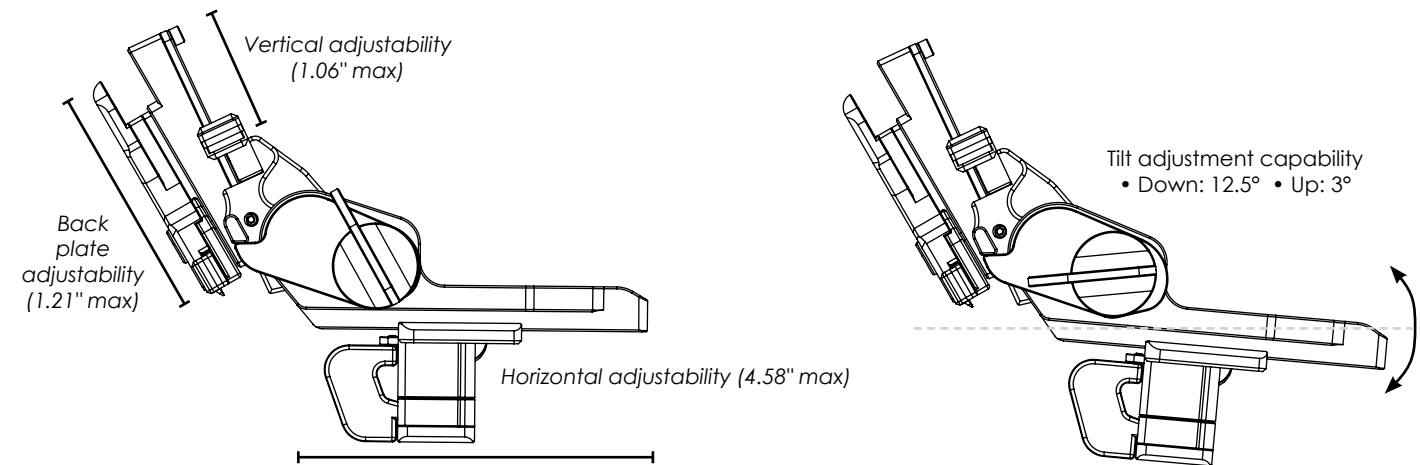
BAYONET CONFIGURATION



MECHANISM FEATURES

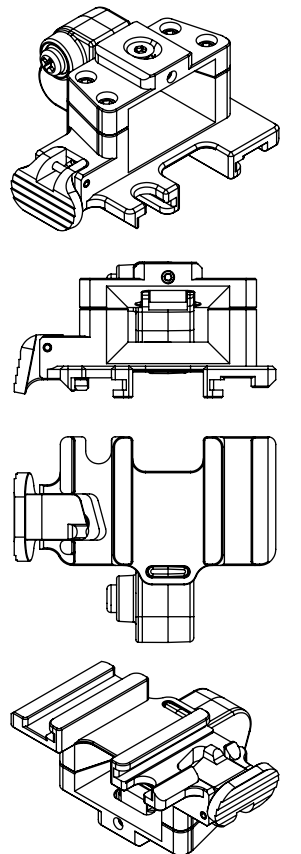


ADJUSTMENT CAPABILITY



BAYONET CARRIAGE

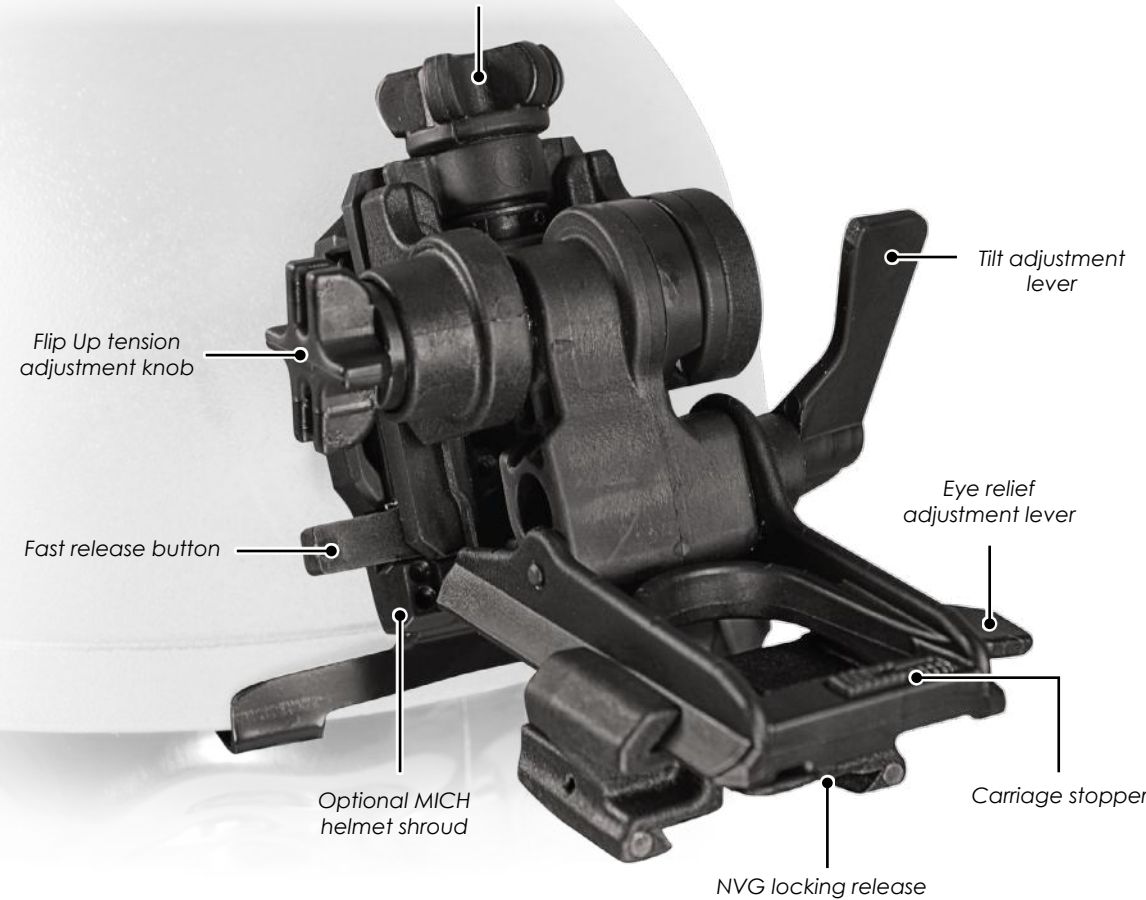
(Part#: 643-5878-A007)





POLYMER FLIP-UP MOUNT

Height micro-adjustment knob



Flip Up tension adjustment knob

Tilt adjustment lever

Fast release button

Eye relief adjustment lever

Optional MICH helmet shroud

Carriage stopper

NVG locking release

*Dovetail configuration shown

Ultra-lightweight and maintenance-free design made out of reinforced nylon to endure desert sand and salt water. Fits a wide variety of helmet designs and is compatible with dovetail or bayonet style NVG interfaces. Cadex offers multiple kits that will adapt to your specific needs.

FEATURES:

- Lightest Flip-Up Mount offered by Cadex.
- Large adjust knobs provide easy adjustments with gloves on.
- Nylon construction allows for silent manipulation of flip up.
- Endures desert sand and salt water.
- Rugged and maintenance free.



NSN#: 5855-20-008-4795 (for 643-93C-BLK)

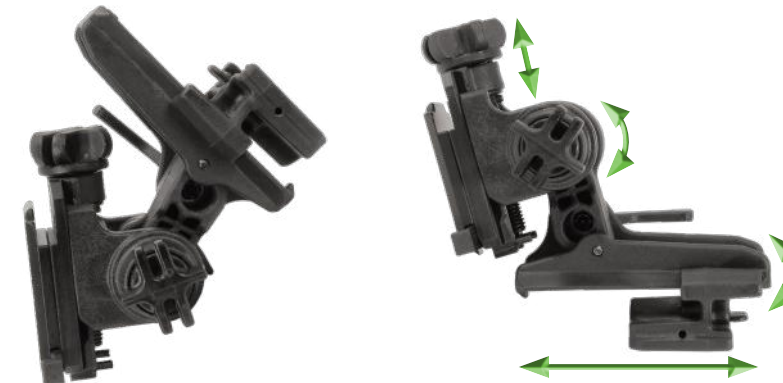
PART #	MATERIAL	DOVETAIL CARRIAGE	BAYONET CARRIAGE	COLOR
643-93C-BLK (Includes the Universal Helmet Strap Kit)	Polymer	Included	Included	Black
643-93FK-206-BLK	Polymer	Included	N/A	Black
643-93FK-207-BLK	Polymer	N/A	Included	Black



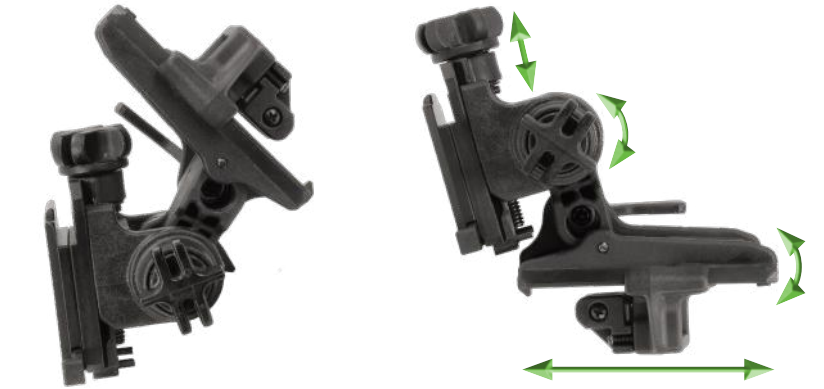
POLYMER FLIP-UP MOUNT



DOVETAIL CONFIGURATION



BAYONET CONFIGURATION



UNIVERSAL HELMET STRAP KIT

The Cadex universal helmet strap kit is designed to adapt to helmets that do not feature a built in universal shroud. It secures on the helmet by clamping on the front and rear helmet edges using custom clips and tightens on top using a ratcheting system to ensure a tight fit. The kit includes one metal clip for either MICH or PASGT helmet style (to be specified when ordering).

FEATURES:

- Counter-weights or battery pack* compatible using the rear dovetail.
- Universal design that adapts to various helmet shapes.
- Ultra lightweight.

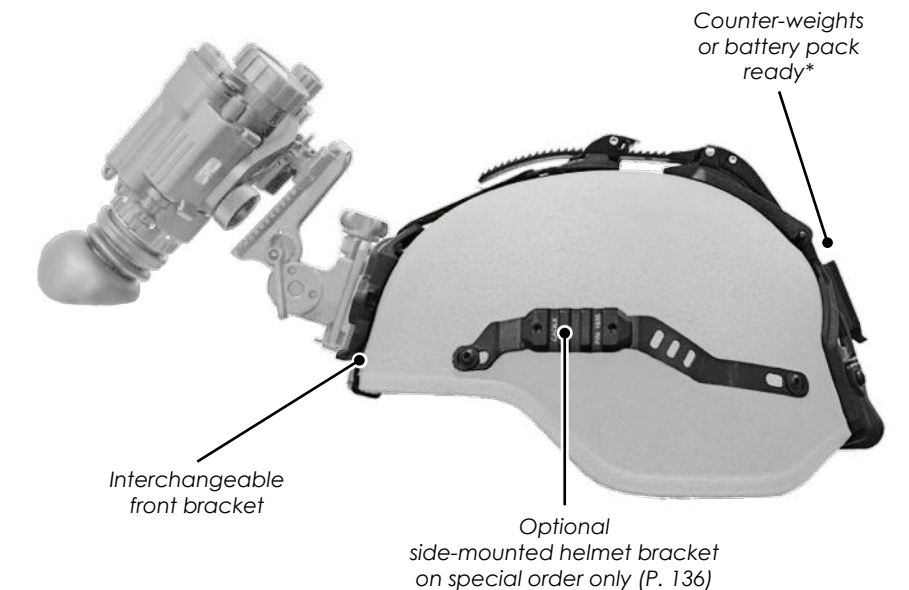
SPECIFICATIONS

Universal helmet strap kit
 Part#: 643-93SK-026 (for MICH helmet)
 Part#: 643-93SK-027 (for PASGT helmet)

Dimensions:
 15.14" x 4.5" x 7.72"
 38.47 x 11.44 x 19.61 cm

Weight (±): 0.4 lb | 181 grams

Material: Nylon ST-801 Black



*Counter-weights and battery pack not included

SURVEILLANCE KIT

The Cadex surveillance kit is convenient and easy to operate. Its adjustment system allows the operator to easily fine tune the component's placement. The Surveillance Kit's pivoting camera mount allows the operator to set up for photographic surveillance in a matter of seconds. Sighting scope inversion means your head is not the most visible point in your sighting system.

FEATURES:

- Easy to operate even with gloves.
- No tools required.
- Folds and dismantles for transportation.
- Designed for the Leupold® Mark4 12-40X60 and 20-60X80 spotting scopes. Also available for the Hensoldt® Spotter 45/60.

SPECIFICATIONS

Surveillance kit complete system (includes I,B,C,D,E,F,J)
Part#: 2700-KIT5 (NSN#: 5855-20-009-3927)

Dimensions:
30.19" x 4.91" x 11.42" | 76.67 x 12.48 x 29.01 cm

Weight (±): 4.54 lb | 2061 grams

Material: 6061-T6 aluminum

INDIVIDUAL SECTIONS

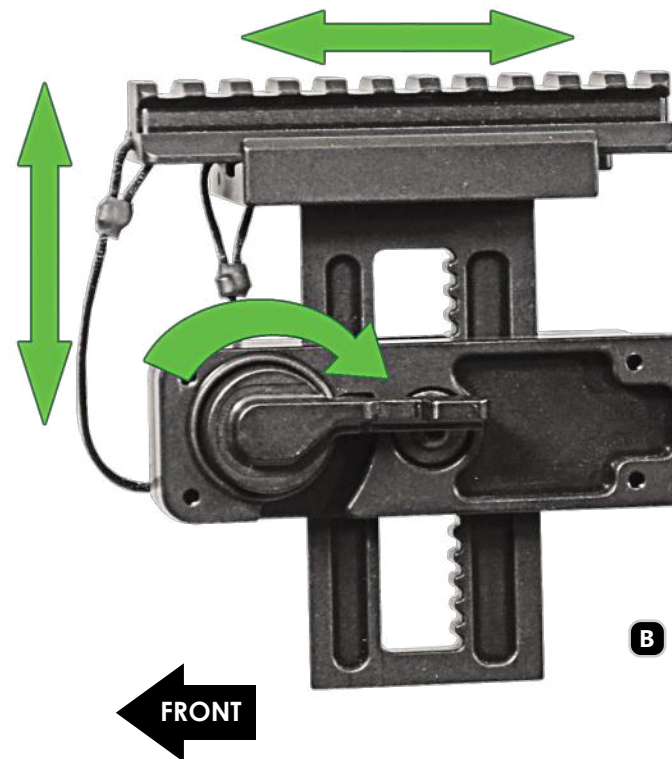
- B** 2322-BSurveillance kit extension
- C** 2322-CSurveillance kit centre rail
- D** 2322-DSpacer for inverter cage
- E** 2322-EExtra side rail for inverter cage
- F** 2322-F3 rails inverter cage
(for Leupold® Mark 4 12-40x60 & 20-60x80)
- H** 2322-FS60Hensoldt® 3 rails cage (for Spotter 45/60)
(see P. 111)
- I** 2322-ISurveillance kit front section (2700 Model)
- J** 2322-JSurveillance kit back section (2700 Model)
- K** 2322-KAdaptor for riflescope
- P** 2322-PInverter kit to Picatinny adaptor
- Q** 2322-QKestrel® holder (see P. 111)

K ADAPTOR FOR RIFLESCOPE



I SURVEILLANCE KIT FRONT SECTION

One quick adjust button for your night optic plus a precise micro adjustment wheel means you can achieve the perfect fit.

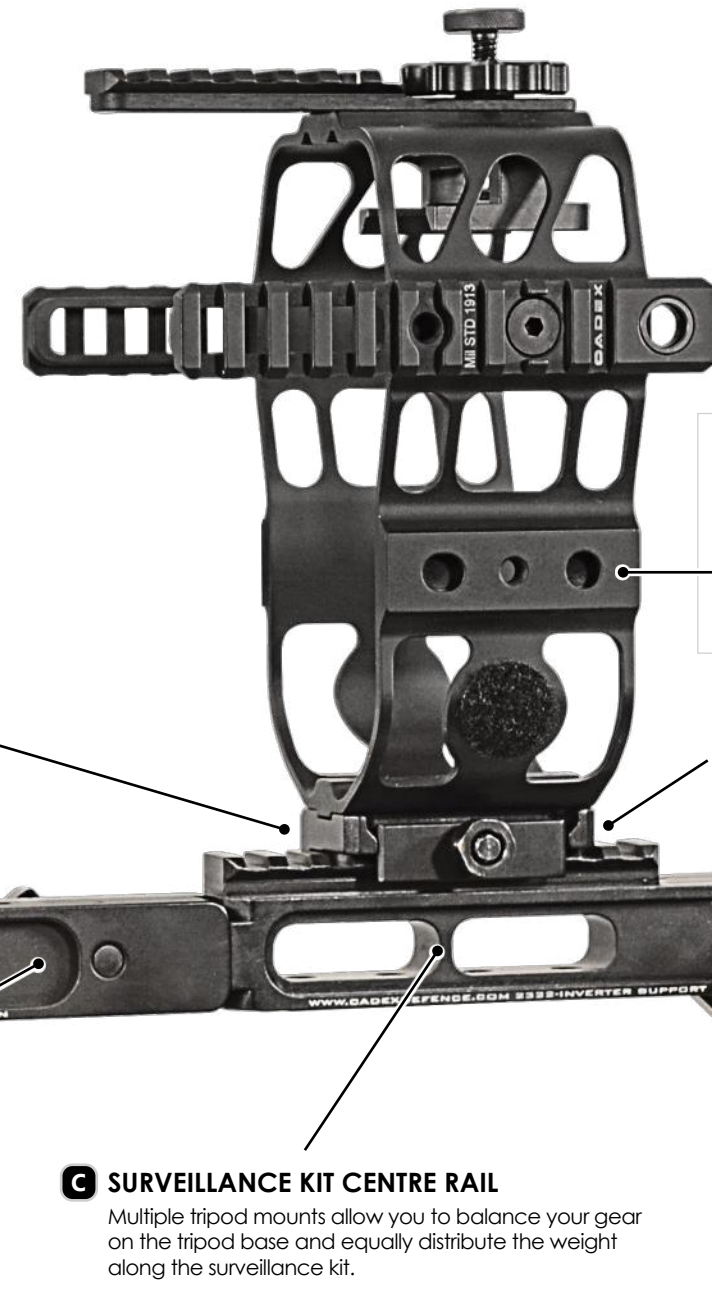


P INVERTER KIT TO PICATINNY ADAPTOR



B SURVEILLANCE KIT EXTENSION

The extension is recommended for mounting a night vision device at the front of the spotting scope.



C SURVEILLANCE KIT CENTRE RAIL

Multiple tripod mounts allow you to balance your gear on the tripod base and equally distribute the weight along the surveillance kit.

BUILD YOUR OWN

F 3 RAILS INVERTER CAGE

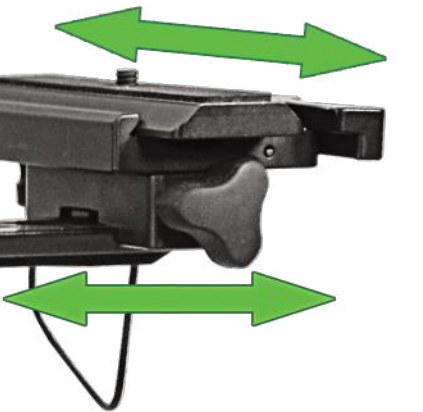
The inverter cage includes a unique spotting scope cradle that ensures the chassis and other mounted accessories are stable and aligned. It also allows the scope to float within the inverter as it is the scope's only point of attachment providing a secure connection between your spotting scope and the surveillance chassis. Can fit up to 5 rails.

E EXTRA SIDE RAIL FOR INVERTER CAGE

Optional rails also available for mounting accessories.



D SPACER FOR INVERTER CAGE



J SURVEILLANCE KIT BACK SECTION

The camera mount is equipped with a horizontal (left/right) adjustment for a precise fit. With the click of a button, your camera's height can be adjusted to match your spotting scope. If finer adjustment is needed, simply use the micro adjustment wheel and the perfect fit will be achieved.

SURVEILLANCE KIT

and accessories

Cadex offers a wide variety of surveillance kits. Customers may request other mounting options to fill their particular requirements. Specially designed for snipers or surveillance teams, the surveillance kit decreases the amount of weight carried. The surveillance kit is easy to manipulate during extreme cold weather conditions and in darkness.



BACK SECTION TOP VIEW

FOLDS AT 45°



H Hensoldt® 3 rails cage for Spotter 45/60 - Part#: 2322-FS60

- Ability to mount accessory rails for LRF, Red Dot, Weather Station, etc.
- Offering additional protection
- Compatible with complete surveillance kit or as a stand alone unit
- Allows a perfect alignment for camera, spotting scope and night vision or thermal imaging



Q Kestrel® holder - Part#: 2322-Q



SURVEILLANCE KIT

Mounting Adaptor

The Cadex surveillance kit offers endless possibilities when it comes to mounting accessories. Each year, new electronic devices are hitting the market and they all require their own mounting interface. This is why Cadex is constantly adding new adaptor blocks to its selection of mounting bases.

Step #1 is to select the BASE type that you are planning to use. Step #2, combine it with the appropriate ADAPTOR BLOCK that you require.

BASES (STEP #1)

1683-A077-K1	RC2 tripod adaptor base
1683-A078-K1	Arca adaptor base
1683-A085-K1	Picatinny adaptor base (nut)
1683-A080-K1	QD Picatinny adaptor base
1683-A082-K1	Picatinny adaptor base (thumbscrew)

ADAPTOR BLOCKS (STEP #2)

1683-A067-K1	Adaptor block for Vectronix® PLRF15C
1683-A068-K1	Adaptor block for Safran® JIM LR
1683-A069-K1	Adaptor block for Vectronix® Vector IV
1683-A070-K1	Adaptor block for Vectronix® Vector PLRF25C BT
1683-A071-K1	Adaptor block for Vectronix® Vector 21 Nite
1683-A072-K1	Adaptor block for Swarovski® 60x Spotting scope
1683-A073-K1	Adaptor block for Leupold® 40x Gold Ring Spotting scope
1683-A083-K1	Adaptor block for Canon® Camera
1683-A084-K1	Adaptor block for Coral-CR-C AN/PAS 503

UNIVERSAL BASES

1683-A074-K1	Universal RC2 tripod base
1683-A076-K1	Universal Arca rail base

STEP #1: CHOOSE YOUR BASE



1683-A077-K1
(RC2 type)



1683-A078-K1
(Arca type)



1683-A085-K1
(Picatinny type)



1683-A080-K1
(Quick-Detach type)



1683-A082-K1
(Thumbscrew type)

STEP #2: CHOOSE YOUR ADAPTOR BLOCK



1683-A067-K1



1683-A068-K1



1683-A069-K1



1683-A070-K1



1683-A071-K1



1683-A072-K1



1683-A073-K1



1683-A083-K1



1683-A084-K1

UNIVERSAL BASE



1683-A074-K1
(RC2 type)



1683-A076-K1
(Arca type)

If a proprietary mounting block doesn't exist for your electronic device, you can request a new block to be developed or use one of the following universal bases. These bases feature 3 pressure screws to block the rotation.

SOLO SIGHT MOUNT

The SOLO sight mount dramatically enhances the fighting capabilities of the soldier during day and night conditions. The system is the world's premier military off-the-shelf sight mounting solution. It is designed to enhance the sighting capabilities of NATO-standard weapons such as:

- The M2 .50 cal (12.7mm) Heavy Machine gun
- The 40mm MK19 Grenade Machine gun
- The 40mm Heckler & Koch® Grenade Machine Gun

The SOLO platform integrates up to three sight modules in a wide variety of configurations and provides both day and night sight capabilities.

The system allows for a rapid switch from active to passive target acquisition mode.

During firing, the operator adjusts the range with one hand while the other is free to control the weapon. An illuminated range dial allows the operator to rapidly set the range for a quick engagement, day or night.

More than
10 000
units sold
worldwide

The SOLO mount incorporates a precise mechanical spin drift compensation for 40mm high velocity grenades. The SOLO also has a unique integral mount buffer system, which allows the operator to keep an eye on the sight and also protects the optical modules by absorbing 88% of harsh peak recoil forces.

FEATURES:

- Accommodates up to 4 day/night electro-optic devices.
- Increases lethality of both 40mm and .50 cal platforms.
- 40mm mechanical spin drift compensation.
- 88% absorption of peak recoil forces.
- Illuminated Range Dial.
- Customizable configurations.

SPECIFICATIONS

SOLO sight mount Part#: 724-940
(NSN#: 5342-20-009-3657)

Dimensions:
16.21" x 8.64" x 7.16" | 41.17 x 21.94 x 18.2 cm

Weight (±): 10.59 lb | 4804 grams

Material: 6061-T6 aluminum, alloy & composite

The SOLO sight mount converts a zone-spreading machine gun into a precise target engagement tool with one round one hit capability at extreme ranges.

SOLO SIGHT MOUNT



The SOLO sight mount is the backbone of the US Marine Corp's HMGSS (Heavy Machine Gun Sight System). Named the BERM (Ballistic Extended Rail Mount), it has been assigned the M520 designation.

INTERFACES WITH:



Illuminated elevation knob



40mm spindrift compensator



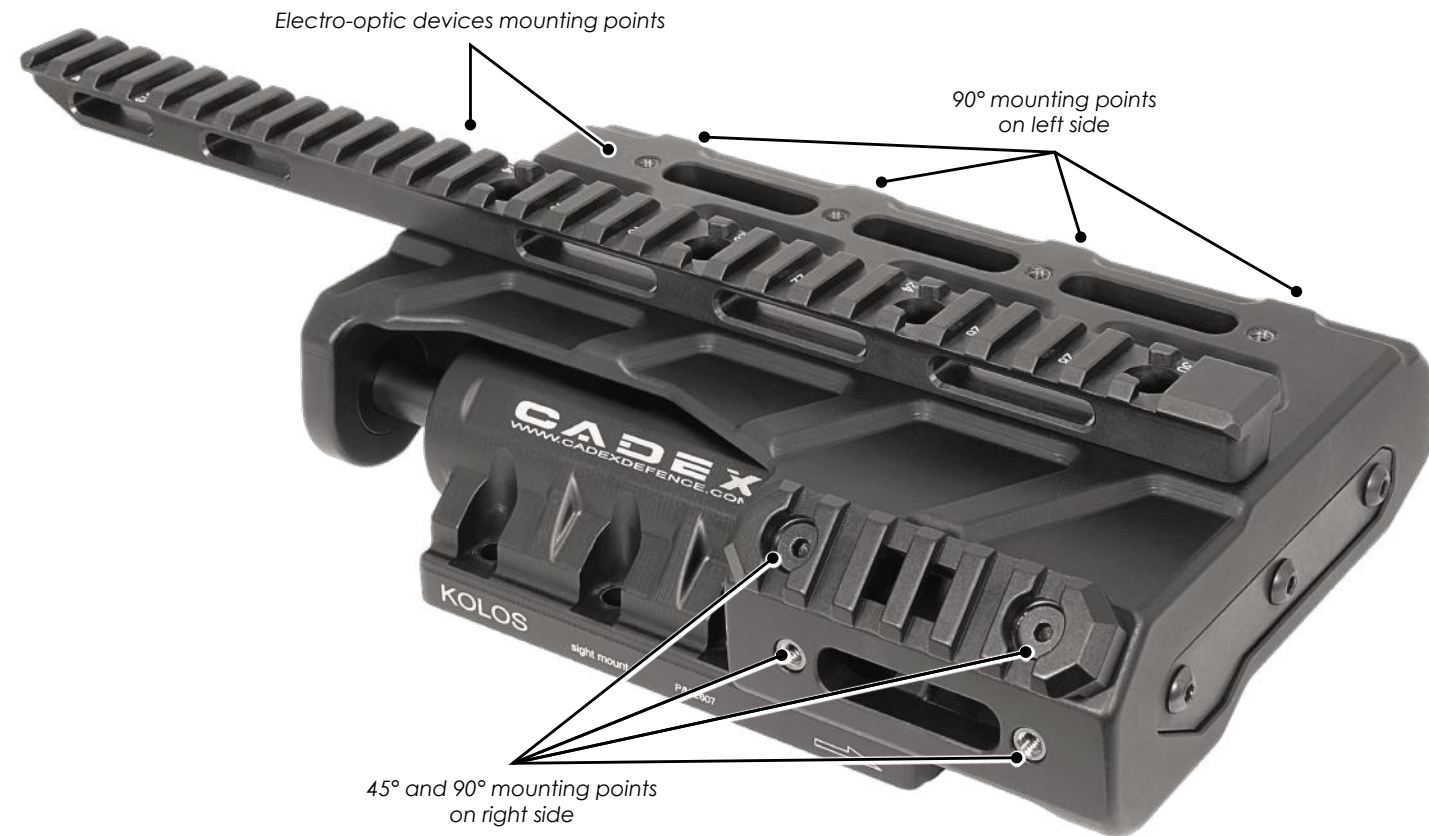
50BMG/40mm interchangeability



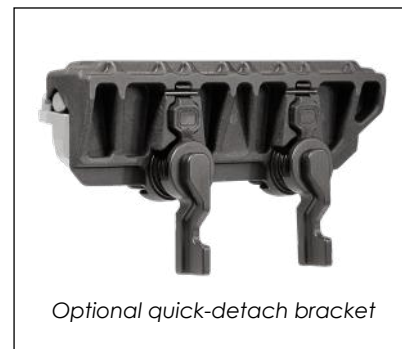
Optional rubberized eyepiece for SpecterDR or Leupold® CQBSS. Other models available upon request.



KOLOS SIGHT MOUNT



The KOLOS sight mount converts a zone-spreading machine gun into a precise target engagement tool with one round one hit capability at extreme ranges.



Optional quick-detach bracket

The KOLOS sight mount significantly enhances day and night fighting capabilities of the M2 .50 caliber machine gun and 40mm GMG. With the KOLOS mount, the gunner is able to rapidly transition from active to passive target acquisition methods to produce maximum effective fire on the target.

Because of the KOLOS mount buffer system, the gunner can keep his eye against the sight eye cup while firing to maintain the sight picture.

FEATURES:

- Low profile buffering of optics systems.
- Accommodates up to 4 day/night electro-optic devices.
- Increases lethality of .50 cal platforms.
- 88% absorption of peak recoil forces.
- Customizable configurations.
- 12" Picatinny main rail included.
- 3" and 5" modular accessory Picatinny rails included.

SPECIFICATIONS

KOLOS sight mount
Part#: 2607

Dimensions:
12.27" x 5.78" x 2.78" | 31.17 x 14.68 x 7.06 cm

Weight (±): 4.52 lb | 2050 grams

Material: 6061-T6 aluminum

QUICK-DETACH BRACKETS

The quick-detach bracket is a mount interface for the SOLO and KOLOS which provides for "no tool" mounting on both the M2 12.7mm (.50 cal) machine gun and the 40mm GMG (AGL).

**Some M2 iron sight models may interfere with the Cadex bracket. Please contact us to ensure you order the right model for your M2 receiver.*

FEATURES:

- Allows the user to install and remove the SOLO/KOLOS to/from their weapon with complete return to zero.
- Quick-detach bracket installation does not require any modifications to the weapon.
- Does not interfere with normal function or handling drills.
- All versions of the SOLO already in service can be retrofitted with this mount.

SPECIFICATIONS

QD Bracket, 40mm Male/Female HK GMG (C16)
Part#: 00573-A011 (NSN#: 1005-20-009-5598)

Dimensions:
5.48" x 5.14" x 0.99" | 13.92 x 13.06 x 2.51 cm

Weight (±): 1.77 lb | 803 grams

Material: Steel

QD Bracket, Male interface ONLY
Part#: 00724-A006-K1

This bracket is designed for MG already equipped with a female dovetail bracket.



SPECIFICATIONS

QD Bracket, Male Interface SOLO
Part#: 00573-A222 (NSN#: 1005-20-006-4679)

Dimensions:
6.9" x 1.69" x 2.41" | 17.52 x 4.29 x 6.12 cm

Weight (±): 0.71 lb | 322 grams

Material: 6061-T6 aluminum



SPECIFICATIONS

QD Bracket, M2 Interface SOLO
Part#: 00573-A219 (NSN#: 1005-20-006-4657)

Dimensions:
7.54" x 3.7" x 1.6" | 19.15 x 9.4 x 4.06 cm

Weight (±): 1.03 lb | 466 grams

Material: 6061-T6 aluminum



SPECIFICATIONS

QD Bracket, MK19 Interface SOLO
Part#: 00573-A221 (NSN#: 1005-20-006-4658)

Dimensions:
7.51" x 2.42" x 3.52" | 19.08 x 6.15 x 8.94 cm

Weight (±): 1.05 lb | 476 grams

Material: 6061-T6 aluminum



SPECIFICATIONS

Fixed Bracket, MK19 Interface SOLO
Part#: 00573-A223 (NSN#: 1005-20-006-4664)

Dimensions:
7.38" x 1.58" x 3.03" | 18.75 x 4.01 x 7.7 cm

Weight (±): 1 lb | 457 grams

Material: 6061-T6 aluminum



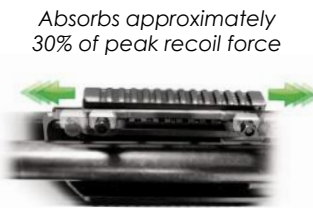
RECOIL RAIL FAMILY



60 BSMe Mortar recoil rail



Recoil rail



Absorbs approximately 30% of peak recoil force

SPECIFICATIONS

Recoil rail
Part#: RR-2337 (NSN#: 5340-14-573-7474)
Dimensions:
6.1" x 1.73" x 0.39" | 15.5 x 4.4 x 1.01 cm
Weight (±): 0.41 lb | 187 grams
Material: 6061-T6 aluminum

SPECIFICATIONS

60mm BSMe Mortar recoil rail
Part#: RR-2337-A007
Dimensions:
6" x 1.75" x 1" | 15.2 x 4.4 x 2.5 cm
Weight (±): 0.4 lb | 184 grams
Material: 6061-T6 aluminum

WARNING
Not recommended for precision rifle optics or lasers

The Cadex recoil rail provides electro-optic devices with protection from firing shock of hard recoiling weapons, such as the M2 .50 caliber machine gun.

The Cadex recoil rail uses a patented buffer system to absorb approximately 30% of the peak recoil force which would otherwise be transferred to the mounted optic.

FEATURES:

- Absorbs approximately 30% of peak recoil force.
- Returns the electro-optic to its original position after firing.
- Increases life expectancy of electro-optic devices.
- Can be used as bipod rail to improve follow up shots.
- Custom interfaces available for a variety of devices.
- Reduces the blur effect of iron sights when firing in full automatic mode.

CM2 QUICK-RELEASE BRACKET



CM2 quick-release bracket



CM2 quick-release bracket with recoil rail

SPECIFICATIONS

CM2 quick-release bracket
Part#: 2905-A002 (NSN#: 5340-20-009-3656)
Dimensions:
9.06" x 4.13" x 3.94" | 23 x 10.5 x 10 cm
Weight (±): 1.6 lb | 726 grams
Material: 6005-T6 aluminum

The Cadex CM2 quick-release bracket provides users with a solid optic mount for the M2 12.7mm (.50 cal) heavy machine gun.

FEATURES:

- A 7.5" Mil Std M1913 Picatinny rail for secure optics mounting.
- Quick-detach installation does not require any modification to the weapon.
- Made from a single piece of lightweight 6005-T6 aluminum.
- Tabs are made from a reinforced acetal to improve sliding and locking capabilities.
- Reinforced composite tabs also ensure that they are break-proof and will not wear out over time.
- A stainless steel screw secures the tabs to the quick-release bracket aluminum body.



Quick-release bracket with recoil rail for M2 machine gun

SPECIFICATIONS

CM2 quick-release bracket with recoil rail
Part#: 2905-A002RR
Dimensions:
9.06" x 4.13" x 3.94" | 23 x 10.5 x 10 cm
Weight (±): 1.6 lb | 726 grams
Material: 6005-T6 aluminum

C6/M240 DUAL RAIL



The Cadex dual rail for the C6, M240 and MAG 58 machine guns provides users with a robust mount for laser pointers and illumination devices.

FEATURES:

- Mil Std M1913 rails at 3 and 9 o'clock positions. Optional positioning at 6 o'clock and 45° angle.
- Reduces heat and vibration transferred to attached electro-optics.
- Provides excellent zero retention of mounted devices.
- Configurable rails.
- Optional 6 o'clock rail positioning for mounting a folding grip.

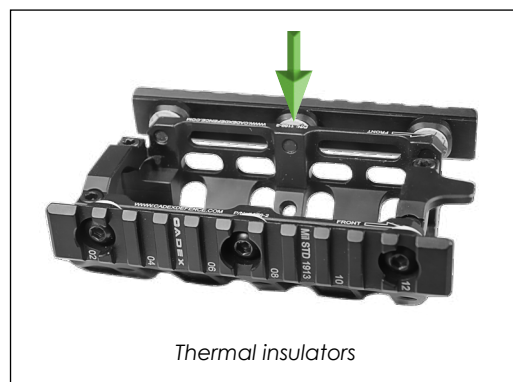
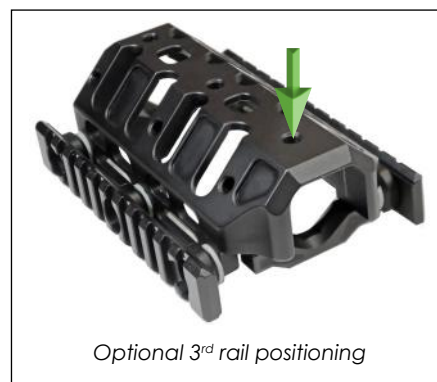
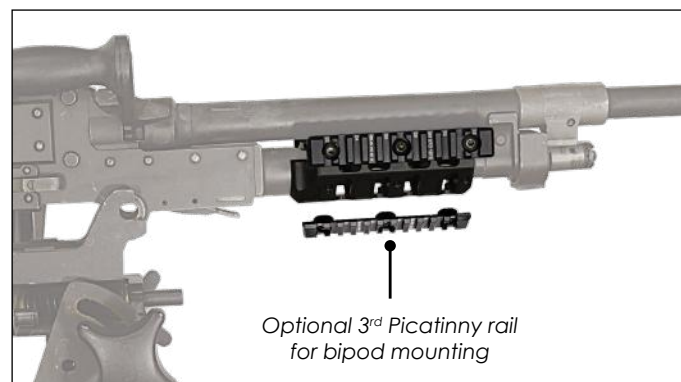
SPECIFICATIONS

C6/M240 dual rail Part#: 1166-2
(NSN#: 1005-20-011-4535)

Dimensions:
6.14" x 3.52" x 1.89" | 15.5 x 8.95 x 4.81 cm

Weight (±): 0.63 lb | 285 grams

Material: 6061-T6 aluminum



C6 BUTTSTOCK

The Cadex C6 buttstock provides the operator with a world-class fully adjustable buttstock. Designed for enhanced shooting comfort and more precision in the field. Easily adjustable for the length of pull. This new C6 buttstock is entirely compatible with the existing C6 buttstock which makes it simple to retrofit the existing one. Ergonomic design for easy maneuverability and precision improvement, it extends (2 inch travel) /collapses without any tools.

FEATURES:

- Easy to retrofit existing C6.
- Extends (2 inch travel) /collapses without any tools.
- Ergonomic design for easy maneuverability.
- Made of 6061-T6 aluminum with some components made of fiber reinforced composite.
- Ambidextrous design.
- Up/down cheek piece adjustment.
- Forward/rearward cheek piece adjustment.
- Buttstock sling attachment.
- Rubberized butt pad.

SPECIFICATIONS

C6 buttstock Part#: 4016

Dimensions:
8.66" x 2.08" x 5.56" | 22 x 5.28 x 14.12 cm

Dimensions extended:
10.66" x 2.08" x 7.76" | 27.08 x 5.28 x 19.71 cm

Weight (±): 2 lb | 907 grams

Material: 6061-T6 aluminum



C9/M249 DUAL RAIL



SPECIFICATIONS

C9/M249 dual rail - Part#: 578
Dimensions: 5.15" x 3.76" x 3.2" | 13.08 x 9.57 x 8.13 cm
Weight (±): 0.53 lb | 241 grams
Material: 6061-T6 aluminum

The Cadex dual rail for the C9, M249 and FNH® Minimi light machine guns provides the user with a versatile, lightweight mount for laser pointers and illumination devices.



FEATURES:

- Mil Std M1913 rails at the 3 and 9 o'clock positions.
- Reduces heat and vibration transferred to attached electro-optics.
- Provides excellent zero retention of mounted devices.
- Clamps to the weapon receiver and indexes with the machine gun's front mount bushing.

C9/M249 TRI-RAIL



SPECIFICATIONS

C9/M249 tri-rail - Part#: 1212
Dimensions: 10.98" x 2.66" x 3.89" | 27.9 x 6.78 x 9.89 cm
Weight (±): 1.06 lb | 482 grams
Material: 6061-T6 aluminum

The Cadex tri-rail for the C9, M249 and FNH® Minimi LMGs provides the gunner a solid mount for lights, aiming lasers and other weapon accessories.



FEATURES:

- Minimizes heat transfer to the gunner's hand when firing at high rate of fire.
- Provides three Mil Std M1913 rails, at 3, 6 and 9 o'clock.
- The side rail location is optimized to place aiming lasers in the same horizontal plane as the barrel axis.
- Keeps accessories mounted close to the weapon's center of gravity.

C16 COVER LATCH & HANDLE

Cadex cover latch assembly was designed for mission success. Built from 6061-T6 aluminum, delrin and stainless steel.



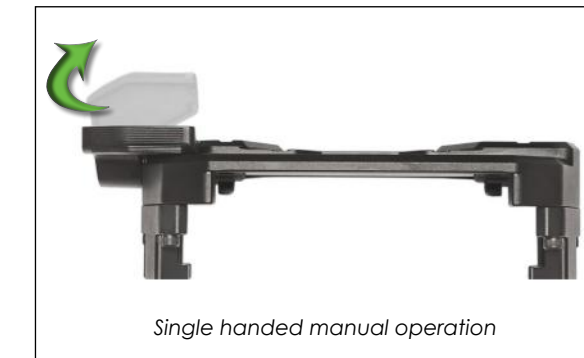
C16 cover latch

FEATURES:

- Cover Latch assembly is easily indexed during complex operations both day and night.
- Single handed manual operation.
- Operator friendly for gun drills loading/unloading.
- Installs in minutes on the existing cover. No modifications required.

SPECIFICATIONS

C16 cover latch
 Part#: 5119-A001 (NSN#: 1005-20-009-5600)
Dimensions: 10.66" x 3.57" x 3.26" | 27.08 x 9.07 x 8.28 cm
Weight (±): 1.86 lb | 844 grams
Material: Aluminum / Stainless / Delrin



EXTENDED COCKING HANDLE

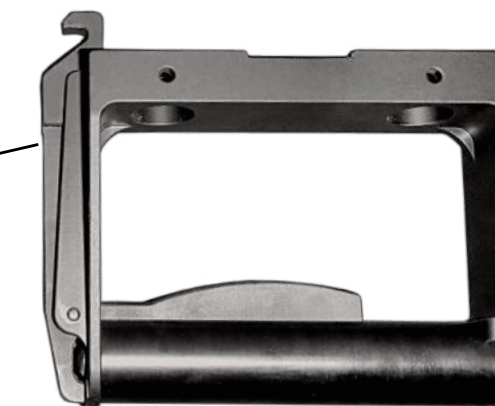
FEATURES:

- Extended cocking handle for use with gloves.

SPECIFICATIONS

Extended cocking handle
 Part#: 5119-A050
Dimensions: 5.23" x 4.6" x 1.44" | 13.28 x 11.68 x 3.66 cm
Weight (±): 0.69 lb | 313 grams
Material: Aluminum / Stainless / Delrin

**Compatible with HK GMG only*





The Cadex Titanium Halligan Bars (24" or 30") are the ultimate breaching tools available in the breacher's arsenal. You can pry, twist, rip or smash doors, frames, drywall and basically any piece of wood that gets in your way. The weight saving is tremendous, as titanium is about half the weight of steel that would normally be used on similar tools, without compromising its wielding power.



HALLIGAN BARS

FEATURES:

- High strength, titanium alloy, one piece integrally cast octagonal shaft and ends.
- 56% lighter than steel.
- Rust free and corrosion resistant to many chemicals and salt water.
- Low conductivity.

SPECIFICATIONS

Titanium Halligan Bar 24"
Part#: 580-089

Dimensions:
6.87" x 6.75" x 24"
17.45 x 17.15 x 60.96 cm

Weight (±):
5.1 lb | 2313 grams

Material: Titanium alloy

SPECIFICATIONS

Titanium Halligan Bar 30"
Part#: 580-088

Dimensions:
6.87" x 6.75" x 30"
17.45 x 17.15 x 76.2 cm

Weight (±):
5.9 lb | 2676 grams

Material: Titanium alloy



BREACHING MULTI-TOOLS

The Cadex telescopic tactical breaching multi-tool is one of the most powerful breaching tools available. A combination of breaching hammer, Halligan tool, hinge breaker and expedient ram. The Cadex tactical breaching multi-tool provides superior capabilities over traditional single use tools. Recently upgraded after ten years of service, the improved TBH allows the user to adapt their equipment to the mission at hand.

FEATURES:

- Its unique design incorporates the functionality of multiple tools, in a simple package. Carry one or carry five?
- Its telescopic design makes it very compact to carry. It can be used collapsed or extended.
- Can be interchanged between the hinge breaker or the optional "break and rake tip".
- CQB tactical breaching multi-tool also available for use in restricted confines or as a secondary team tool.
- Replacement parts available on request:
- Hammer head: #580-048 - Hammer fork: #580-026

SPECIFICATIONS

CQB Part#: 580-A009

Dimensions:
9" x 2.5" x 16.24" | 22.86 x 6.35 x 41.27 cm **Extended:** 22.24" | 56.51 cm

Weight (±): 12.14 lb | 5507 grams

Material: Alloy steel and aluminum

SPECIFICATIONS

TBH Part#: 580-A005 (NSN#: 5120-20-008-4801)

Dimensions:
9" x 2.5" x 23" | 22.86 x 6.35 x 58.42 cm **Extended:** 33.12" | 84.13 cm

Weight (±): 16.83 lb | 7636 grams

Material: Alloy steel and aluminum

CQB



Extended CQB

TBH



Extended TBH

Contact Cadex prior to purchase for more information on recommended use

Optional "Break & Rake" tip
(Part#: 580-A001)



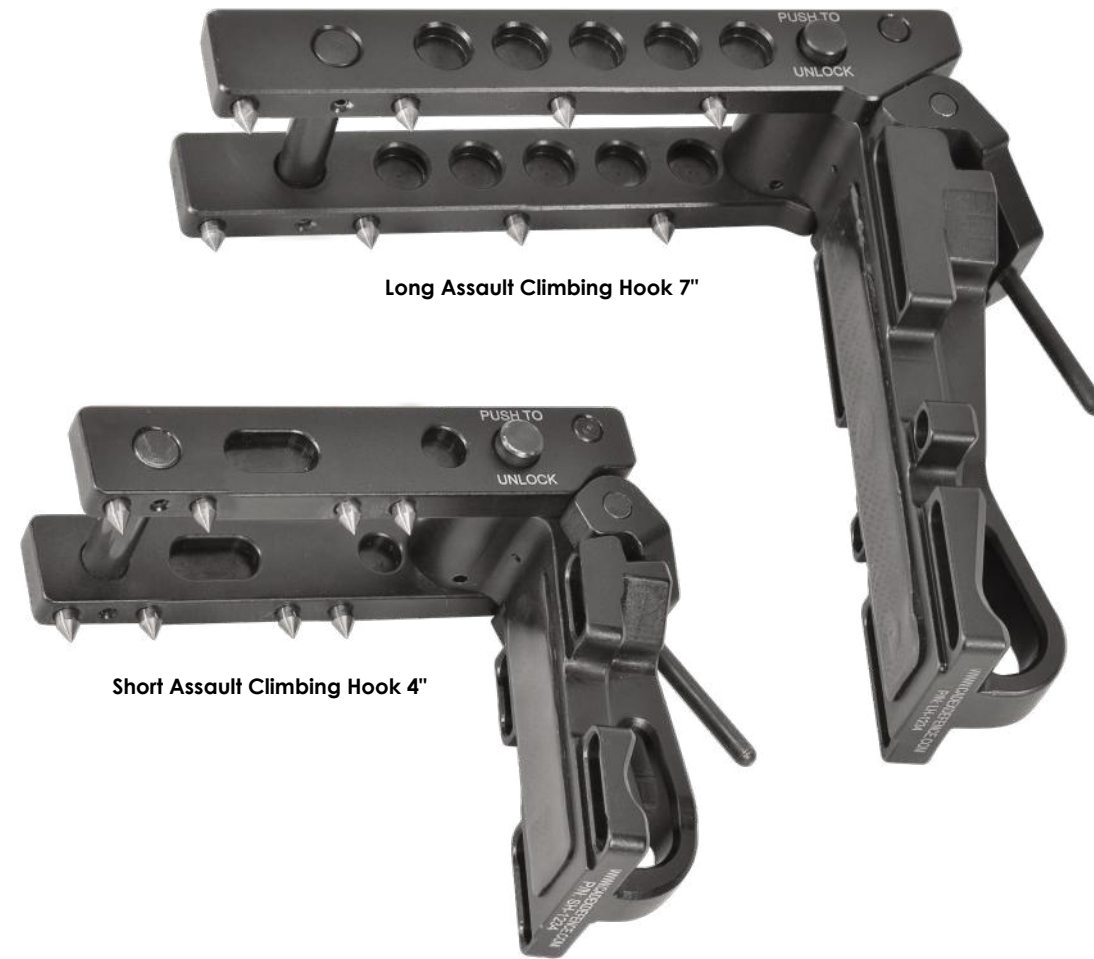
(NSN#: 5120-20-008-4805)



Sling and QD sling mount
included



CLIMBING HOOKS 4" & 7"



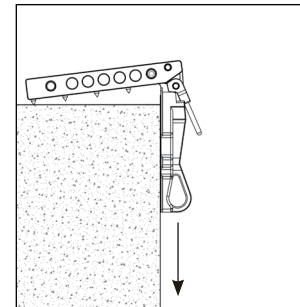
Long Assault Climbing Hook 7"

Short Assault Climbing Hook 4"

The Cadex Short (4") and Long (7") Assault Climbing Hook (SACH) provide the entry teams with an extremely versatile tool for vertical methods of entry in scenarios where it is not practical to use the larger Cadex Extra Long Assault Climbing Hook.

FEATURES:

- Designed for use with an extension pole system to securely fix assault ladders in place on the wide variety of surfaces encountered during operations.
- Can be hand-emplaced.
- Carbide spikes ensure proper hook grip.
- Folds for easy transport and storage.



SPECIFICATIONS	Short Climbing Hook 4" - Part#: SH-1234 (NSN#: 5120-20-011-7359)
	Dimensions: 1.97" x 2.35" x 4.67" 5.02 x 5.97 x 11.87 cm
	Static hook capacity: 1300 lb 589 670 grams
	Weight (±): 0.78 lb 355 grams
	Material: Aeronautical Aluminum (Frame) Carbide (Spike)

SPECIFICATIONS	Long Climbing Hook 7" - Part#: LH-1234 (NSN#: 4240-20-009-4802)
	Dimensions: 2.03" x 2.35" x 6.9" 5.16 x 5.97 x 17.53 cm
	Static hook capacity: 1300 lb 589 670 grams
	Weight (±): 1.1 lb 497 grams
	Material: Aeronautical Aluminum (Frame) Carbide (Spike)

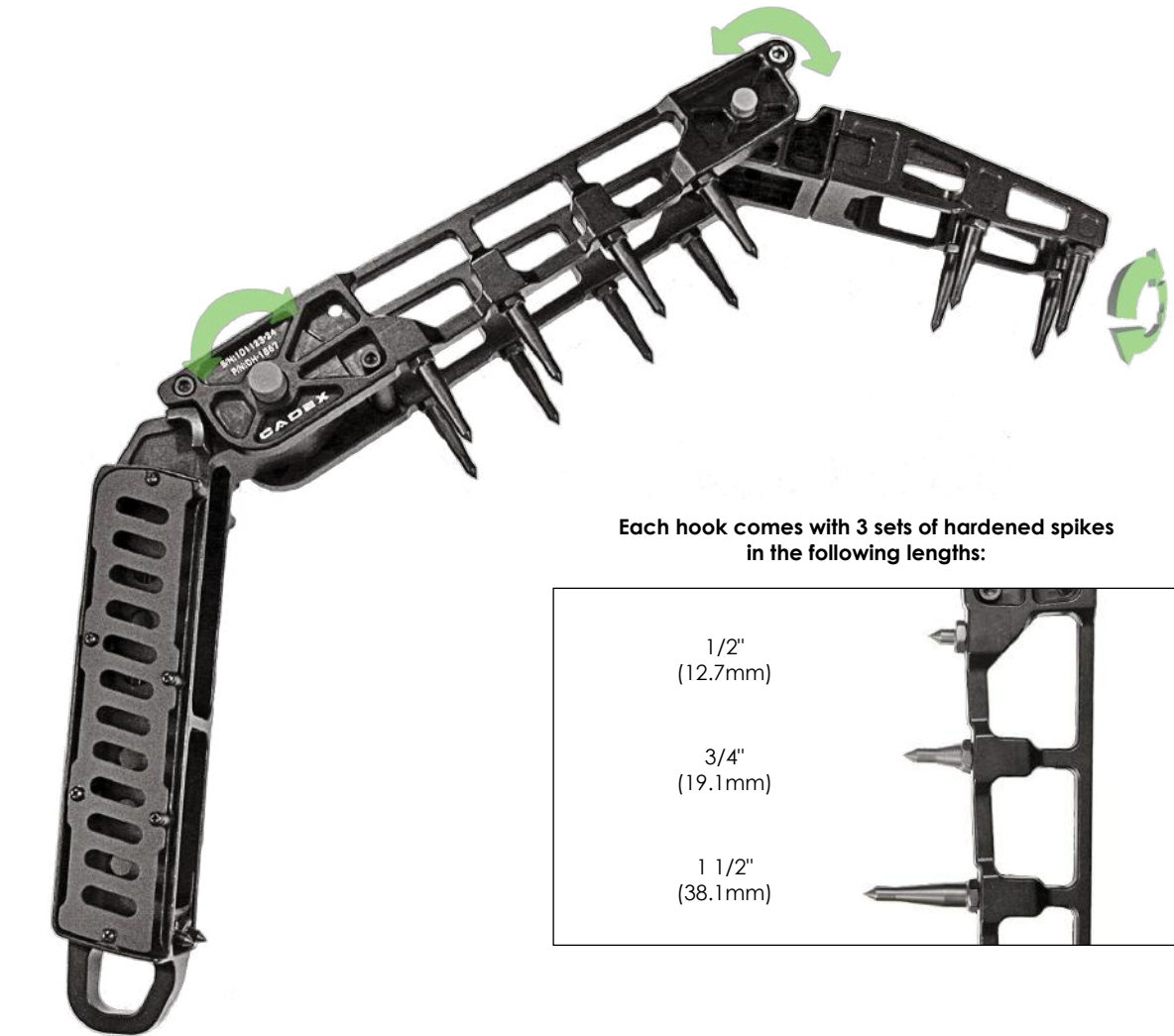


CLIMBING HOOKS 14"

The Cadex Extra Long Assault Climbing Hook provides the entry teams with a versatile tool for use with pole systems to securely position assault ladders on irregularly shaped or rounded surfaces. It opens to multiple angles to provide three surfaces, allowing the hook to grab the face, top and rear of differently shaped surfaces.

FEATURES:

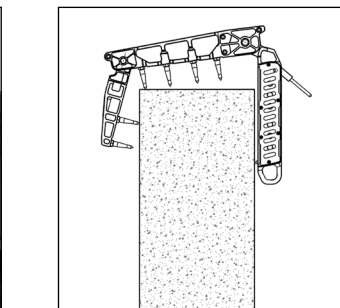
- Designed for use with an existing pole system to securely fix assault ladders in place on the wide variety of surfaces encountered during operations.
- Can be employed with or without carabiners.
- Can be hand-emplaced.
- The replaceable stainless steel spikes are extremely resistant to wear or breakage.
- Folds for easy transport and storage.
- Ideal for mud walls.



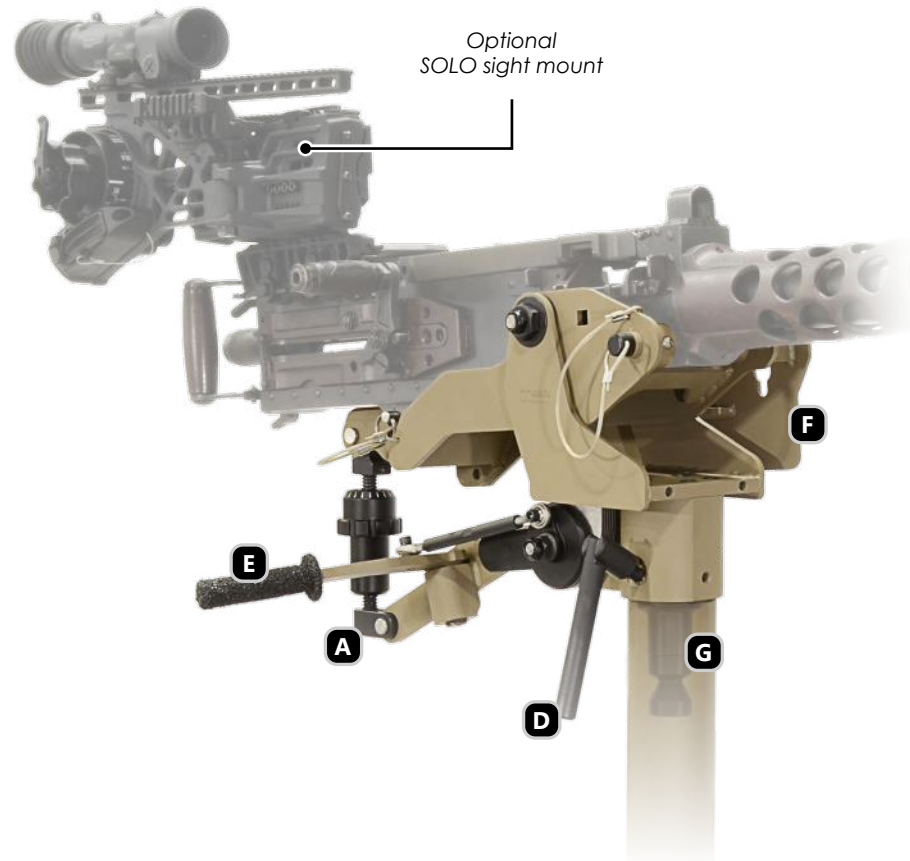
Each hook comes with 3 sets of hardened spikes in the following lengths:

1/2" (12.7mm)	
3/4" (19.1mm)	
1 1/2" (38.1mm)	

SPECIFICATIONS	Extra Long Climbing Hook 14" - Part#: DH-1867 (NSN#: 4240-20-009-4803)
	Dimensions: 3.45" x 3.35" x 10.74" 8.76 x 8.51 x 27.28 cm
	Static hook capacity: 1000 lb 453 592 grams
	Weight (±): 2.43 lb 1100 grams
	Material: 7075-T6 aluminum (Frame) Stainless Steel (Spike)



M2 CRADLE MOUNT

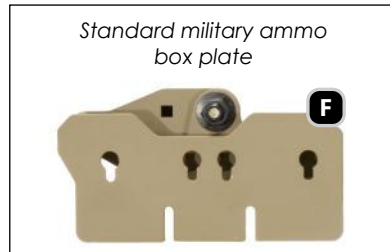


The Cadex M2 cradle mount has been developed to provide an easy-to-operate affordable mounting solution for the Browning M2.

- A** Micro adjustable elevation system with 1 mil increment per click.
- B** 2-point balanced mounting system. SOLO Optic enhancement package ready.
- C** Blackened stainless steel machine gun mounting pins.
- D** User-friendly threaded traverse locking mechanism.
- E** Responsive clutch locking elevation mechanism.
- F** Standard military ammo box plate.
- G** Standard M2 pintle adaptor.
- H** M240/M249 adaptor Kit.
- I** M249 ammo box adaptor plate.

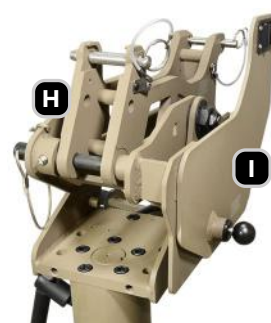
***Available on special request for grenade machine gun**

SPECIFICATIONS
M2 cradle mount
 Part#: 6987-A100
Dimensions:
 20" x 13.75" x 15" | 50.8 x 34.93 x 38.1 cm
Weight (±): 50.1 lb | 22 725 grams
Material: Steel / Cerakote paint



Ammo box holder
 Part#: 6987-A005

Mark 93 adaptor kit - M240/M249
 H-Part#: 6987-A016
 I-Part#: 6987-A015



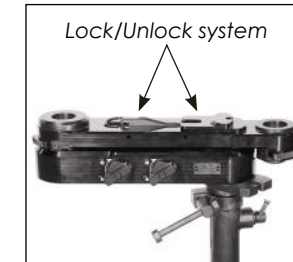
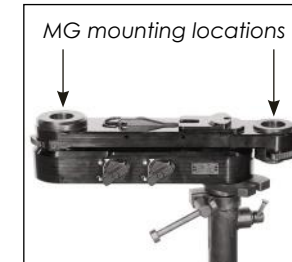
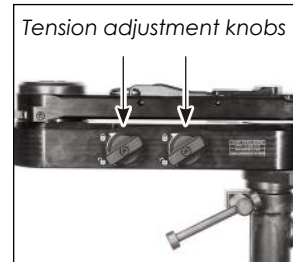
MG VEHICLE ARM

The Cadex MG vehicle arm attaches to the multi-position MG support using its ACMAT pintle. It allows the mounting of a machine gun at two different locations, either at the end of the arm or at its center section using the NATO pintle. A fast release system is used to lock/unlock the MG pintle instead of the traditional push pin. Two tension adjustment knobs are used to restrain free movement of the machine gun depending on its weight.

The MG vehicle arm is a low profile system that can deploy in a couple of seconds for fast target engagement and can fold rapidly for transport. This is the ultimate MG mount and no other arm offers as much adjustability.

SPECIFICATIONS
MG vehicle arm
 Part#: 5573-A120-K1
Dimensions: 15.25" x 5.68" x 8.84" | 38.74 x 14.43 x 22.45 cm
Weight (±): 18.2 lb | 8260 grams
Material: Steel / 6061-T6 aluminum

SPECIFICATIONS
Multi-position MG support
 Part#: 5573-A111-K1
Dimensions: 4.94" x 3.8" x 38.57" | 12.55 x 9.65 x 97.97 cm
Weight (±): 15.6 lb | 7070 grams
Material: Steel

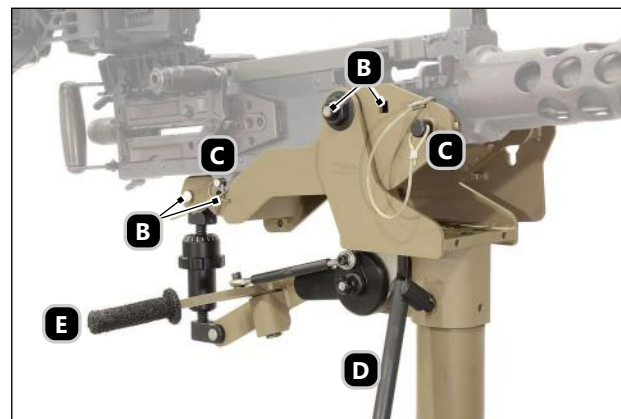
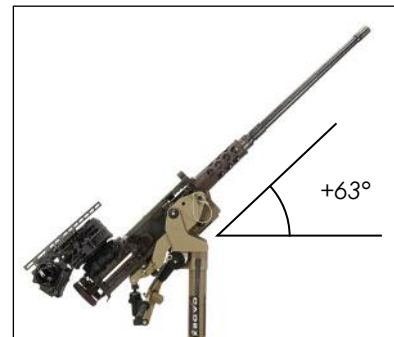
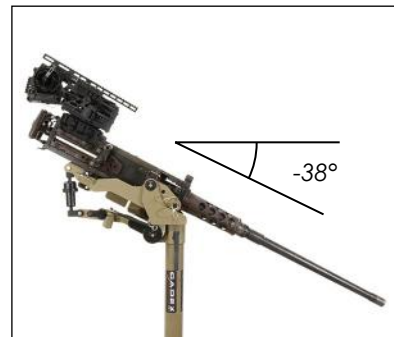


NOT AVAILABLE IN NORTH AMERICA

Cadex multi-position MG support allows the mounting of the machine gun vehicle arm to be adjusted rapidly to fit operator's ergonomics. Internal piston controls the rising speed of the machine gun. Allows 12" of adjustment with 1" increments. Features a locking knob and a tension lever.



MAXIMUM ELEVATION RANGE



SNIPER AERIAL PLATFORM

Sniper Quebec



Contrary to popular belief, shooting with accuracy from an aerial platform is not obscure science chalked up to luck, but rather actual, hard science.

The Cadex Sniper Aerial Platform provides a sniping solution composed of two distinct systems, which can greatly improve the hit rate on a target.

The first device is a PIVOTING GUN SUPPORT mounted on an existent aircraft attachment point allowing the shooter to rest his rifle and be able to move it around as he wishes.

The second device is an ADJUSTABLE CLIP-ON SCOPE RAIL capable of being adjusted "on the fly" based on the speed of the aircraft. By using this device, the shooter does not need to do some reticle hold-off since the firing solution (dope) is built-in the rail. The shooter can now engage the target with the scope reticle aimed at center mass without the need to compensate.

Point of aim, point of impact!

It is one thing to own the solution to every airborne sniper's problem, but it's another to master its use in the field. This is why Sniper Quebec Shooting School has spent years in the field developing and perfecting the expertise. Sniper Quebec can provide extensive training to law Enforcement Agencies looking for a key-in-hand solution. Contact Cadex Defence to get in contact with Mr. Mario Dutil.



For more information on those products,
please contact Cadex's LE Sales Representative

*Fits Bell 412 and Griffon CH-146 helicopters.
May fit other helicopters with 12-JAW fittings and track system.



CADEX RECREATIONAL PRODUCTS

Modifications & Upgrades



Cadex and BRP® (Bombardier Recreational Products) have developed a close relationship that allows Cadex to modify ATV and SSV Off Road Vehicles, Personal Watercrafts and Snowmachines. With robust and high-quality BRP® products at its core, Cadex can tailor to the needs of Military, Special Forces and LE professionals. Ready solutions include the installation of Infrared Lighting, complete light shut off, small arms and machine gun mounts, gun racks, GPS Navigation, backcountry tracks and much more!



GTI 130



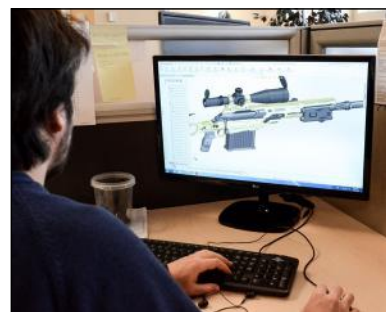
MAVERICK X3



OUTLANDER MAX XT 1000R



CADEX R&D SOLUTIONS



+ EXPERTISE

Cadex has worked with both conventional military and Special Forces, successfully delivering our products to a broad range of customers worldwide. Cadex works with its customers in a team approach to identify the mission requirements in order to meet their specific needs.

+ INNOVATION

Cadex's design and manufacturing team ensures the customer has access to leading edge technology.

+ DESIGN

When creating the design, Cadex's R&D department works seamlessly with the production department to ensure the manufactured item meets the customer's requirements no matter the complexity.

+ SOLUTION

Cadex's R&D department's initial design is quickly turned into a prototype for customer evaluation. Cadex can use its 3D printing, molding and machining capabilities to produce a broad range of prototypes.

+ MANUFACTURE

Cadex can call upon its in-house capabilities to produce a broad range of products. This includes weapon components, tactical breaching equipment, gun stocks, recoil management systems and precision mounts for electro-optic systems.

+ DELIVERY

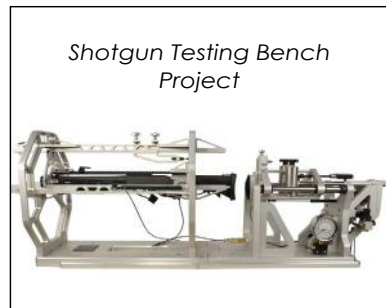
Cadex provides the edge needed when you need it most. Our equipment is in service worldwide.

+ SUPPORT

With Cadex every product comes complete with knowledgeable customer support. Our quick and efficient staff is known worldwide for its legendary quality of service as well as its uncompromising discretion.



Shotgun Testing Bench Project



CADEX ARMOR



CADEX Armor, a division of CADEX Inc., is a leading international specialist in the development, design and supply of defensive and inconspicuous armored security vehicles.

These special armored vehicles provide full "peace of mind" mobile protection for government officials, law enforcement personnel, security agencies, as well as private organizations and VIPs concerned about the violent threats of today's hostile urban environment.

Extreme care has been taken in the design and build of each of our armored vehicles to ensure that there is a perfect balance of complete ballistic and blast protection while maintaining a superior on/off road performance.

The Management team of CADEX Armor, consists of industry experts with decades of experience in the automotive and armoring industry. Our understanding of client safety needs and knowledge of new ballistic materials have helped us bring to market what we believe is a truly better and stronger built Armored Security Vehicle.

Mr. Kemal Gursoy
CADEX ARMOR Project Specialist

kemal@cadexinc.com

VISIT CADEXARMOR.COM FOR MORE INFORMATION



CEN B6+

Mercedes-Benz® Sprinter 3500 HD VIP



SPRINTER 3500 HEAVY DUTY CHASSIS
3.0 V6 DIESEL AUTOMATIC TRANSMISSION - EXTRA LONG WHEELBASE, HIGH ROOF



TV, DVD, MICROWAVE, COFFEE MACHINE



VIP 7 PASSENGER CONFIGURATION:
HEATED, VENTILATED, MASSAGE SEATS,
EXTRA REAR INDEPENDENT A/C UNIT.

HTA-1

Armored Personnel Carrier



SPECIAL ORDER PRODUCTS

Contact us for more information and specifications

POLE LADDER - Part#: 2213C



The Cadex pole ladder provides a secure rigid method of entry. A standard kit includes one hook, four pole sections and two half pole sections for over 25 feet of portable climbing power.

FEATURES:

- Modular design allows for custom kits suited to the needs of the mission.
- Pole tensile static load capacity is 2500 lb.
- Hook has 8 inches of clearance.
- Large anti-slip step with good finger clearance.
- Transport bag included.

(NSN#: 4240-20-006-7636)

Multiple spike lengths available

- 1/2" (12.7mm)
- 1" (25.4mm)
- 1 1/2" (38.1mm)



LADDER REEL - Part#: LR-995

The Cadex ladder reel gives the user the capability to rapidly deploy their cable-type assault ladder. Its small size allows the ladder to be stowed in a compact package for transport to the entry site and also provides the user with a quick recovery system for their ladders.

FEATURES:

- Provides the user tangle-free ladder deployment.
- Prevents cable ladders from becoming kinked, helping extend ladder life.
- Knurling on the handles provides an anti-slip holding surface for positive control when in use.
- Holds up to 15 meters of cable type ladders, such as the Yates® Special Ops ladder.

SPECIFICATIONS

Dimensions:
18.75" x 11.75" | 47.62 x 29.84 cm
Weight (±): 8.6 lb | 3900 grams
Material:
6061-T6 aluminum/Black Acetal Composite



GLASS PUNCH - Part#: 1185

The Cadex glass punch provides users with a rapid means of breaking glass under different tactical conditions. Installs on firearms equipped with Mil Std M1913 rails. The punch's length ensures it will protrude forward of the firearm muzzle.

FEATURES:

- Prevents the need to transition to a hand held punch and side-arm.
- Allows the operator to keep two hands on their firearm.
- Incorporates a spring-loaded hammer mechanism activated by pressing the punch against the glass.
- Perfect for short barrel carbines.

SPECIFICATIONS

Dimensions:
7.27" x 1.68" x 1.03"
18.48 x 4.27 x 2.62 cm
Weight (±):
0.36 lb | 165 grams
Material: 6061-T6 aluminum



AR10/AR15 RECEIVERS *NOT AVAILABLE IN USA*

Cadex's AR10 and AR15 lower receivers are manufactured to fit Armalite® & Noveske® upper receiver assemblies. They are precision machined from aeronautical grade 7075-T6 aluminum to provide the user with a high quality lower receiver for their AR10 (B series only) or AR15 rifle.

FEATURES:

- Interchangeable with high quality AR10 (B series only) or AR15 parts.
- The magazine well opening is extended with a large bevel that provides a guide for easier magazine insertion.
- Machined ribs at the front of the magazine well for a secure grip.
- Oversized trigger guard.



AR10 receiver (B series only)
Part#: 1570-003



AR15 receiver
Part#: 1570-001
(NSN#: 1005-20-008-8134)

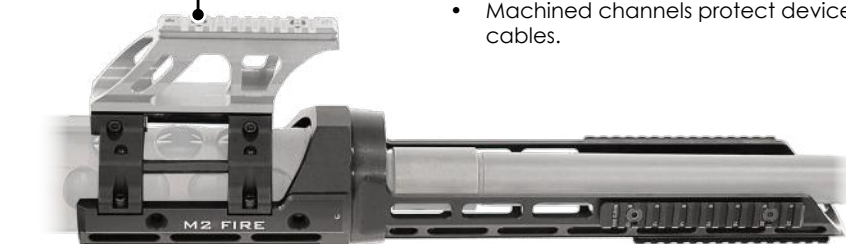
M2 FIRE - Part#: 1626-A001

Cadex's M2 Front Interface Rail Equipment (M2 FIRE) rail system increases the target acquisition and engagement capabilities of the M2 .50 caliber heavy barrel machine gun.

FEATURES:

- Clamps to the barrel support of the M2HB weapon.
- Provides three Picatinny rails at 3, 6 and 9 o'clock.
- Provides a solid mount for heavy weapon spotlights and aiming/illumination lasers.
- Does not affect normal function of the weapon, including barrel changes.
- Machined channels protect device cables.

Optional top rail - Part#: 1626-A002



37MM LAUNCHING CUP - Part#: 4340

Cadex 37mm launching cup is ideal for less lethal and crowd control situations. The launching cup is used in conjunction with a 37mm ballistic cartridge. The Cadex launching cup has a unique venting system which enables the operator to launch a hand deployed chemical grenade at graduated distances of 40, 60 and 100 m.

FEATURES:

- Allows for delivery of payload to extended ranges.
- May be used for denying access, cordons and channeling ops.
- A valuable tool to create distance and opportunity.

*Required thread pitch drawing available on request

SPECIFICATIONS

Dimensions:
2.61" x 1.42" | 6.63 x 3.6 cm
Weight (±): 1.44 lb | 652 grams
Material: 6061-T6 aluminum



HELMET BRACKETS

The Cadex side mounted helmet brackets provide the helmet wearer with a lightweight mounting platform for Mil Std M1913 equipped accessories such as illumination devices. They are designed to be low profile in order to prevent snagging during activities.

ACH side-mounted helmet bracket Part#: 1835-A010

- Mil Std M1913 style rail.
- Fits ACH style helmets.
- Left and right side assemblies.



Side-mounted helmet bracket Part#: 1835 (NSN#: 1005-20-007-3276)

- Mil Std M1913 style rail.
- Fits numerous military helmets.
- Can be fitted to any model of helmet upon request.



FALCON LITE (C20 SASW) - Part#: 7431-K102

The Falcon Lite bipod is the result of an extensive product development project for a military unit. Their snipers were in need of a light bipod, solid, stable and featuring both a panning and canting capability. At less than 400 grams, the Falcon Lite features a quick-detach (QD) Picatinny mount, a tensioning lever, telescopic aluminum tube legs and modular feet attachments. This bipod has a very wide footprint spread and some of the tightest machining tolerances on the market, making it the most stable lightweight bipod you'll find. The modular locking feet attachments are a must to adapt to any shooting surfaces.

QD Picatinny mount



Includes a fast dismantle adaptor capable of blocking the panning feature while maintaining the canting feature



CDX-SS PRO/COVERT & CDX-R7 CRBN/SPTR TABLE

REM 700 CLONE

MODEL	CALIBER	ACTION LENGTH	BOLT BODY TYPE	PRIMER TYPE	BOLT STYLE	TOP RAIL MOA	MAGAZINE TYPE	MAGAZINE CAPACITY	INCLUDED MAGAZINE	BARREL TYPE	BARREL LENGTH	TWIST RATE	RIFLING TYPE	THREAD PITCH	MUZZLE BRAKE	O.A.L.	O.A.L. FOLDED	APPROX. WEIGHT	PART NUMBERS
CDX-SS SEVEN S.T.A.R.S. PRO	223 Rem	SHORT	GROUP A (.385")	SRP/LRP	3 LUG, 60°	20	DSSF 3.055"	10	MDT-223	Bartlein	26"	1:8"	5R	5/8"-24	MX2-ST	± 45.5"	± 35.7"	11.8 lb	CDXSS-PRO-223-26
	6 BR Norma	SHORT	GROUP B (.480")	SRP/LRP	3 LUG, 60°	20	DSSF 3.055"	12	MDT-6MM	Bartlein	26"	1:7½"	5R	5/8"-24	MX2-ST	± 45.5"	± 35.7"	11.8 lb	CDXSS-PRO-6BR-26
	6 Dasher	SHORT	GROUP B (.480")	SRP/LRP	3 LUG, 60°	20	DSSF 3.055"	12	MDT-6MM	Bartlein	26"	1:7½"	5R	5/8"-24	MX2-ST	± 45.5"	± 35.7"	11.8 lb	CDXSS-PRO-6DA-26
	6 Creedmoor	SHORT	GROUP B (.480")	SRP/LRP	3 LUG, 60°	20	DSSF 3.055"	10	MAG100-0040	Bartlein	26"	1:7½"	5R	5/8"-24	MX2-ST	± 45.5"	± 35.7"	11.8 lb	CDXSS-PRO-6CM-26
	6.5x47 Lapua	SHORT	GROUP B (.480")	SRP/LRP	3 LUG, 60°	20	DSSF 3.055"	10	MAG100-0040	Bartlein	26"	1:8"	5R	5/8"-24	MX2-ST	± 45.5"	± 35.7"	11.8 lb	CDXSS-PRO-X47-26
	6.5 Creedmoor	SHORT	GROUP B (.480")	SRP/LRP	3 LUG, 60°	20	DSSF 3.055"	10	MAG100-0040	Bartlein	26"	1:8"	5R	5/8"-24	MX2-ST	± 45.5"	± 35.7"	11.8 lb	CDXSS-PRO-6.5-26
	308 Win	SHORT	GROUP B (.480")	SRP/LRP	3 LUG, 60°	20	DSSF 3.055"	10	MAG100-0040	Bartlein	26"	1:10"	5R	5/8"-24	MX2-ST	± 45.5"	± 35.7"	11.8 lb	CDXSS-PRO-308-26
CDX-SS SEVEN S.T.A.R.S. COVERT	223 Rem	SHORT	GROUP A (.385")	SRP/LRP	3 LUG, 60°	20	DSSF 3.055"	10	MDT-223	Bartlein	11"	1:8"	5R	5/8"-24	MX2-ST	± 33.8"	± 24.7"	9.1 lb	CDXSS-COV-223-11 (restricted)
	300 Blackout	SHORT	GROUP A (.385")	SRP/LRP	3 LUG, 60°	20	DSSF 3.055"	10	MDT-223	Bartlein	11"	1:8"	5R	5/8"-24	MX2-ST	± 33.8"	± 24.7"	9.1 lb	CDXSS-COV-3BK-11 (restricted)
	223 Rem	SHORT	GROUP A (.385")	SRP/LRP	3 LUG, 60°	20	DSSF 3.055"	10	MDT-223	Bartlein	16.5"	1:8"	5R	5/8"-24	MX2-ST	± 35.9"	± 26.8"	11.4 lb	CDXSS-COV-223-165
	300 Blackout	SHORT	GROUP A (.385")	SRP/LRP	3 LUG, 60°	20	DSSF 3.055"	10	MDT-223	Bartlein	16.5"	1:8"	5R	5/8"-24	MX2-ST	± 35.9"	± 26.8"	11.4 lb	CDXSS-COV-3BK-165
	6.5 Creedmoor	SHORT	GROUP B (.480")	SRP/LRP	3 LUG, 60°	20	DSSF 3.055"	10	MAG100-0040	Bartlein	16.5"	1:8"	5R	5/8"-24	MX2-ST	± 35.9"	± 26.8"	11.4 lb	CDXSS-COV-6.5-165
	308 Win	SHORT	GROUP B (.480")	SRP/LRP	3 LUG, 60°	20	DSSF 3.055"	10	MAG100-0040	Bartlein	16.5"	1:10"	5R	5/8"-24	MX2-ST	± 35.9"	± 26.8"	11.4 lb	CDXSS-COV-308-165
CDX-R7 CRBN	6.5 Creedmoor	SHORT	GROUP B (.480")	LRP	4 LUG, 50°	0 (20, 30)	DSSF 3.055"	5	MAG100-0041	Bartlein carbon fiber	24"	1:8"	5R	5/8"-24	HUNTING	± 45.3"	N/A	8.2 lb	CDXR7-CRBN-6.5-24
	6.5 PRC	SHORT	GROUP C (.550")	LRP	4 LUG, 50°	0 (20, 30)	DSSF 3.055"	3	MAG100-0006	Bartlein carbon fiber	24"	1:8"	5R	5/8"-24	HUNTING	± 45.3"	N/A	8.2 lb	CDXR7-CRBN-6PR-24
	308 Win	SHORT	GROUP B (.480")	LRP	4 LUG, 50°	0 (20, 30)	DSSF 3.055"	5	MAG100-0041	Bartlein carbon fiber	24"	1:10"	5R	5/8"-24	HUNTING	± 45.3"	N/A	8.2 lb	CDXR7-CRBN-308-24
	270 WSM	SHORT	GROUP C (.550")	LRP	4 LUG, 50°	0 (20, 30)	DSSF 3.055"	3	MAG100-0006	Bartlein carbon fiber	24"	1:9"	5R	5/8"-24	HUNTING	± 45.3"	N/A	8.2 lb	CDXR7-CRBN-OSM-24
	300 WSM	SHORT	GROUP C (.550")	LRP	4 LUG, 50°	0 (20, 30)	DSSF 3.055"	3	MAG100-0006	Bartlein carbon fiber	24"	1:10"	5R	5/8"-24	HUNTING	± 45.3"	N/A	8.2 lb	CDXR7-CRBN-3SM-24
	270 Win	LONG	GROUP B (.480")	LRP	4 LUG, 50°	0 (20, 30)	SSSF 3.715"	5	MAG100-0039	Bartlein carbon fiber	24"	1:9"	5R	5/8"-24	HUNTING	± 46.1"	N/A	8.1 lb	CDXR7-CRBN-270-24
	7 PRC	LONG	GROUP C (.550")	LRP	4 LUG, 50°	0 (20, 30)	SSSF 3.850" CIP	5	MDT-3PR	Bartlein carbon fiber	24"	1:8"	5R	5/8"-24	HUNTING	± 46.1"	N/A	8.1 lb	CDXR7-CRBN-7PR-24
	28 Nosler	LONG	GROUP C (.550")	LRP	4 LUG, 50°	0 (20, 30)	SSSF 3.850" CIP	5	MAG100-0023-CDX	Bartlein carbon fiber	26"	1:9" or (1:8")	5R	5/8"-24	HUNTING	± 48.1"	N/A	8.3 lb	CDXR7-CRBN-28N-26
	300 PRC	LONG	GROUP C (.550")	LRP	4 LUG, 50°	0 (20, 30)	SSSF 3.850" CIP	5	MAG100-0023-CDX	Bartlein carbon fiber	26"	1:8"	5R	5/8"-24	HUNTING	± 48.1"	N/A	8.3 lb	CDXR7-CRBN-3PR-26
	300 RUM	LONG	GROUP C (.550")	LRP	4 LUG, 50°	0 (20, 30)	SSSF 3.850" CIP	5	MAG100-0043	Bartlein carbon fiber	26"	1:8"	5R	5/8"-24	HUNTING	± 48.1"	N/A	8.3 lb	CDXR7-CRBN-RUM-26
338 Lapua Mag	LONG	GROUP D (.600")	LRP	4 LUG, 50°	0 (20, 30)	SSSF 3.850" CIP	5	MAG100-0022	Bartlein carbon fiber	26"	1:9½"	5R	5/8"-24	HUNTING	± 48.1"	N/A	8.3 lb	CDXR7-CRBN-338-26	
CDX-R7 SPTR	6.5 Creedmoor	SHORT	GROUP B (.480")	LRP	4 LUG, 50°	0 (20, 30)	DSSF 3.055"	5	MAG100-0041	Cadex	24"	1:8"	5R	5/8"-24	HUNTING	± 45.3"	N/A	8.2 lb	CDXR7-SPTR-6.5-24
	6.5 PRC	SHORT	GROUP C (.550")	LRP	4 LUG, 50°	0 (20, 30)	DSSF 3.055"	3	MAG100-0006	Cadex	24"	1:8"	5R	5/8"-24	HUNTING	± 45.3"	N/A	8.2 lb	CDXR7-SPTR-6PR-24
	308 Win	SHORT	GROUP B (.480")	LRP	4 LUG, 50°	0 (20, 30)	DSSF 3.055"	5	MAG100-0041	Cadex	20"	1:10"	5R	5/8"-24	HUNTING	± 45.3"	N/A	7.8 lb	CDXR7-SPTR-308-20 (compact)
	308 Win	SHORT	GROUP B (.480")	LRP	4 LUG, 50°	0 (20, 30)	DSSF 3.055"	5	MAG100-0041	Cadex	24"	1:10"	5R	5/8"-24	HUNTING	± 45.3"	N/A	8.2 lb	CDXR7-SPTR-308-24
	270 WSM	SHORT	GROUP C (.550")	LRP	4 LUG, 50°	0 (20, 30)	DSSF 3.055"	3	MAG100-0006	Bartlein only	24"	1:9"	5R	5/8"-24	HUNTING	± 45.3"	N/A	8.2 lb	CDXR7-SPTR-OSM-24
	300 WSM	SHORT	GROUP C (.550")	LRP	4 LUG, 50°	0 (20, 30)	DSSF 3.055"	3	MAG100-0006	Cadex	24"	1:10"	5R	5/8"-24	HUNTING	± 45.3"	N/A	8.2 lb	CDXR7-SPTR-3SM-24
	270 Win	LONG	GROUP B (.480")	LRP	4 LUG, 50°	0 (20, 30)	SSSF 3.715"	5	MAG100-0039	Bartlein only	24"	1:9"	5R	5/8"-24	HUNTING	± 46.1"	N/A	8.3 lb	CDXR7-SPTR-270-24
	7 PRC	LONG	GROUP C (.550")	LRP	4 LUG, 50°	0 (20, 30)	SSSF 3.850" CIP	5	MDT-3PR	Bartlein only	24"	1:8"	5R	5/8"-24	HUNTING	± 46.1"	N/A	8.3 lb	CDXR7-SPTR-7PR-24
	30-06 SPRG	LONG	GROUP B (.480")	LRP	4 LUG, 50°	0 (20, 30)	SSSF 3.715"	5	MAG100-0039	Cadex	24"	1:10"	5R	5/8"-24	HUNTING	± 46.1"	N/A	8.3 lb	CDXR7-SPTR-006-24
	28 Nosler	LONG	GROUP C (.550")	LRP	4 LUG, 50°	0 (20, 30)	SSSF 3.850" CIP	5	MAG100-0023-CDX	Bartlein only	26"	1:9" or (1:8")	5R	5/8"-24	HUNTING	± 48.1"	N/A	8.5 lb	CDXR7-SPTR-28N-26
300 PRC	LONG	GROUP C (.550")	LRP	4 LUG, 50°	0 (20, 30)	SSSF 3.850" CIP	5	MAG100-0023-CDX	Bartlein only	26"	1:8"	5R	5/8"-24	HUNTING	± 48.1"	N/A	8.5 lb	CDXR7-SPTR-3PR-26	
300 RUM	LONG	GROUP C (.550")	LRP	4 LUG, 50°	0 (20, 30)	SSSF 3.850" CIP	5	MAG100-0043	Bartlein only	26"	1:8"	5R	5/8"-24	HUNTING	± 48.1"	N/A	8.5 lb	CDXR7-SPTR-RUM-26	
338 Lapua Mag	LONG	GROUP D (.600")	LRP	4 LUG, 50°	0 (20, 30)	SSSF 3.850" CIP	5	MAG100-0022	Cadex	26"	1:9½"	5R	5/8"-24	HUNTING	± 48.1"	N/A	8.5 lb	CDXR7-SPTR-338-26	

*Items in red are available on special request. **Dimensions do not include the muzzle brake.

DISCLAIMER: Too many components are involved to accurately predict the final weight of a rifle. It is impossible to confirm the weight of all our rifle models because it varies depending on each caliber.

CDX-R7 SHP/LCP/FCP TABLE

REM 700 CLONE

MODEL	CALIBER	ACTION LENGTH	BOLT BODY TYPE	PRIMER TYPE	BOLT STYLE	TOP RAIL MOA	MAGAZINE TYPE	MAGAZINE CAPACITY	INCLUDED MAGAZINE	BARREL TYPE	BARREL LENGTH	TWIST RATE	RIFLING TYPE	THREAD PITCH	MUZZLE BRAKE	O.A.L.	O.A.L. FOLDED	APPROX. WEIGHT	PART NUMBERS
CDX-R7 SHP	6 Creedmoor	SHORT	GROUP B (.480")	LRP	4 LUG, 50°	20 (0, 30)	DSSF 3.055"	10	MAG100-0040	Bartlein	26"	1:7½"	5R	5/8"-24	MX2-ST	± 45.9"	N/A	13.0 lb	CDXR7-SDOG-6CM-26
	6.5 Creedmoor	SHORT	GROUP B (.480")	LRP	4 LUG, 50°	20 (0, 30)	DSSF 3.055"	10	MAG100-0040	Cadex	16.5"	1:8"	5R	5/8"-24	MX2-ST	± 36.4"	N/A	13.0 lb	CDXR7-SDOG-6.5-165
	6.5 Creedmoor	SHORT	GROUP B (.480")	LRP	4 LUG, 50°	20 (0, 30)	DSSF 3.055"	10	MAG100-0040	Cadex	20"	1:8"	5R	5/8"-24	MX2-ST	± 39.9"	N/A	11.7 lb	CDXR7-SDOG-6.5-20
	6.5 Creedmoor	SHORT	GROUP B (.480")	LRP	4 LUG, 50°	20 (0, 30)	DSSF 3.055"	10	MAG100-0040	Cadex	24"	1:8"	5R	5/8"-24	MX2-ST	± 43.9"	N/A	13.0 lb	CDXR7-SDOG-6.5-24
	6.5 Creedmoor	SHORT	GROUP B (.480")	LRP	4 LUG, 50°	20 (0, 30)	DSSF 3.055"	10	MAG100-0040	Cadex	26"	1:8"	5R	5/8"-24	MX2-ST	± 45.9"	N/A	13.0 lb	CDXR7-SDOG-6.5-26
	6.5 PRC	SHORT	GROUP C (.550")	LRP	4 LUG, 50°	20 (0, 30)	DSSF 3.055"	7	MAG100-0008	Cadex	24"	1:8"	5R	5/8"-24	MX2-ST	± 43.9"	N/A	13.0 lb	CDXR7-SDOG-6PR-24
	6.5 PRC	SHORT	GROUP C (.550")	LRP	4 LUG, 50°	20 (0, 30)	DSSF 3.055"	7	MAG100-0008	Cadex	26"	1:8"	5R	5/8"-24	MX2-ST	± 45.9"	N/A	13.0 lb	CDXR7-SDOG-6PR-26
	308 Win	SHORT	GROUP B (.480")	LRP	4 LUG, 50°	20 (0, 30)	DSSF 3.055"	10	MAG100-0040	Cadex	16.5"	1:10"	5R	5/8"-24	MX2-ST	± 36.4"	N/A	11.2 lb	CDXR7-SDOG-308-165
	308 Win	SHORT	GROUP B (.480")	LRP	4 LUG, 50°	20 (0, 30)	DSSF 3.055"	10	MAG100-0040	Cadex	20"	1:11¼" or (1:10")	5R	5/8"-24	MX2-ST	± 39.9"	N/A	11.7 lb	CDXR7-SDOG-308-20
	308 Win	SHORT	GROUP B (.480")	LRP	4 LUG, 50°	20 (0, 30)	DSSF 3.055"	10	MAG100-0040	Cadex	24"	1:11¼" or (1:10")	5R	5/8"-24	MX2-ST	± 43.9"	N/A	13.0 lb	CDXR7-SDOG-308-24
	308 Win	SHORT	GROUP B (.480")	LRP	4 LUG, 50°	20 (0, 30)	DSSF 3.055"	10	MAG100-0040	Cadex	26"	1:11¼" or (1:10")	5R	5/8"-24	MX2-ST	± 45.9"	N/A	13.0 lb	CDXR7-SDOG-308-26
	300 WSM	SHORT	GROUP C (.550")	LRP	4 LUG, 50°	20 (0, 30)	DSSF 3.055"	7	MAG100-0008	Cadex	24"	1:10	5R	5/8"-24	MX2-ST	± 43.9"	N/A	13.0 lb	CDXR7-SDOG-3SM-24
	7 PRC	LONG	GROUP C (.550")	LRP	4 LUG, 50°	30 (0, 20)	SSSF 3.850" CIP	5	MDT-3PR	Bartlein	26"	1:8"	5R	5/8"-24	MX2-ST	± 46.5"	N/A	13.5 lb	CDXR7-SHPD-7PR-26
	300 PRC	LONG	GROUP C (.550")	LRP	4 LUG, 50°	30 (0, 20)	SSSF 3.850" CIP	5	MAG100-0023-CDX	Bartlein	26"	1:8"	5R	5/8"-24	MX2-ST	± 46.5"	N/A	13.5 lb	CDXR7-SHPD-3PR-26
	300 Norma Mag	LONG	GROUP D (.600")	LRP	4 LUG, 50°	30 (0, 20)	SSSF 3.850" CIP	5	MAG100-0022	Bartlein	26"	1:8"	5R	5/8"-24	MX2-ST	± 46.5"	N/A	13.5 lb	CDXR7-SHPD-3NM-26
	338 Lapua Mag	LONG	GROUP D (.600")	LRP	4 LUG, 50°	30 (0, 20)	SSSF 3.850" CIP	5	MAG100-0022	Cadex	27"	1:9½"	5R	3/4"-24	MX2-ST	± 47.5"	N/A	13.5 lb	CDXR7-SHPD-338-27
CDX-R7 LCP	6 Creedmoor	SHORT	GROUP B (.480")	LRP	4 LUG, 50°	20 (0, 30)	DSSF 3.055"	10	MAG100-0040	Bartlein	26"	1:7½"	5R	5					

CDX-30/300/33, CDX-40 & CDX-50 TABLE

MODEL	CALIBER	ACTION LENGTH	BOLT BODY TYPE	PRIMER TYPE	BOLT STYLE	TOP RAIL MOA	MAGAZINE TYPE	MAGAZINE CAPACITY	INCLUDED MAGAZINE	BARREL TYPE	BARREL LENGTH	TWIST RATE	RIFLING TYPE	THREAD PITCH	MUZZLE BRAKE	O.A.L.	O.A.L. FOLDED	APPROX. WEIGHT	PART NUMBERS
CDX-30 LITE	6 Creedmoor	LONG	GROUP B (.480")	LRP	3 LUG, 60°	20 (30, 45)	DSSF 3.055"	10	MAG100-0040	Bartlein	26"	1:7½"	5R	5/8"-24	MX1	± 45.8"	± 37.4"	14.3 lb	CDX30-LITE-6CM-26
	6.5 Creedmoor	LONG	GROUP B (.480")	LRP	3 LUG, 60°	20 (30, 45)	DSSF 3.055"	10	MAG100-0040	Bartlein	24"	1:8"	5R	5/8"-24	MX1	± 43.8"	± 35.4"	14.3 lb	CDX30-LITE-6.5-24
	6.5 Creedmoor	LONG	GROUP B (.480")	LRP	3 LUG, 60°	20 (30, 45)	DSSF 3.055"	10	MAG100-0040	Bartlein	26"	1:8"	5R	5/8"-24	MX1	± 45.8"	± 37.4"	14.3 lb	CDX30-LITE-6.5-26
	6.5 PRC	LONG	GROUP C (.550")	LRP	3 LUG, 60°	20 (30, 45)	DSSF 3.055"	7	MAG100-0008	Bartlein	24"	1:8"	5R	5/8"-24	MX1	± 43.8"	± 35.4"	14.3 lb	CDX30-LITE-6PR-24
	6.5 PRC	LONG	GROUP C (.550")	LRP	3 LUG, 60°	20 (30, 45)	DSSF 3.055"	7	MAG100-0008	Bartlein	26"	1:8"	5R	5/8"-24	MX1	± 45.8"	± 37.4"	14.3 lb	CDX30-LITE-6PR-26
	308 Win	LONG	GROUP B (.480")	LRP	3 LUG, 60°	20 (30, 45)	DSSF 3.055"	10	MAG100-0040	Bartlein	20"	1:11¼" or (1:10")	5R	5/8"-24	MX1	± 39.8"	± 31.4"	13.8 lb	CDX30-LITE-308-20
	308 Win	LONG	GROUP B (.480")	LRP	3 LUG, 60°	20 (30, 45)	DSSF 3.055"	10	MAG100-0040	Bartlein	24"	1:11¼" or (1:10")	5R	5/8"-24	MX1	± 43.8"	± 35.4"	14.3 lb	CDX30-LITE-308-24
308 Win	LONG	GROUP B (.480")	LRP	3 LUG, 60°	20 (30, 45)	DSSF 3.055"	10	MAG100-0040	Bartlein	26"	1:11¼" or (1:10")	5R	5/8"-24	MX1	± 45.8"	± 37.4"	14.3 lb	CDX30-LITE-308-26	
CDX-300 LITE	300 PRC	LONG	GROUP C (.550")	LRP	3 LUG, 60°	30 (20, 45)	SSSF 3.850" CIP	5	MAG100-0023-CDX	Bartlein	26"	1:8"	5R	5/8"-24	MX1	± 45.8"	± 37.4"	14.3 lb	CDX300-LITE-3PR-26
	300 RUM	LONG	GROUP C (.550")	LRP	3 LUG, 60°	30 (20, 45)	SSSF 3.850" CIP	5	MAG100-0043	Bartlein	26"	1:8"	5R	5/8"-24	MX1	± 45.8"	± 37.4"	14.3 lb	CDX300-LITE-RUM-26
CDX-33 LITE	300 Norma Mag	LONG	GROUP D (.600")	LRP	3 LUG, 60°	30 (20, 45)	SSSF 3.850" CIP	5	MAG100-0022	Bartlein	26"	1:8"	5R	5/8"-24	MX1	± 45.8"	± 37.4"	14.3 lb	CDX33-LITE-3NM-26
	338 Lapua Mag	LONG	GROUP D (.600")	LRP	3 LUG, 60°	30 (20, 45)	SSSF 3.850" CIP	5	MAG100-0022	Bartlein	27"	1:9½"	5R	3/4"-24	MX1	± 46.8"	± 38.4"	14.3 lb	CDX33-LITE-338-27
CDX-30 TAC	6 Creedmoor	LONG	GROUP B (.480")	LRP	3 LUG, 60°	20 (30, 45)	DSSF 3.055"	10	MAG100-0040	Bartlein	26"	1:7½"	5R	5/8"-24	MX1	± 45.9"	N/A	13.1 lb	CDX30-TAC-6CM-26
	6.5 Creedmoor	LONG	GROUP B (.480")	LRP	3 LUG, 60°	20 (30, 45)	DSSF 3.055"	10	MAG100-0040	Bartlein	24"	1:8"	5R	5/8"-24	MX1	± 43.9"	N/A	13.1 lb	CDX30-TAC-6.5-24
	6.5 Creedmoor	LONG	GROUP B (.480")	LRP	3 LUG, 60°	20 (30, 45)	DSSF 3.055"	10	MAG100-0040	Bartlein	26"	1:8"	5R	5/8"-24	MX1	± 45.9"	N/A	13.1 lb	CDX30-TAC-6.5-26
	6.5 PRC	LONG	GROUP C (.550")	LRP	3 LUG, 60°	20 (30, 45)	DSSF 3.055"	7	MAG100-0008	Bartlein	24"	1:8"	5R	5/8"-24	MX1	± 43.9"	N/A	13.1 lb	CDX30-TAC-6PR-24
	6.5 PRC	LONG	GROUP C (.550")	LRP	3 LUG, 60°	20 (30, 45)	DSSF 3.055"	7	MAG100-0008	Bartlein	26"	1:8"	5R	5/8"-24	MX1	± 45.9"	N/A	13.1 lb	CDX30-TAC-6PR-26
	308 Win	LONG	GROUP B (.480")	LRP	3 LUG, 60°	20 (30, 45)	DSSF 3.055"	10	MAG100-0040	Bartlein	20"	1:11¼" or (1:10")	5R	5/8"-24	MX1	± 39.9"	N/A	12.0 lb	CDX30-TAC-308-20
	308 Win	LONG	GROUP B (.480")	LRP	3 LUG, 60°	20 (30, 45)	DSSF 3.055"	10	MAG100-0040	Bartlein	24"	1:11¼" or (1:10")	5R	5/8"-24	MX1	± 43.9"	N/A	13.1 lb	CDX30-TAC-308-24
308 Win	LONG	GROUP B (.480")	LRP	3 LUG, 60°	20 (30, 45)	DSSF 3.055"	10	MAG100-0040	Bartlein	26"	1:11¼" or (1:10")	5R	5/8"-24	MX1	± 45.9"	N/A	13.1 lb	CDX30-TAC-308-26	
CDX-300 TAC	300 PRC	LONG	GROUP C (.550")	LRP	3 LUG, 60°	30 (20, 45)	SSSF 3.850" CIP	5	MAG100-0023-CDX	Bartlein	26"	1:8"	5R	5/8"-24	MX1	± 45.9"	N/A	13.1 lb	CDX300-TAC-3PR-26
	300 RUM	LONG	GROUP C (.550")	LRP	3 LUG, 60°	30 (20, 45)	SSSF 3.850" CIP	5	MAG100-0043	Bartlein	26"	1:8"	5R	5/8"-24	MX1	± 45.9"	N/A	13.1 lb	CDX300-TAC-RUM-26
CDX-33 TAC	300 Norma Mag	LONG	GROUP D (.600")	LRP	3 LUG, 60°	30 (20, 45)	SSSF 3.850" CIP	5	MAG100-0022	Bartlein	26"	1:8"	5R	5/8"-24	MX1	± 45.9"	N/A	13.1 lb	CDX33-TAC-3NM-26
	338 Lapua Mag	LONG	GROUP D (.600")	LRP	3 LUG, 60°	30 (20, 45)	SSSF 3.850" CIP	5	MAG100-0022	Bartlein	27"	1:9½"	5R	3/4"-24	MX1	± 46.9"	N/A	13.1 lb	CDX33-TAC-338-27
CDX-40 SHDW	375 EnABELR	XL	GROUP E (.670")	LRP	3 LUG, 60°	40 (20, 60)	No sleeve	7	MAG4309	Bartlein	32"	1:7"	5R	7/8"-24	MX1	± 52.8"	± 44.4"	19.9 lb	CDX40-DUAL-75E-32
	375 EnABELR	XL	GROUP E (.670")	LRP	3 LUG, 60°	40 (20, 60)	No sleeve	7	MAG4309	Bartlein	36"	1:7"	5R	7/8"-24	MX1	± 56.8"	± 48.4"	19.9 lb	CDX40-DUAL-75E-36
	375 CT	XL	GROUP E (.670")	LRP	3 LUG, 60°	40 (20, 60)	No sleeve	7	MAG4300	Bartlein	29"	1:10" (Military)	5R	7/8"-24	MX1	± 49.8"	± 41.4"	19.4 lb	CDX40-DUAL-375-29
	375 CT	XL	GROUP E (.670")	LRP	3 LUG, 60°	40 (20, 60)	No sleeve	7	MAG4300	Bartlein	32"	1:7" or (1:10")	5R	7/8"-24	MX1	± 52.8"	± 44.4"	19.9 lb	CDX40-DUAL-375-32
	375 CT	XL	GROUP E (.670")	LRP	3 LUG, 60°	40 (20, 60)	No sleeve	7	MAG4300	Bartlein	36"	1:7"	5R	7/8"-24	MX1	± 56.8"	± 48.4"	19.9 lb	CDX40-DUAL-375-36
	408 CT	XL	GROUP E (.670")	LRP	3 LUG, 60°	40 (20, 60)	No sleeve	7	MAG4300	Bartlein	29"	1:12"	8	7/8"-24	MX1	± 49.8"	± 41.4"	19.4 lb	CDX40-DUAL-408-29
	408 CT	XL	GROUP E (.670")	LRP	3 LUG, 60°	40 (20, 60)	No sleeve	7	MAG4300	Bartlein	32"	1:12"	8	7/8"-24	MX1	± 52.8"	± 44.4"	19.9 lb	CDX40-DUAL-408-32
CDX-40SS SHDW	375 EnABELR	XL	GROUP E (.670")	LRP	3 LUG, 60°	60	Single Shot	0	N/A	Bartlein	36"	1:7"	5R	7/8"-24	MX1	± 56.8"	± 48.4"	23.8 lb	CDX40SS-DUAL-75E-36
	375 CT	XL	GROUP E (.670")	LRP	3 LUG, 60°	60	Single Shot	0	N/A	Bartlein	36"	1:7"	5R	7/8"-24	MX1	± 56.8"	± 48.4"	23.8 lb	CDX40SS-DUAL-375-36
CDX-50 TREMOR®	416 Barrett®	XL	GROUP F (.825")	50 BMG	4 LUG, 50°	40 (20, 60)	No sleeve	5	MAG0416	Bartlein	32"	1:9"	5R	1"-14 UNF	MX1	± 54.5"	± 45.4"	24.7 lb	CDX50-DUAL-416-32
	50 BMG	XL	GROUP F (.825")	50 BMG	4 LUG, 50°	20 (40, 60)	No sleeve	5	MAG2949	Bartlein	20.6"	1:15"	8	1"-14 UNF	MX1	± 43.1"	± 34.0"	21.9 lb	CDX50-DUAL-50-206
	50 BMG	XL	GROUP F (.825")	50 BMG	4 LUG, 50°	40 (20, 60)	No sleeve	5	MAG2949	Bartlein	29"	1:15"	8	1"-14 UNF	MX1	± 51.5"	± 42.4"	23.9 lb	CDX50-DUAL-50-29
	50 BMG	XL	GROUP F (.825")	50 BMG	4 LUG, 50°	40 (20, 60)	No sleeve	5	MAG2949	Bartlein	32"	1:15"	8	1"-14 UNF	MX1	± 54.5"	± 45.4"	24.7 lb	CDX50-DUAL-50-32
CDX-50SS TREMOR®	416 Barrett®	XL	GROUP F (.825")	50 BMG	4 LUG, 50°	60	Single Shot	0	N/A	Bartlein	40"	1:9"	5R	1"-14 UNF	MX1	± 62.5"	± 53.4"	30.0 lb	CDX50SS-DUAL-416-40

*Items in red are available on special request. **Dimensions do not include the muzzle brake.

DISCLAIMER: Too many components are involved to accurately predict the final weight of a rifle. It is impossible to confirm the weight of all our rifle models because it varies depending on each caliber.

KRAKEN® CONFIGURATOR

STEP 1

Choose main caliber (refer to table below).

Each complete rifle comes with **one magazine, one muzzle brake and one sniper drag bag.**

**Except military contracts.*


STEP 2


If you want to add any additional caliber(s) you will require:

 **Tooling kit:** Only need one per rifle.

 **Barrel(s):** Choose your secondary caliber(s) from the table below.

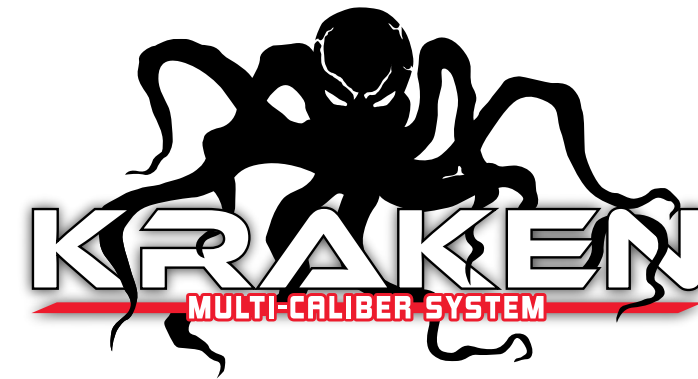
 **Bolt body(ies):** Select group B, C or D. Only need one per caliber group.

 **Conversion kit(s):** Select group B (DSSF 3.055"), group C (SSSF 3.715"), group C (SSSF 3.850 CIP) or group D (DSSF 3.850" CIP). Only need one per caliber group.

 **Magazine(s):** Not needed if both calibers reuse the same magazine type. Refer to P. 65.

**All calibers reuse the same interchangeable firing pin. You may want an additional firing pin, if you prefer not to swap them from one bolt body to another.*

**Even if you do not plan on purchasing a new caliber right away, we still recommend that you purchase the Kraken® Tool Kit to remove your barrel for an easier cleaning process.*



STEP 3

Complete your kit with popular accessories such as:

- Extra muzzle brake
- ARCA Elite System (AES)
- Hard case with cut-out foam
- Rifle sling
- Falcon bipod
- Scope mount
- Suppressor
- Extra firing pin

Please refer to P. 22 for many more optional items.

MODEL	CALIBER	ACTION LENGTH	BOLT BODY TYPE	PRIMER TYPE	BOLT STYLE	TOP RAIL MOA	MAGAZINE TYPE	MAGAZINE CAPACITY	INCLUDED MAGAZINE	BARREL TYPE	BARREL LENGTH	TWIST RATE	RIFLING TYPE	THREAD PITCH	MUZZLE BRAKE	O.A.L.	O.A.L. FOLDED	APPROX. WEIGHT	PART NUMBERS
CDX-MC KRAKEN®	6 Creedmoor	LONG	GROUP B (.480")	LRP	3 LUG, 60°	20 (30, 45)	DSSF 3.055"	10	MAG100-0040	Bartlein	26"	1:7½"	5R	5/8"-24	MX1	± 46.0"	± 37.2"	15.8 lb	CDXMC-KRKN-6CM-26
	6.5 Creedmoor	LONG	GROUP B (.480")	LRP	3 LUG, 60°	20 (30, 45)	DSSF 3.055"	10	MAG100-0040	Bartlein	16.5"	1:8"	5R	5/8"-24	MX1	± 36.5"	± 27.7"	13.4 lb	CDXMC-KRKN-6.5-165
	6.5 Creedmoor	LONG	GROUP B (.480")	LRP	3 LUG, 60°	20 (30, 45)	DSSF 3.055"	10	MAG100-0040	Bartlein	20"	1:8"	5R	5/8"-24	MX1	± 40.0"	± 31.2"	15.0 lb	CDXMC-KRKN-6.5-20
	6.5 Creedmoor	LONG	GROUP B (.480")	LRP	3 LUG, 60°	20 (30, 45)	DSSF 3.055"	10	MAG100-0040	Bartlein	24"	1:8"	5R	5/8"-24	MX1	± 44.0"	± 35.2"	15.8 lb	CDXMC-KRKN-6.5-24
	6.5 Creedmoor	LONG	GROUP B (.480")	LRP	3 LUG, 60°	20 (30, 45)	DSSF 3.055"	10	MAG100-0040	Bartlein	26"	1:8"	5R	5/8"-24	MX1	± 46.0"	± 37.2"	15.8 lb	CDXMC-KRKN-6.5-26
	308 Win	LONG	GROUP B (.480")	LRP	3 LUG, 60°	20 (30, 45)	DSSF 3.055"	10	MAG100-0040	Bartlein	16.5"	1:10"	5R	5/8"-24	MX1	± 36.5"	± 27.7"	13.4 lb	CDXMC-KRKN-308-165
	308 Win	LONG	GROUP B (.480")	LRP	3 LUG, 60°	20 (30, 45)	DSSF 3.055"	10	MAG100-0040	Bartlein	20"	1:11¼" or (1:10")	5R	5/8"-24	MX1	± 40.0"	± 31.2"	15.0 lb	CDXMC-KRKN-308-20
	308 Win	LONG	GROUP B (.480")	LRP	3 LUG, 60°	20 (30, 45)	DSSF 3.055"	10	MAG100-0040	Bartlein	24"	1:11¼" or (1:10")	5R	5/8"-24	MX1	± 44.0"	± 35.2"	15.8 lb	CDXMC-KRKN-308-24
	308 Win	LONG	GROUP B (.480")	LRP	3 LUG, 60°	20 (30, 45)	DSSF 3.055"	10	MAG100-0040	Bartlein	26"	1:11¼" or (1:10")	5R	5/8"-24	MX1	± 46.0"	± 37.2"	15.8 lb	CDXMC-KRKN-308-26
	7 PRC	LONG	GROUP C (.550")	LRP	3 LUG, 60°	20 (30, 45)	SSSF 3.850" CIP	5	MDT-3PR	Bartlein</									

ACTIONS TABLE

MODEL NAME	MODEL CODE	CALIBER	REM 700 CLONE	ACTION TYPE	BOLT BODY TYPE	PRIMER TYPE	BOLT STYLE	SAFETY SYSTEM	TOP RAIL MOA (1"= OPTIONAL)	AICS COMPATIBLE MAG	ACTION THREADS	RECOIL LUG THICKNESS	ACTION DIAMETER	ACTION LENGTH	APPROX. WEIGHT	PART NUMBERS
CDX-SS SEVEN S.T.A.R.S.	CDX-SS	STANDARD SA	YES	SHORT	GROUP A (.385")	SRP/LRP	3 LUG, 60°	REM STYLE	20	DSSF 3.055"	1-1/16-18 TPI	.250"	1.350"	7.850"	1.96 lb	CDXSS-STAR-ACT-SA-TA
		STANDARD SA	YES	SHORT	GROUP B (.480")	SRP/LRP	3 LUG, 60°	REM STYLE	20	DSSF 3.055"	1-1/16-18 TPI	.250"	1.350"	7.850"	1.96 lb	CDXSS-STAR-ACT-SA-TB
CDX-R7 SA	CDX-R7 SA	STANDARD SA	YES	SHORT	GROUP B (.480")	LRP	4 LUG, 50°	REM STYLE	0 or (20, 30)	DSSF 3.055"	1-1/16-18 TPI	.250"	1.350"	7.850"	2.08 lb	CDXR7-HUNT-ACT-SA-TB
		MAGNUM SA	YES	SHORT	GROUP C (.550")	LRP	4 LUG, 50°	REM STYLE	0 or (20, 30)	DSSF 3.055"	1-1/16-18 TPI	.250"	1.350"	7.850"	2.08 lb	CDXR7-HUNT-ACT-SA-TC
		STANDARD LA	YES	LONG	GROUP B (.480")	LRP	4 LUG, 50°	REM STYLE	0 or (20, 30)	SSSF 3.715", 3.775" or 3.850" CIP	1-1/16-18 TPI	.250"	1.350"	8.700"	2.26 lb	CDXR7-HUNT-ACT-LA-TB
CDX-R7 (HUNTING) LA	CDX-R7 LA	MAGNUM LA	YES	LONG	GROUP C (.550")	LRP	4 LUG, 50°	REM STYLE	0 or (20, 30)	SSSF 3.715", 3.775" or 3.850" CIP	1-1/16-18 TPI	.250"	1.350"	8.700"	2.26 lb	CDXR7-HUNT-ACT-LA-TC
		SUPER MAGNUM LA	YES	LONG	GROUP D (.600")	LRP	4 LUG, 50°	REM STYLE	0 or (20, 30)	SSSF 3.715", 3.775" or 3.850" CIP	1-1/16-18 TPI	.250"	1.350"	8.700"	2.26 lb	CDXR7-HUNT-ACT-LA-TD
		STANDARD SA	YES	SHORT	GROUP B (.480")	LRP	4 LUG, 50°	REM STYLE	20 or (0, 30)	DSSF 3.055"	1-1/16-18 TPI	.250"	1.350"	7.850"	2.38 lb	CDXR7-SDOG-ACT-TB
CDX-R7 SHP	CDX-R7 SHP SA	MAGNUM SA	YES	SHORT	GROUP C (.550")	LRP	4 LUG, 50°	REM STYLE	20 or (0, 30)	DSSF 3.055"	1-1/16-18 TPI	.250"	1.350"	7.850"	2.38 lb	CDXR7-SDOG-ACT-TC
		STANDARD LA	YES	LONG	GROUP B (.480")	LRP	4 LUG, 50°	REM STYLE	20 or (0, 30)	SSSF 3.715", 3.775" or 3.850" CIP	1-1/16-18 TPI	.250"	1.350"	8.700"	2.57 lb	CDXR7-SHPD-ACT-TB
	CDX-R7 SHP LA	MAGNUM LA	YES	LONG	GROUP C (.550")	LRP	4 LUG, 50°	REM STYLE	20 or (0, 30)	SSSF 3.715", 3.775" or 3.850" CIP	1-1/16-18 TPI	.250"	1.350"	8.700"	2.57 lb	CDXR7-SHPD-ACT-TC
		SUPER MAGNUM LA	YES	LONG	GROUP D (.600")	LRP	4 LUG, 50°	REM STYLE	20 or (0, 30)	SSSF 3.715", 3.775" or 3.850" CIP	1-1/16-18 TPI	.250"	1.350"	8.700"	2.57 lb	CDXR7-SHPD-ACT-TD
CDX-30	CDX-30	STANDARD SA	NO	LONG	GROUP B (.480")	LRP	3 LUG, 60°	ON SHROUD	20	DSSF 3.055"	1-1/16-18 TPI	.350"	1.550"	9.000"	3.07 lb	CDX30-GUAR-ACT-TB
CDX-300	CDX-300	MAGNUM LA	NO	LONG	GROUP C (.550")	LRP	3 LUG, 60°	ON SHROUD	20	SSSF 3.715", 3.775" or 3.850" CIP	1-1/16-18 TPI	.350"	1.550"	9.000"	3.07 lb	CDX300-FREE-ACT-TC
CDX-33	CDX-33	SUPER MAGNUM LA	NO	LONG	GROUP D (.600")	LRP	3 LUG, 60°	ON SHROUD	20	SSSF 3.715", 3.775" or 3.850" CIP	1-1/16-18 TPI	.350"	1.550"	9.000"	3.07 lb	CDX33-PATR-ACT-TD
CDX-33SS	CDX-33SS	SUPER MAGNUM LA	NO	LONG	GROUP D (.600")	LRP	3 LUG, 60°	ON SHROUD	20	NOT COMPATIBLE	1-1/16-18 TPI	.350"	1.550"	9.000"	3.07 lb	CDX33SS-PATR-ACT-TD
CDX-40 SHDW	CDX-40 SHDW	XL ACTION	NO	XL	GROUP E (.670")	LRP	3 LUG, 60°	ON SHROUD	20	CADEX ONLY	1-3/16"-18 TPI	.350"	1.600"	10.000"	3.81 lb	CDX40-SHDW-ACT-TE
CDX-40SS SHDW	CDX-40SS SHDW	SINGLE SHOT XL ACTION	NO	XL	GROUP E (.670")	LRP	3 LUG, 60°	ON SHROUD	20	NOT COMPATIBLE	1-3/16"-18 TPI	.350"	1.600"	10.000"	4.18 lb	CDX40SS-SHDW-ACT-TE
CDX-50 TREMOR®	CDX-50 TRMR	XL ACTION	NO	XL	GROUP F (.825")	50 BMG	4 LUG, 50°	ON SHROUD	20	CADEX ONLY	1-1/2"-18 TPI	.420"	1.960"	11.900"	5.78 lb	CDX50-TRMR-ACT-TF
CDX-50SS TREMOR®	CDX-50SS TRMR	SINGLE SHOT XL ACTION	NO	XL	GROUP F (.825")	50 BMG	4 LUG, 50°	ON SHROUD	20	NOT COMPATIBLE	1-1/2"-18 TPI	.420"	1.960"	11.900"	6.45 lb	CDX50SS-TRMR-ACT-TF
LEFT HANDED ACTION																
CDX-R7 SHP	CDX-R7 SHP LEFT	STANDARD SA	YES	SHORT	GROUP B (.480")	LRP	4 LUG, 50°	REM STYLE	20	DSSF 3.055"	1-1/16-18 TPI	.250"	1.350"	7.850"	2.38 lb	CDXR7-LH-SDOG-ACT-TB
		MAGNUM SA	YES	SHORT	GROUP C (.550")	LRP	4 LUG, 50°	REM STYLE	20	DSSF 3.055"	1-1/16-18 TPI	.250"	1.350"	7.850"	2.38 lb	CDXR7-LH-SDOG-ACT-TC



Multiple action colors available. See all variants available at P. 33-34

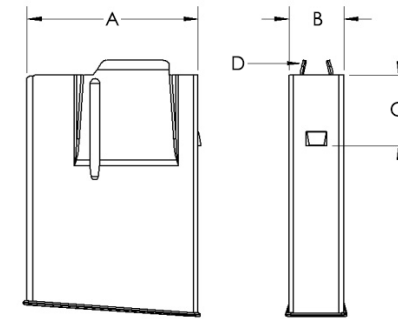
DISCLAIMER: Too many components are involved to accurately predict the final weight of a rifle. It is impossible to confirm the weight of all our rifle models because it varies depending on each caliber.

MAGAZINE FITMENT vs CHASSIS SYSTEMS

Cadex chassis systems are designed for standard AICS pattern magazines. We optimized our chassis models for Accurate-Mag® magazines as their dimensions replicate best the original AICS design and their tolerances are tighter than most other aftermarket models. Some other companies choose to deviate from the original design, which is out of our control and may lead to some unexpected fitment or feeding issues.

AICS DSSF example

- A- LENGTH: 3.055"
- B- WIDTH: 0.970"
- C- CATCH HEIGHT: 1.360"
- D- LIPS WIDTH: 0.040"



AVERAGE MAGAZINE DIMENSIONS / DEVIATION FROM AICS STD

MANUFACTURER	MATERIAL	LENGTH (IN.) / DEVIATION	WIDTH (IN.) / DEVIATION	CATCH HEIGHT (IN.) / DEVIATION
Accurate-Mag® (recommended model)	Metal	3.054 / -0.001	0.966 / -0.004	1.360 / 0.000
AI®	Metal	3.059 / +0.004	0.967 / -0.003	1.358 / -0.002
Magpul®	Polymer	3.069 / +0.014	0.970 / 0.000	1.370 / +0.010
MDT®	Metal	3.061 / +0.006	0.969 / -0.001	1.358 / -0.002
MDT®	Polymer	3.067 / +0.012	0.991 / +0.021	1.390 / +0.030

*Any major deviation from the aforementioned AICS dimensions may cause magazine fitment and feeding issues. You may use other magazine brands and models at your own risk.

AVERAGE AICS RIMFIRE 22 LR MAGAZINE DIMENSIONS

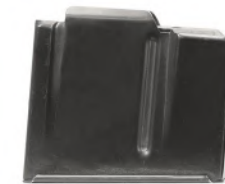
MANUFACTURER	MATERIAL	LENGTH (IN.)	WIDTH (IN.)	CATCH HEIGHT (IN.)
RimX	Metal	3.055	0.965	1.175-1.295 (adjustable)
Bergara	Polymer	3.055	0.952	1.315
Vudoo	Metal	3.049	0.959	1.224
Vudoo	Polymer	3.028	0.949	1.227

*The Strike PRO chassis is compatible with above magazine when combined with rimfire specific detachable base.

RECOMMENDED MODEL



Accurate-Mag® (metal)



AI® (metal)



Magpul® (polymer)



MDT® (metal)



MDT® (polymer)

RIMFIRE 22 LR EXAMPLE



RimX model (metal)

PROMOTIONAL MATERIALS

CADEX HOODIES - Part#: 8005-(size)

- NEW** • High quality black hoodie • 50% Cotton / 50% Polyester



CADEX BANNERS - EXTRA LARGE 20'

- Heavy duty banner fabrics • Grommets all around • 240" x 60" (20' long)



Part#: BANNER-240-60-A



Part#: BANNER-240-60-B



Part#: BANNER-240-60-C

CADEX RIFLE CLEANING MATS - Part#: CLEAN-MAT-A

- 48" x 14"
- 5mm thickness
- Non-slip textured rubber base
- Stain-resistant and easy to clean
- Waterproof and humidity-resistant



CADEX KEY TAGS

Part#: KEYTAG-CDX

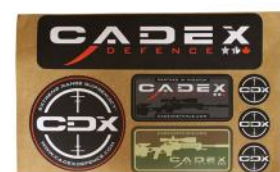
Black woven key tag with Cadex logo embroidery on both sides - 5" x 1"



CADEX STICKER SHEETS

Part#: 420-00029-CAD

High Tack adhesive with mat lamination for UV protection



CADEX COLLECTIBLE CAR PLATES

Part#: 175-00244-CAR

Embossed with premium protective glossy coating - 12" x 6"



CADEX BANNERS - LARGE OR SMALL

- Heavy duty banner fabrics
- Grommets all around
- Large - 60" x 40" (Part#: BANNER-60-40-A)
- Small - 24" x 16" (Part#: BANNER-24-16-A)



PROMOTIONAL MATERIALS

CADEX T-SHIRTS - Part#: 8001-(size)

- High quality black t-shirt • 50% Cotton / 50% Polyester
- Also available for women, 100% Cotton Part#: 8002-(size)



CADEX PROUD SUPPORTER T-SHIRTS - Part#: 8003-(size)

- Perfect for PRS competition • 100% Polyester
- Also available for women Part#: 8004-(size)



CADEX CAPS - Part#: 8101-OS

Black cap with embroidered "Cadex Defence" logo on the front and "Extreme Range Supremacy" on the back.



CHAMBER FLAGS - Part#: 175-00075-FLG

- Brightly orange color with Cadex logo on both sides
- Large bore reinforced



MOUSE PADS - Part#: MPAD-DEF

- 9.25" x 7.75"
- 3mm thickness
- Non-slip textured rubber base
- Stain-resistant and easy to clean
- Waterproof and humidity-resistant



REUSABLE BAGS - Part#: 420-00030-BLK

- Non-woven fabric (100g)
- Rated max 30 lb (14 kg)



Dimensions:
13" x 3.5" x 14.5"
33 x 9 x 36 cm

PVC PATCHES



Part#: 420-00026-BLK

Part#: 420-00027-CAM

Part#: 420-00028-BLK



Serge Dextraze
President/CEO

Message from the president

"For over 25 years, Cadex has designed and manufactured an extensive line of high quality and premium products for Special Operations, Military, Law Enforcement and Civilians across the globe. In each field of operation, we bring to you a team of specialized and dedicated professionals. Ready to guide you forward and best supporting your multiple mission requirements. We would like to thank our long standing customer base for their ongoing trust and support."



Patrice Picard
Sales & Marketing Director
Canada Office: 1-888-348-6774
Cell: 514-821-7983
patrice@cadexinc.com



Robert Pettorsson
USA
USA Sales and Marketing Manager
Satellite Office: Phoenix
Cell: 623-810-6591
robert.p@cadexinc.com



Alexander Carlson
USA
Sales Representative
Satellite Office: Spotsylvania
Cell: 910-605-8298
alexander.carlson@cadexinc.com



Jamie Barkwell
Canada
Sales Representative
Canada Office: 450-348-6774
Cell: 514-863-0910
customerservice@cadexinc.com



Mark Gendreau
Canada
Sales Representative
Canada Office: 450-348-6774
customerservice@cadexinc.com

CUSTOMERS' PICTURES

Do not hesitate to send us pictures of your builds at marketing@cadexinc.com so that we can showcase them on our website and social media! And thanks a lot to those who already did!



**If you appreciate
Cadex products,
please take
a minute to let us
know at
customerservice@cadexinc.com**

Follow us!



****In case of disparity between the catalog and the website, the information presented on the website has priority****

EXTREME RANGE SUPREMACY®



CADEX DEFENCE

**755 ave. Montrichard,
Saint-Jean-sur-Richelieu, QC, Canada J2X 5K8
Tel: 450-348-6774 • Fax: 450-348-7157
Toll free: 1 888 348-6774**

CADEX DEFENSE CORP

**107 Robin Hood Dr,
Swanton, VT 05488, United States
Tel: 802-466-4003 • Fax: 450-348-7157
Toll free: 1 888 348-6774**

WWW.CADEXDEFENCE.COM



WWW.C3DEXDEFENCE.COM